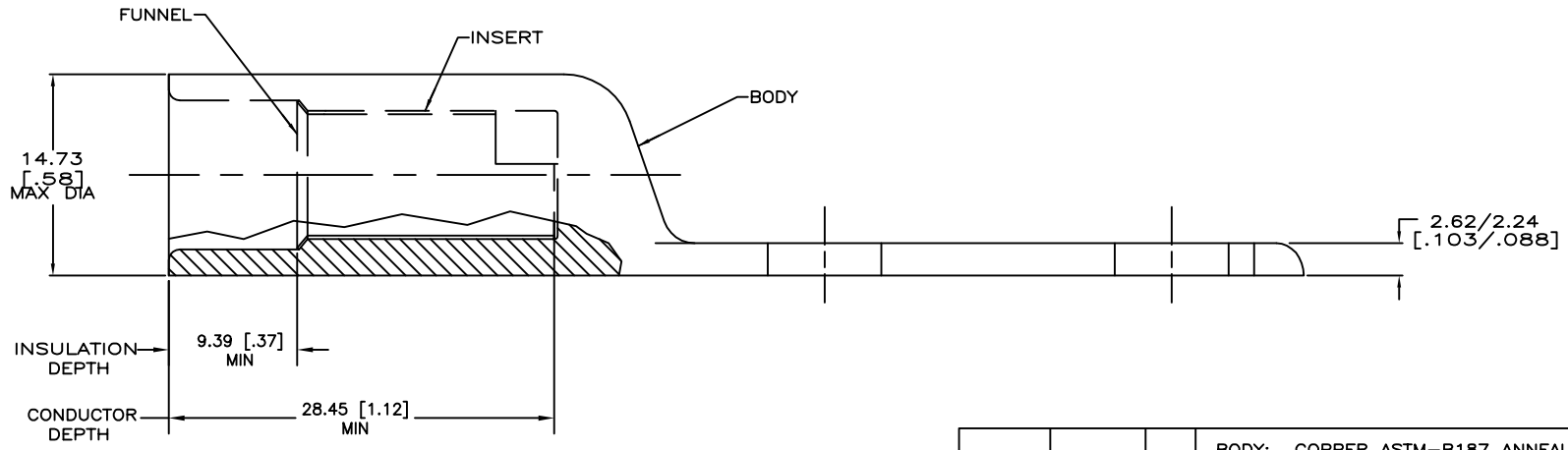
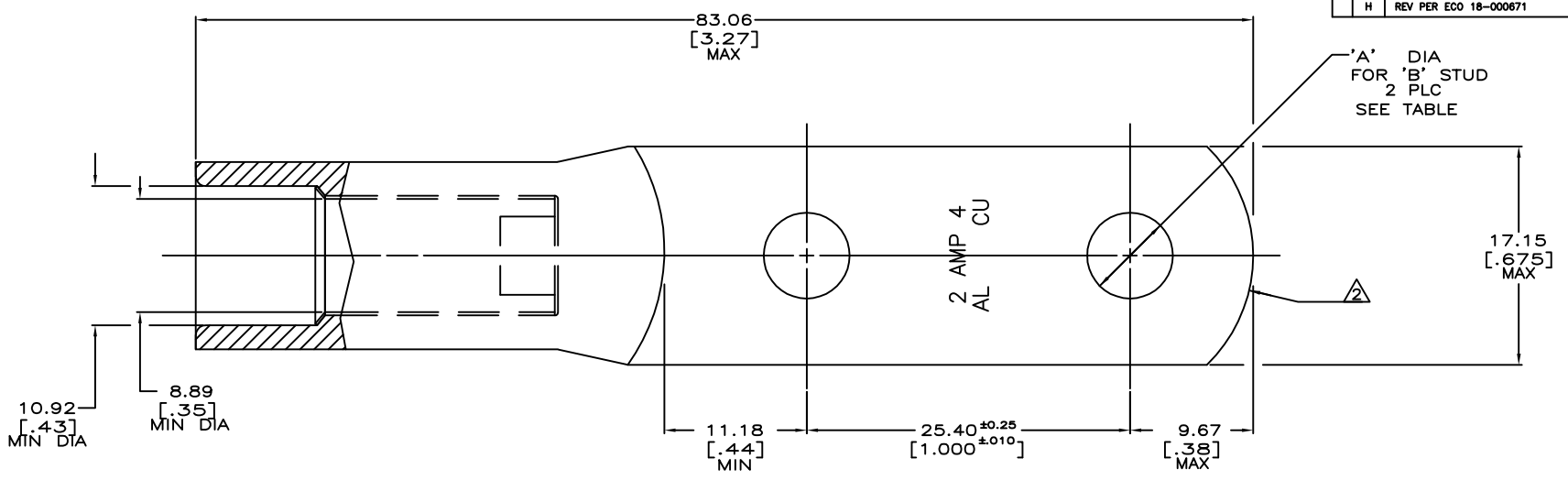


THIS DRAWING IS UNPUBLISHED. RELEASED FOR PUBLICATION  
 © COPYRIGHT - By - ALL RIGHTS RESERVED.

REVISIONS					
#	LTR	DESCRIPTION	DATE	DRW	APPD
1	H	REV PER ECO 18-000671	2-16-18	CT	PD



43 GRAMS	9.9 <sup>+0.13</sup> [.390 ±.008]	3/8	<b>BODY:</b> COPPER ASTM-B187 ANNEALED TIN PL MIL-T-10727 0.00457[.000150] MIN THK <b>INSERT &amp; FUNNEL:</b> BRASS PER ASTM B36 NICKEL PLATE SAE AMS QQ-N-290A, DATED JULY 2000, 0.00254 [.000100] MIN THK	55835-2
44 GRAMS	6.73 <sup>+0.13</sup> [.265 ±.008]	1/4		55835-1
WEIGHT	"A"	"B"	MATERIAL AND FINISH	PART NO.

1 WIRE INSULATION: 8.64[.340] - 9.65[.380] DIA  
 △ THE TONGUE RADIUS FEATURE IS NOT A TOOLING CONTROLLED DIMENSION AND MAY NOT BE A TRUE RADIUS.

THIS DRAWING IS A CONTROLLED DOCUMENT.		DRW: DK SCHRUM 6/15/92	TE Connectivity
DIMENSIONS: MM [ INCHES ]		CHK: WJ VOCKROTH 6/16/92	
TOLERANCES UNLESS OTHERWISE SPECIFIED:		APPD: AJ KAUFMAN 6/16/92	WIRE TERMINAL, COPALUM SEALED, RING TONGUE, WIRE SIZE: 2 AL, 4 COPPER
0 PLC ± - 1 PLC ± - 2 PLC ± - 3 PLC ± - 4 PLC ± - ANGLES ± -		NAME: AJ KAUFMAN	
MATERIAL: SEE TABLE		FINISH: SEE TABLE	RESTRICTED TO: -
APPLICATION SPEC: 108-11011		SIZE: 114-2134	SCALE: 4:1
WEIGHT: 0.000000		SIZE: A2	SHEET: 1 of 1
CUSTOMER DRAWING		WEIGHT: 0.000000	REV: H
		CAGE CODE: 00779	
		©=55835	

单击下面可查看定价，库存，交付和生命周期等信息

[>>TE Connectivity\(泰科\)](#)