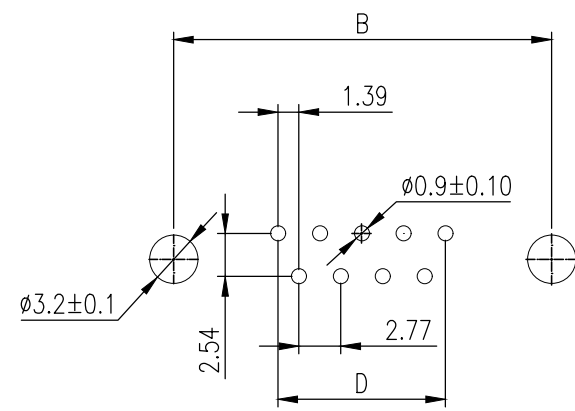
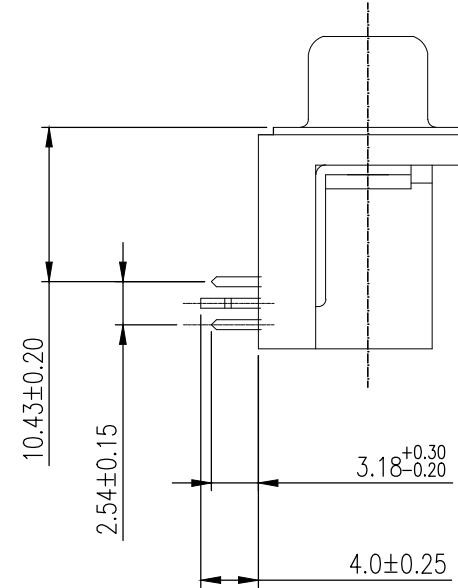
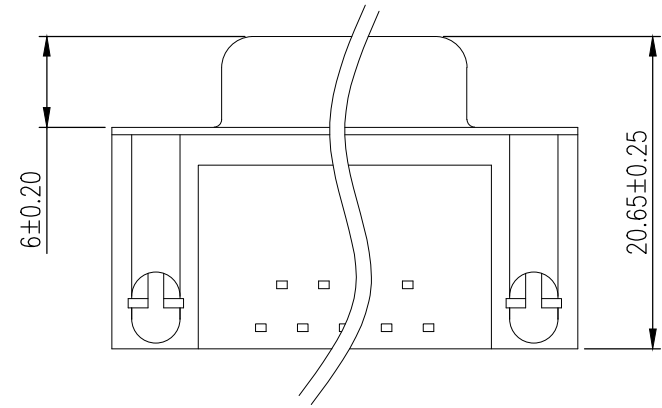
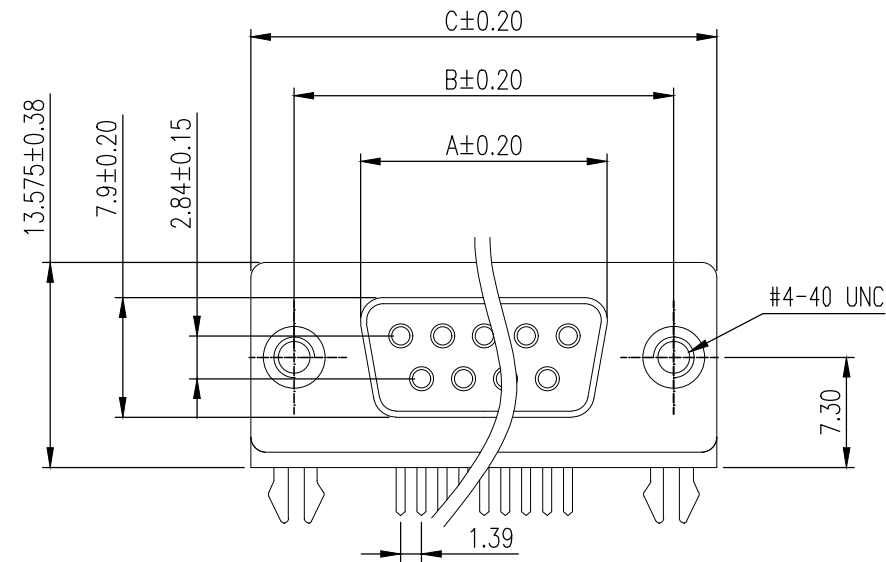


THIS DRAWING IS UNPUBLISHED. RELEASED FOR PUBLICATION  
 © COPYRIGHT - By - ALL RIGHTS RESERVED.

REVISIONS					
P	LTR	DESCRIPTION	DATE	DWN	APVD
	H	REVISED PER ECO-18-009360	15JUN2018	AP	DG



P.C.B LAYOUT

PRAT NUMBER	No. of Contact	A ±0.20	B ±0.20	C ±0.20	D
2301845-1	15	24.76	33.32	39.14	19.39

NOTE:

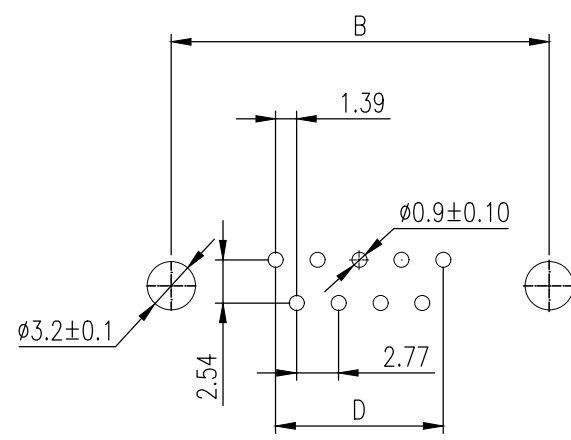
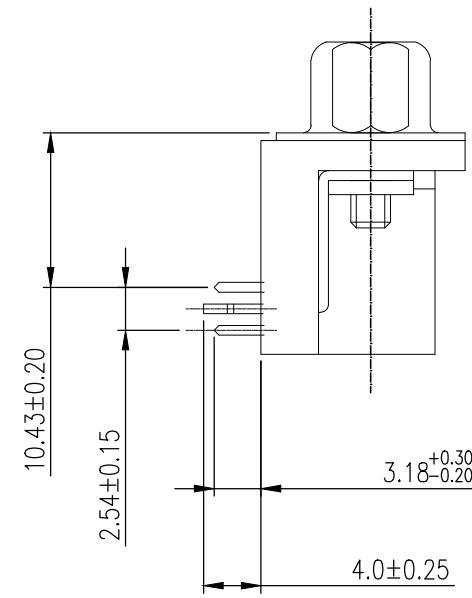
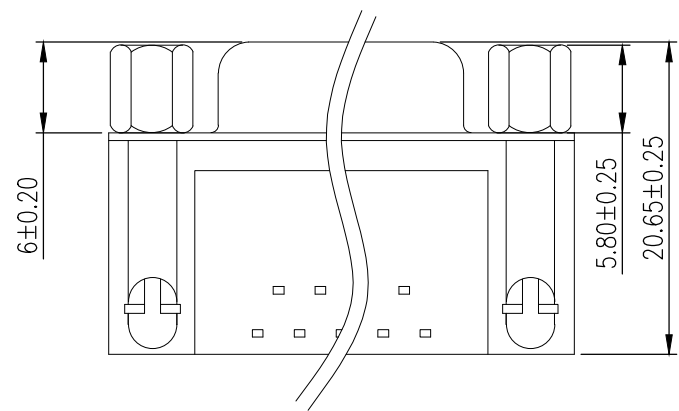
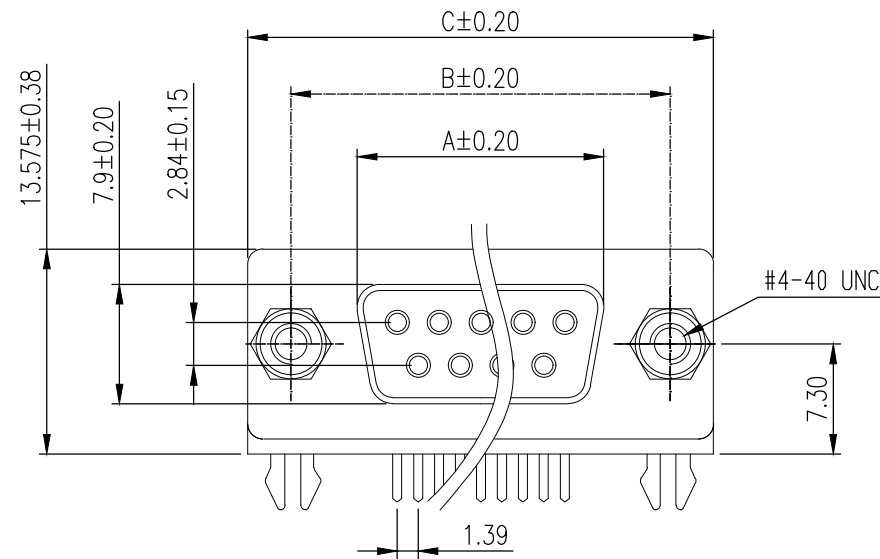
- MATERIAL:  
 HOUSING: PBT WITH 20% GF UL 94 V-0, BLACK COLOR  
 CONTACTS: PHOSPHOR BRONZE.  
 SHELL: STEEL  
 GROUNDING BRACKET: BRASS  
 RIVETED INSERT: BRASS  
 SCREWLOCK: BRASS
- FINISH:  
 CONTACTS: 0.36 μm [15 μ"] GOLD IN CONTACT AREA.  
 2.54 μm [100 μ"] MATTE TIN ON SOLDER TAILS  
 1.27 μm [50 μ"] NICKEL UNDERPLATE OVERALL  
 SHELL: 2.54 μm [100 μ"] NICKEL  
 RIVET: 1.27 μm [50 μ"] NICKEL  
 SCREWLOCK: 1.27 μm [50 μ"] NICKEL  
 BOARDLOCK: 1.27 μm [50 μ"] MIN NICKEL UNDERPLATE.  
 2.54 μm [100 μ"] MIN MATTE TIN PLATE
- WAVE SOLDER CAPABLE TO 265°C PER TE TEST SPEC. 109-202, CONDITION B.

2301845

THIS DRAWING IS A CONTROLLED DOCUMENT.		DWN	AJITH PAI	07FEB2017	15W D SKT W B/L & 4-40 INSERTS		2301845-1
DIMENSIONS: mm		CHK	DAN GORENC	07FEB2017	DESCRIPTION		TE PART NO
TOLERANCES UNLESS OTHERWISE SPECIFIED:		APVD	-	07FEB2017			
0 PLC ± -		PRODUCT SPEC	108-130013		NAME		15 WAY D-SUB SOCKET WITH BOARD LOCK
1 PLC ± 0.38		APPLICATION SPEC	-		SIZE	CAGE CODE	DRAWING NO
2 PLC ± 0.25		WEIGHT	0		A2	00779	C=2301845
3 PLC ± 0.10		CUSTOMER DRAWING	-		SCALE	SHEET	1 OF 4
4 PLC ± -			-		2:1	REV	H
ANGLES ± 2°			-				
FINISH			-				

THIS DRAWING IS UNPUBLISHED. RELEASED FOR PUBLICATION  
 © COPYRIGHT - By - ALL RIGHTS RESERVED.

REVISIONS					
P	LTR	DESCRIPTION	DATE	DWN	APVD
-	-	SEE SHEET 1	-	-	-



P.C.B LAYOUT

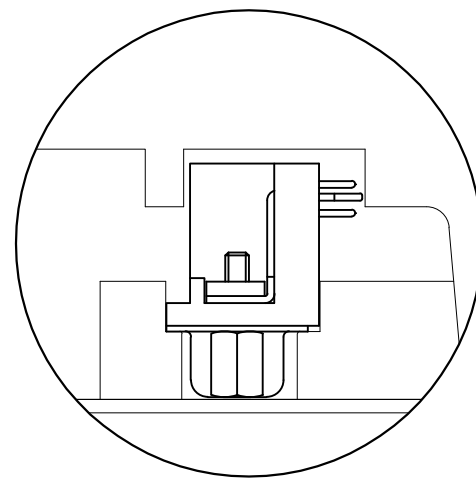
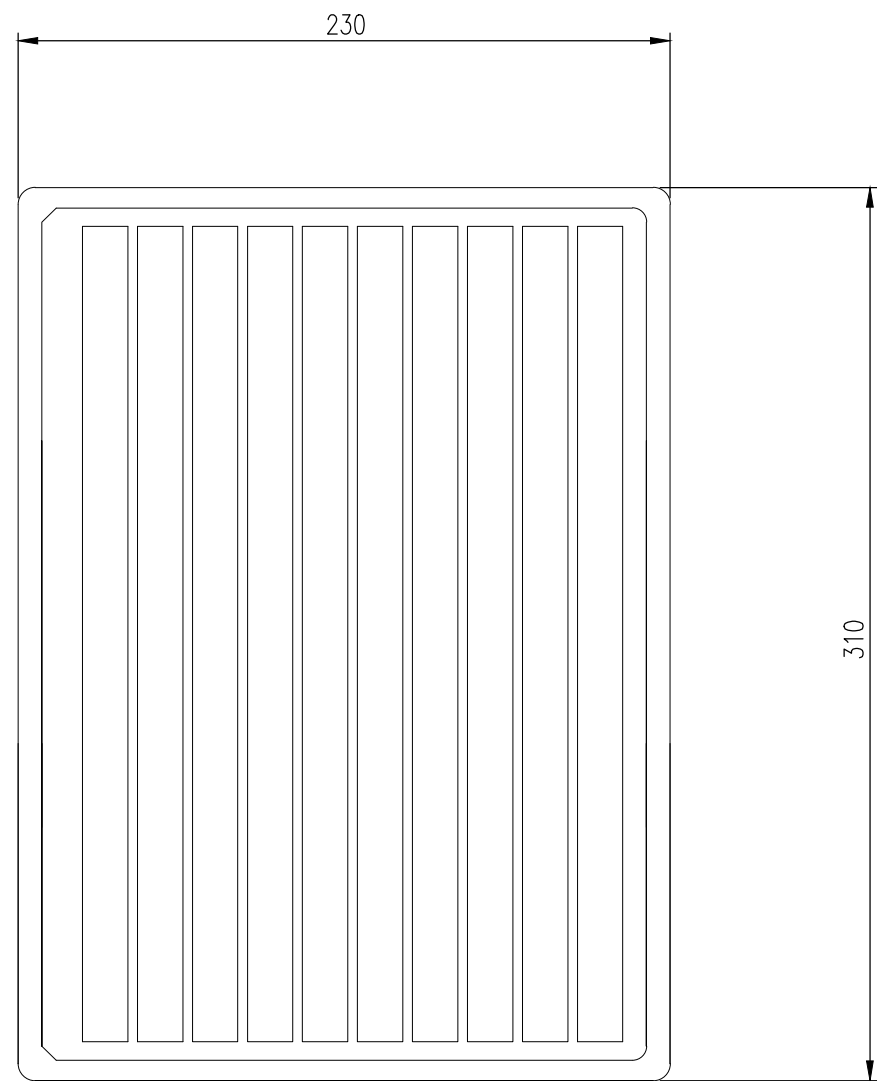
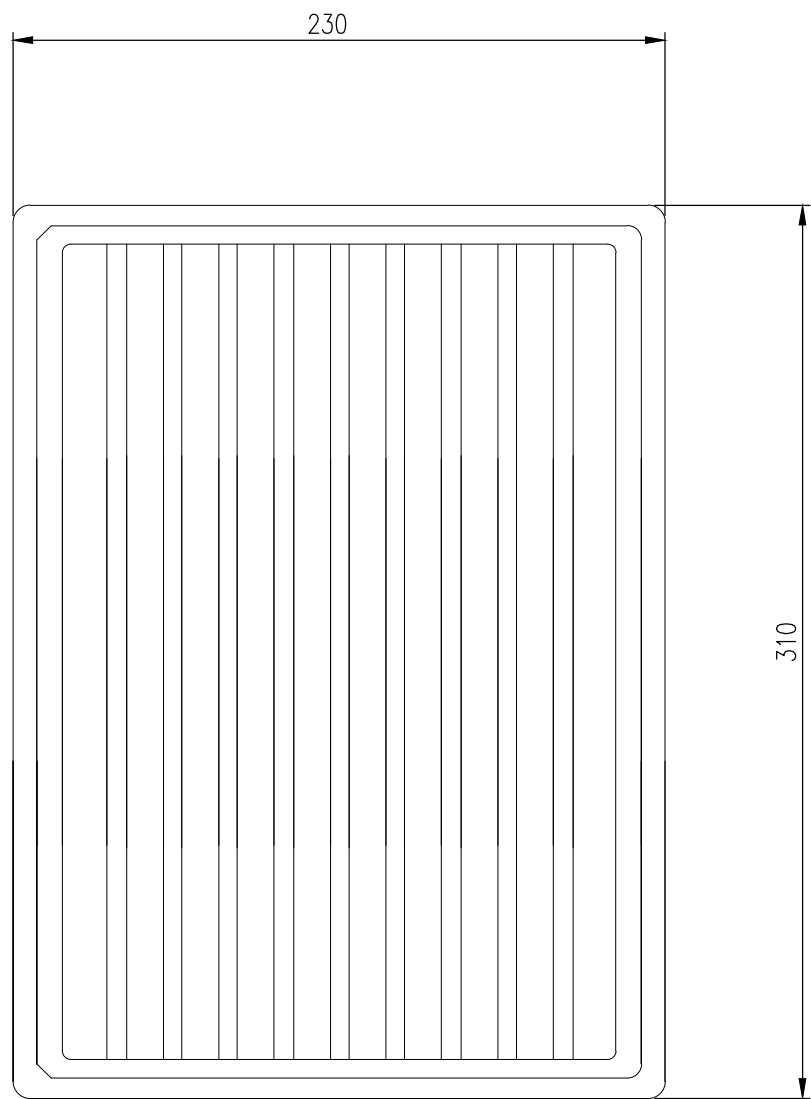
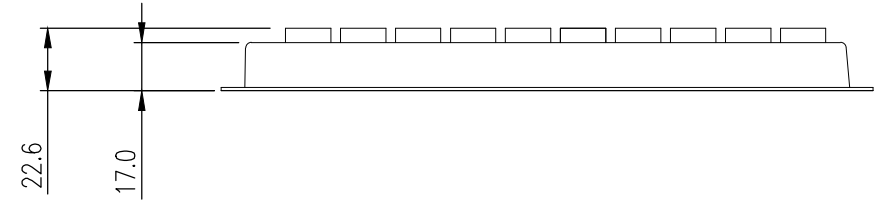
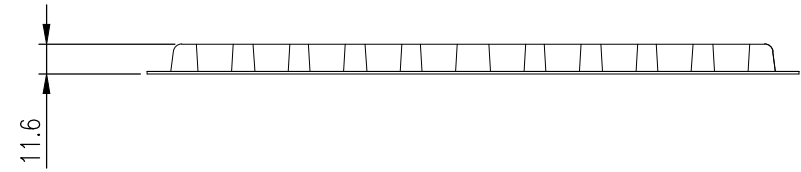
PRAT NUMBER	No. of Contact	A ±0.20	B ±0.20	C ±0.20	D
2301845-2	15	24.76	33.32	39.14	19.39

2301845

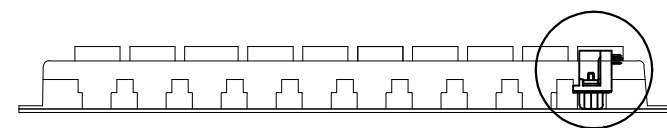
THIS DRAWING IS A CONTROLLED DOCUMENT.		DWN	AJITH PAI	07FEB2017	15W D SKT W B/L & 4-40 S/LOCK 15U" GOLD		2301845-2
DIMENSIONS: mm		CHK	DAN GORENC	07FEB2017	DESCRIPTION		TE PART NO
TOLERANCES UNLESS OTHERWISE SPECIFIED:		APVD	-	07FEB2017			<b>15 WAY D-SUB SOCKET WITH BOARD LOCK</b>
0 PLC ± -		PRODUCT SPEC	108-130013	NAME			
1 PLC ± 0.38		APPLICATION SPEC	-	SIZE	A2	CAGE CODE	00779
2 PLC ± 0.25		WEIGHT	0	DRAWING NO	C=2301845		RESTRICTED TO
3 PLC ± 0.10		CUSTOMER DRAWING		SCALE	2:1		SHEET
4 PLC ± -							2 of 4
ANGLES ± -							REV
FINISH							H

THIS DRAWING IS UNPUBLISHED. RELEASED FOR PUBLICATION  
 © COPYRIGHT - By - ALL RIGHTS RESERVED.

REVISIONS				
P	LTR	DESCRIPTION	DATE	APVD
-	-	SEE SHEET 1	-	-



DETAIL A

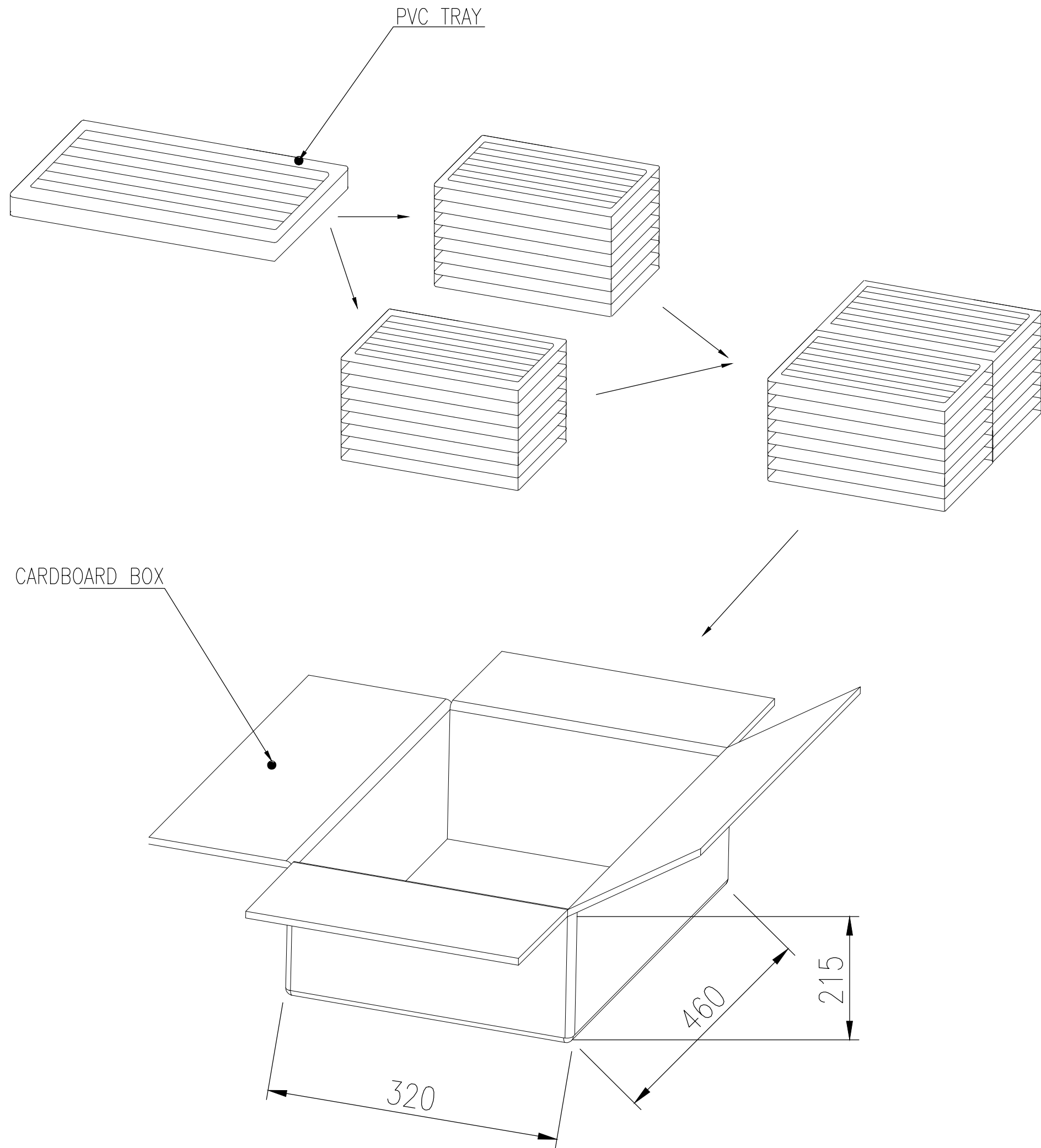


DETAIL A

THIS DRAWING IS A CONTROLLED DOCUMENT.		DWN AJITH PAI 07FEB2017		
		CHK DAN GORENC 07FEB2017		
		APVD - 07FEB2017	NAME	
DIMENSIONS: mm		PRODUCT SPEC 108-130013	15 WAY D-SUB SOCKET WITH BOARD LOCK	
TOLERANCES UNLESS OTHERWISE SPECIFIED:		APPLICATION SPEC	SIZE A2	RESTRICTED TO
0 PLC ± -		WEIGHT 0	CAGE CODE 00779	DRAWING NO C=2301845
1 PLC ± 0.38		SCALE 3:1		SHEET 3 of 4
2 PLC ± 0.25		CUSTOMER DRAWING		REV H
3 PLC ± 0.10				
4 PLC ± -				
ANGLES ± -				
MATERIAL -				
FINISH -				

THIS DRAWING IS UNPUBLISHED. RELEASED FOR PUBLICATION  
 © COPYRIGHT - By - ALL RIGHTS RESERVED.

REVISIONS					
P	LTR	DESCRIPTION	DATE	DWN	APVD
-	-	SEE SHEET 1	-	-	-



15.438	13.418	70	16	1120	2301845-2
13.422	11.402	70	16	1120	2301845-1
GROSS WEIGHT (Kg)	NET WEIGHT (Kg)	PCS/TRAY	TRAYS /CARTON	QUANTITY Pcs	PART NUMBER

THIS DRAWING IS A CONTROLLED DOCUMENT.		DWN AJITH PAI 07FEB2017			
DIMENSIONS: mm		CHK DAN GORENC 07FEB2017			
TOLERANCES UNLESS OTHERWISE SPECIFIED:		APVD - 07FEB2017	NAME 15 WAY D-SUB SOCKET WITH BOARD LOCK		
0 PLC ± -		PRODUCT SPEC 108-130013	SIZE A2	CAGE CODE 00779	DRAWING NO C=2301845
1 PLC ± 0.38		APPLICATION SPEC -	RESTRICTED TO -		
2 PLC ± 0.25		WEIGHT 0	SCALE 1:1		
3 PLC ± 0.10		CUSTOMER DRAWING	SHEET 4 of 4		REV H
4 PLC ± -					
ANGLES ± -					
FINISH -					

2301845

单击下面可查看定价，库存，交付和生命周期等信息

[>>TE Connectivity\(泰科\)](#)