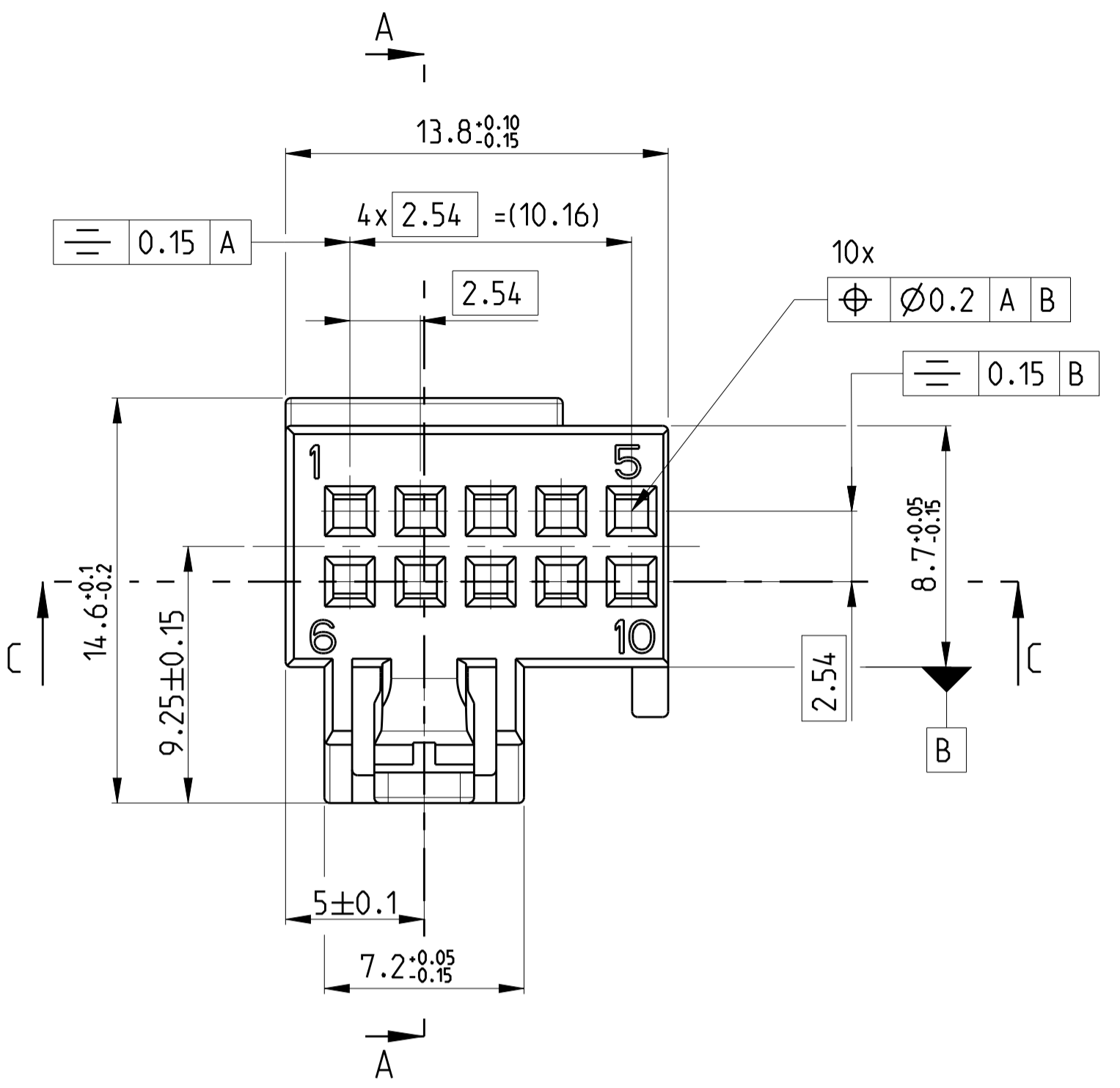
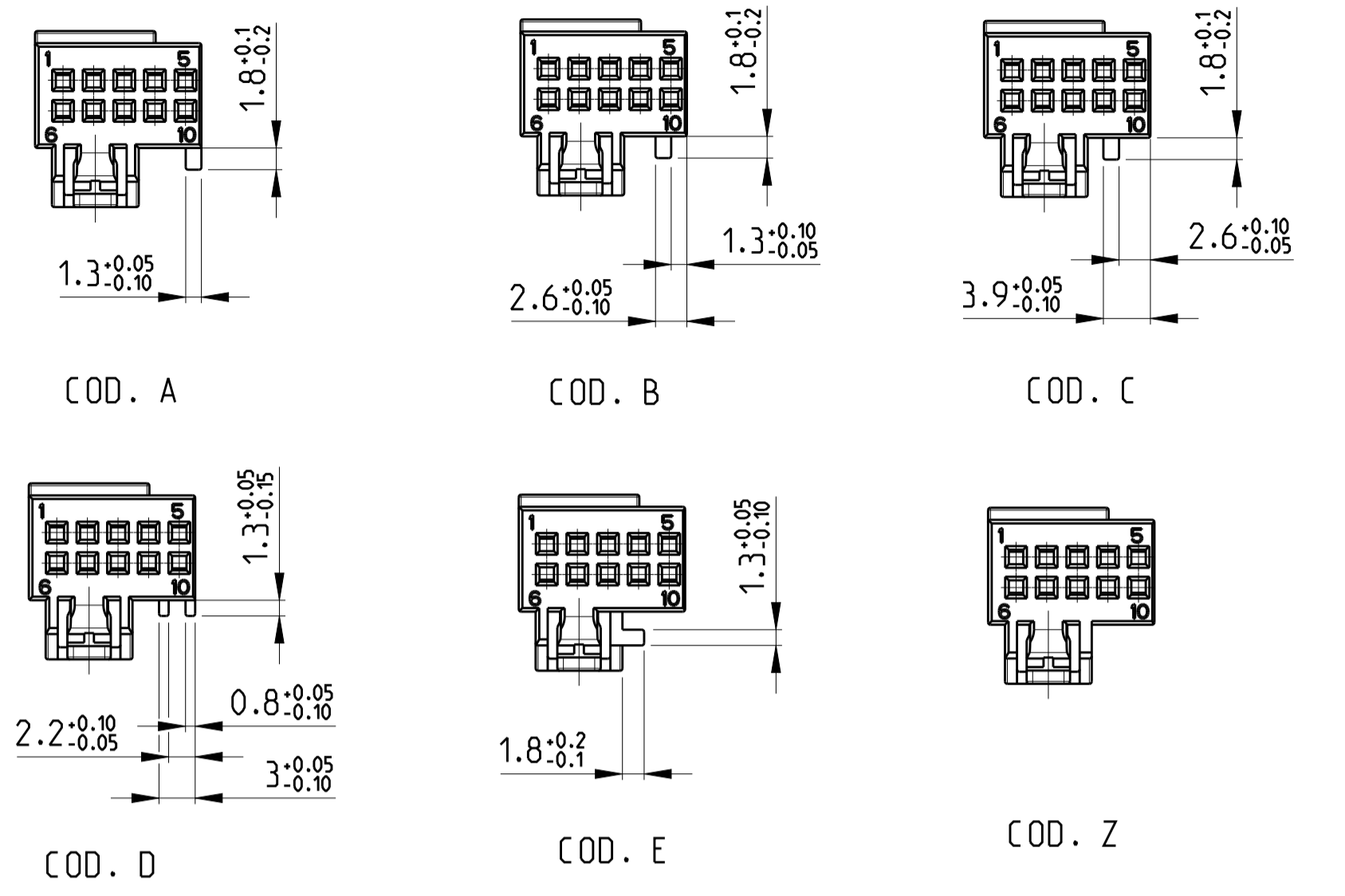
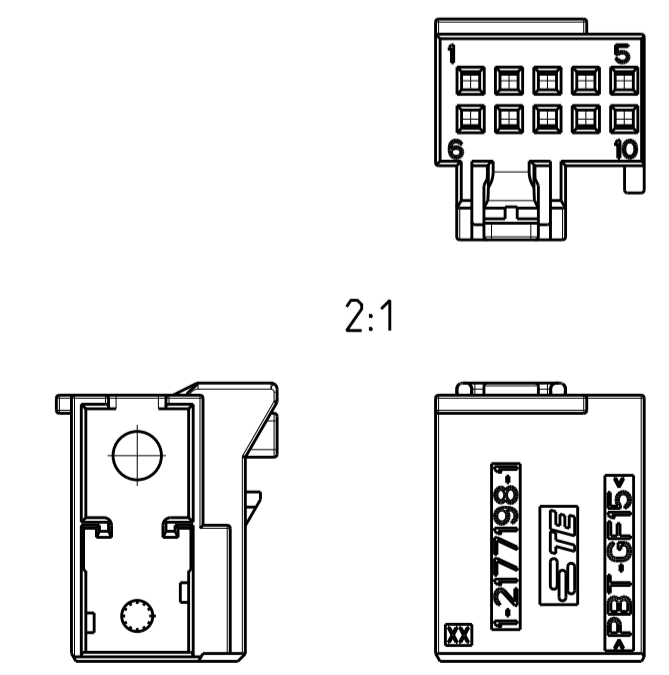
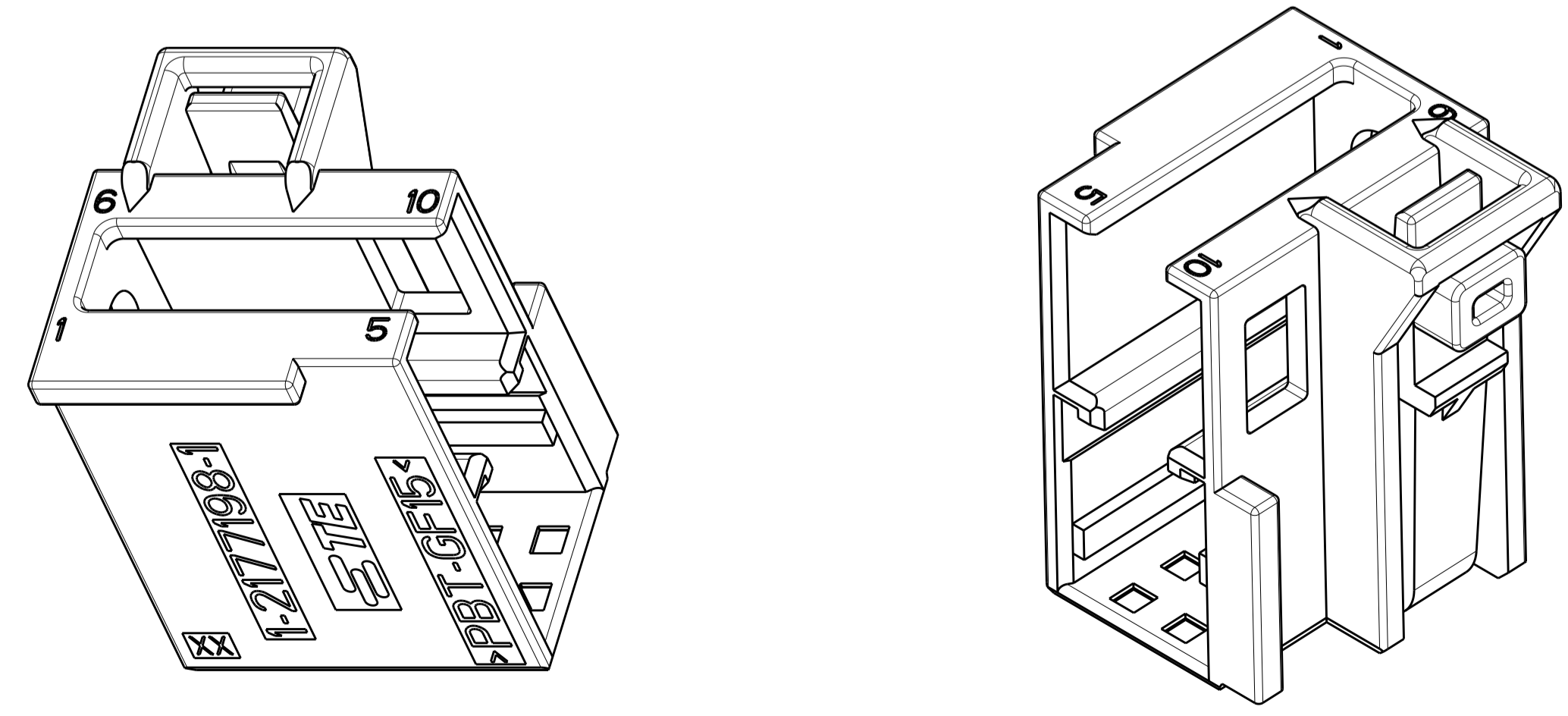
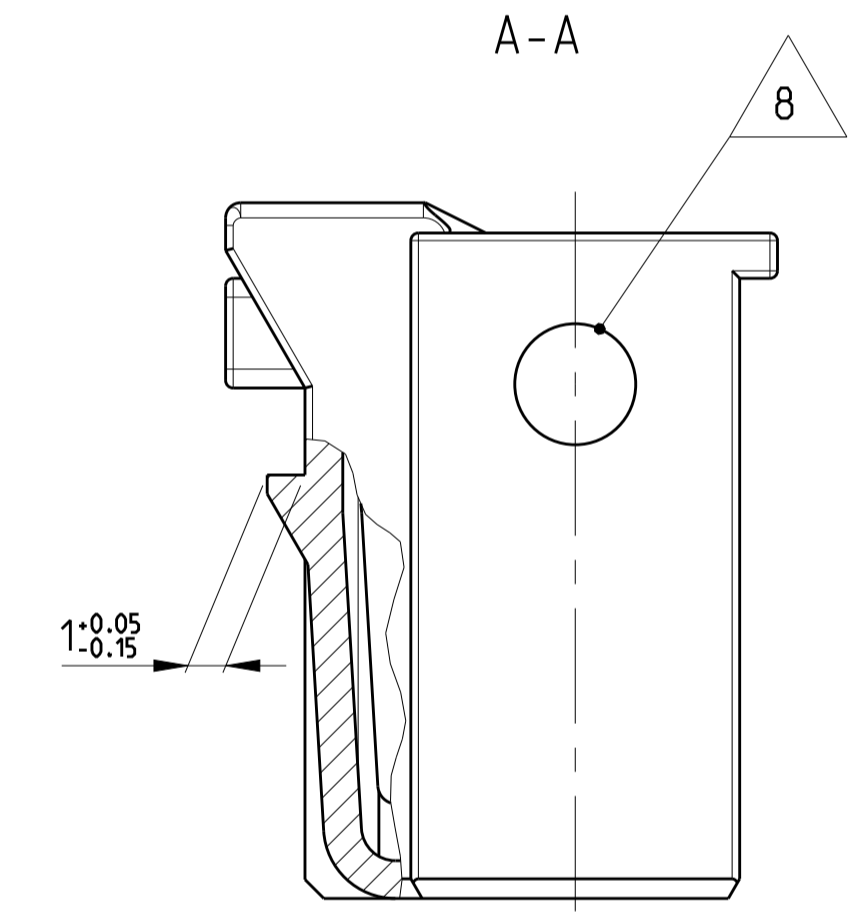
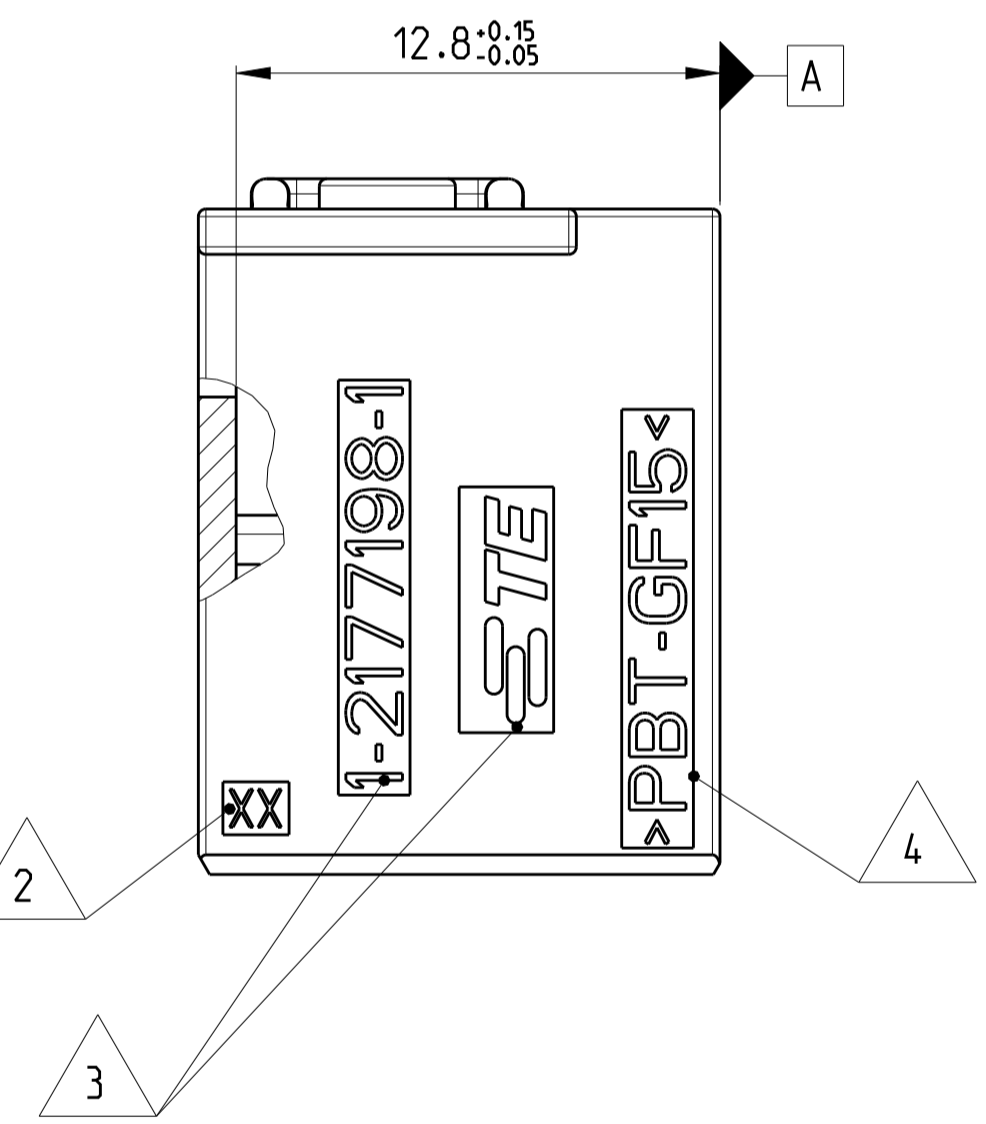
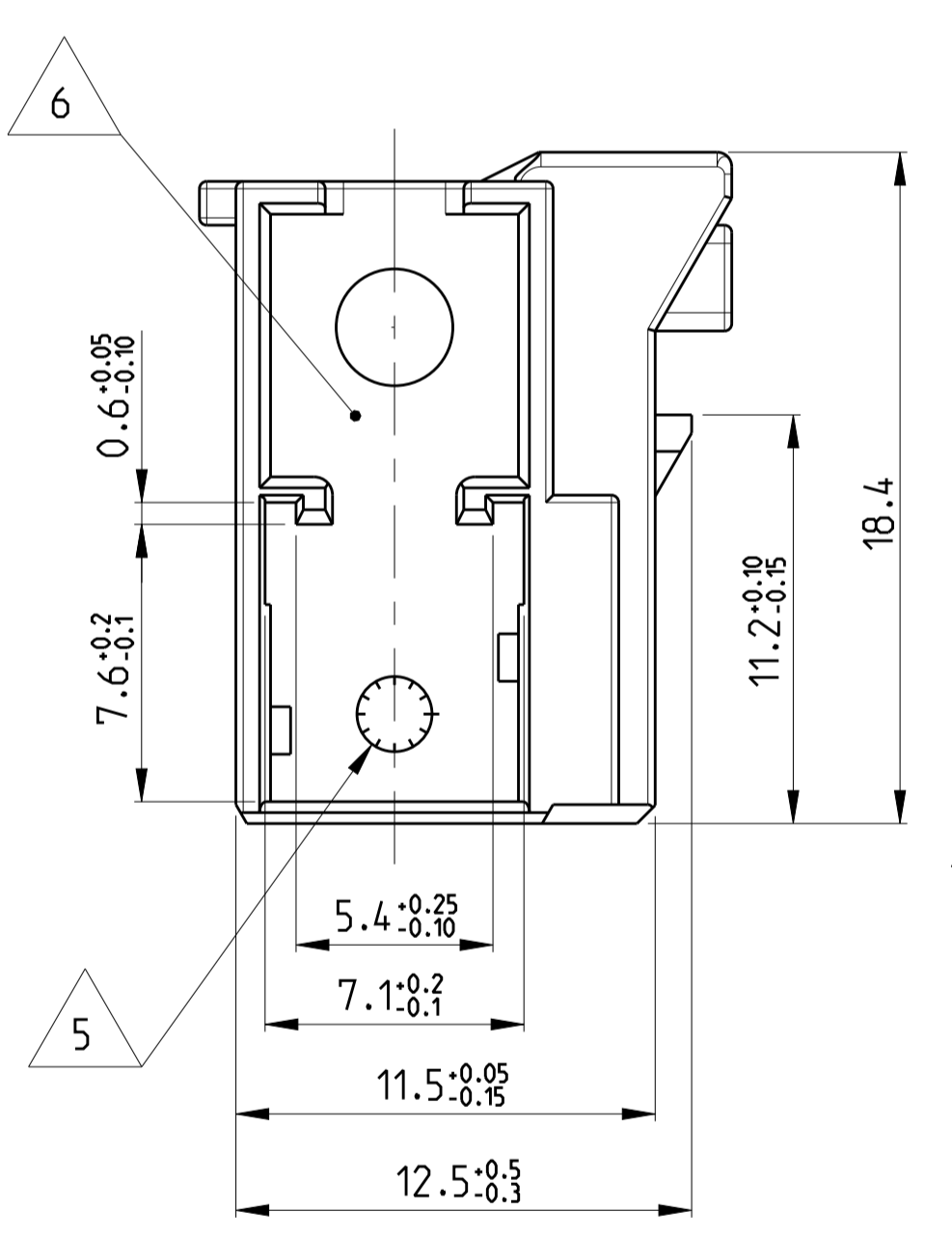
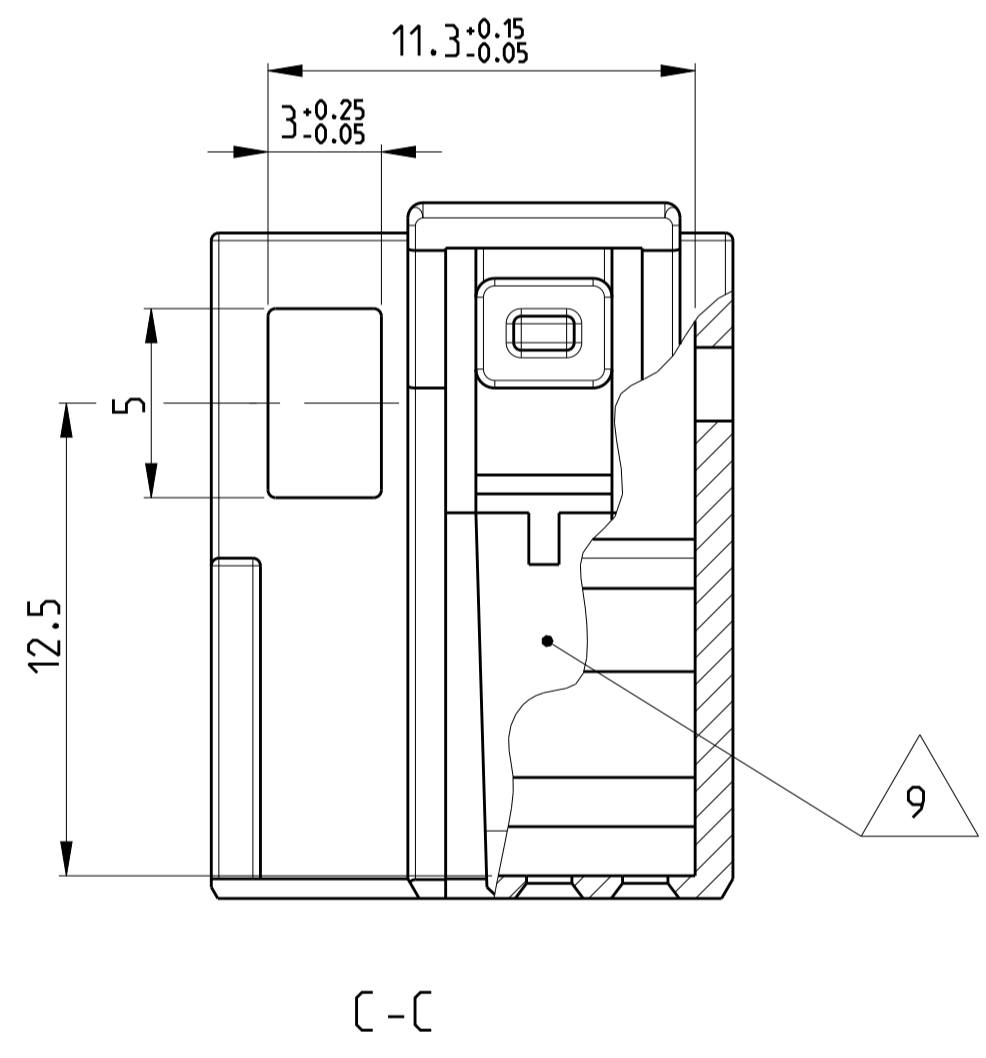


| REVISIONS | | | | |
|-----------|-----|---------------------------|-----------|----------|
| P | LTR | DESCRIPTION | DATE | DWN APVD |
| A1 | | REVISED PER ECO-13-004307 | 08MAR2013 | DD MB |
| A2 | | REVISED PER ECO-16-017603 | 06DEC2016 | DD AH |

CODINGS
2:1



- NOTES:**
- 1 CODING 1- -1 AS SHOWN
 - 2 MOULD CAVITY MARKING
 - 3 SUPPLIER MARK
 - 4 MATERIAL IDENTIFICATION
 - 5 DATE CLOCK
 - 6 CAVITIES SUITABLE FOR TE MGS SOCKET HOUSING PN 968562
 - 7 FOR COUNTERPART INTERFACE DRAWING SEE SHEET 2 OF 2
 - 8 THROUGH HOLE NOT RELEVANT FOR FUNCTION OF CONNECTOR, TOOL RETENTION
 - 9 PRESSURE SENSOR NOT RELEVANT FOR FUNCTION OF CONNECTOR



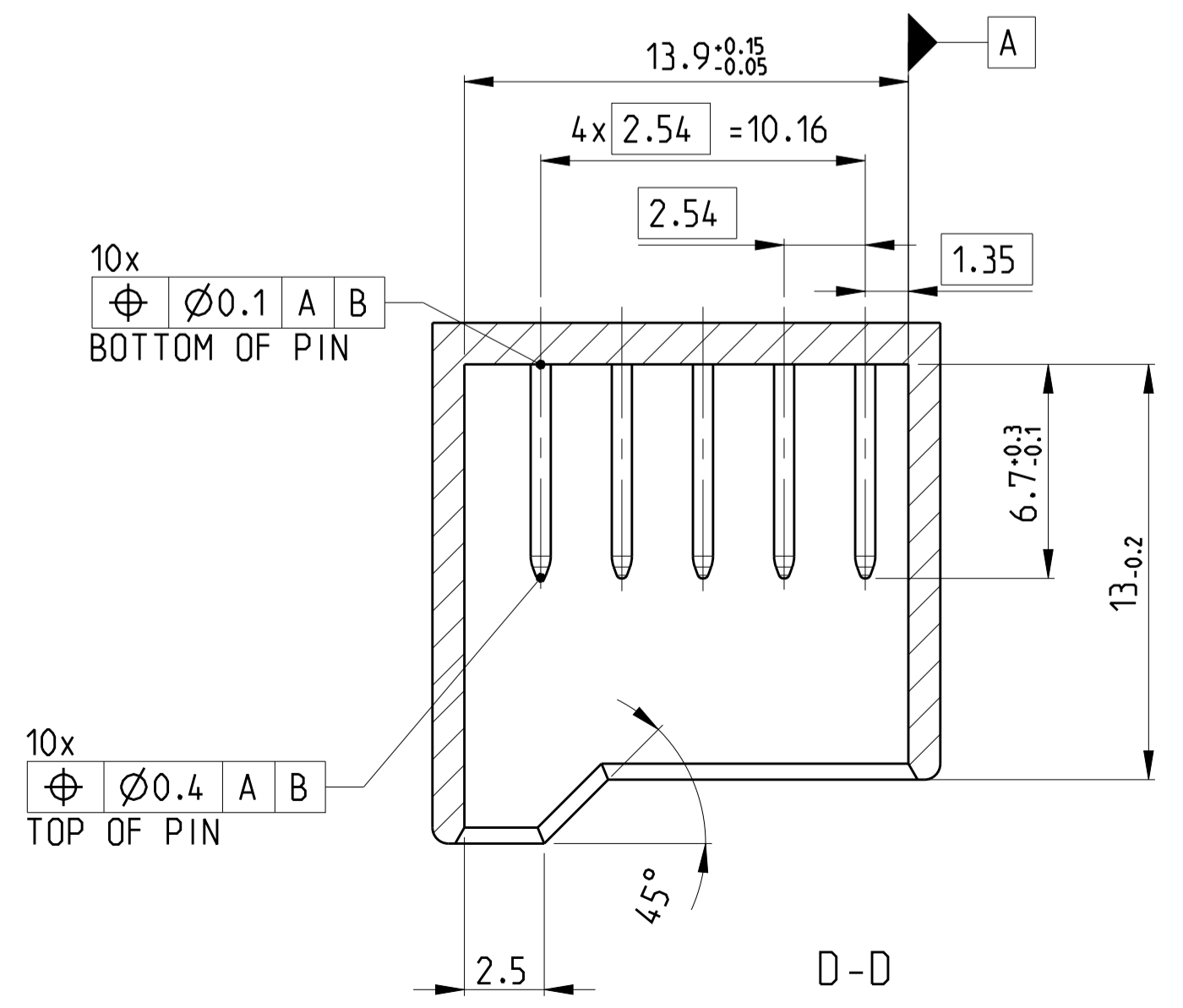
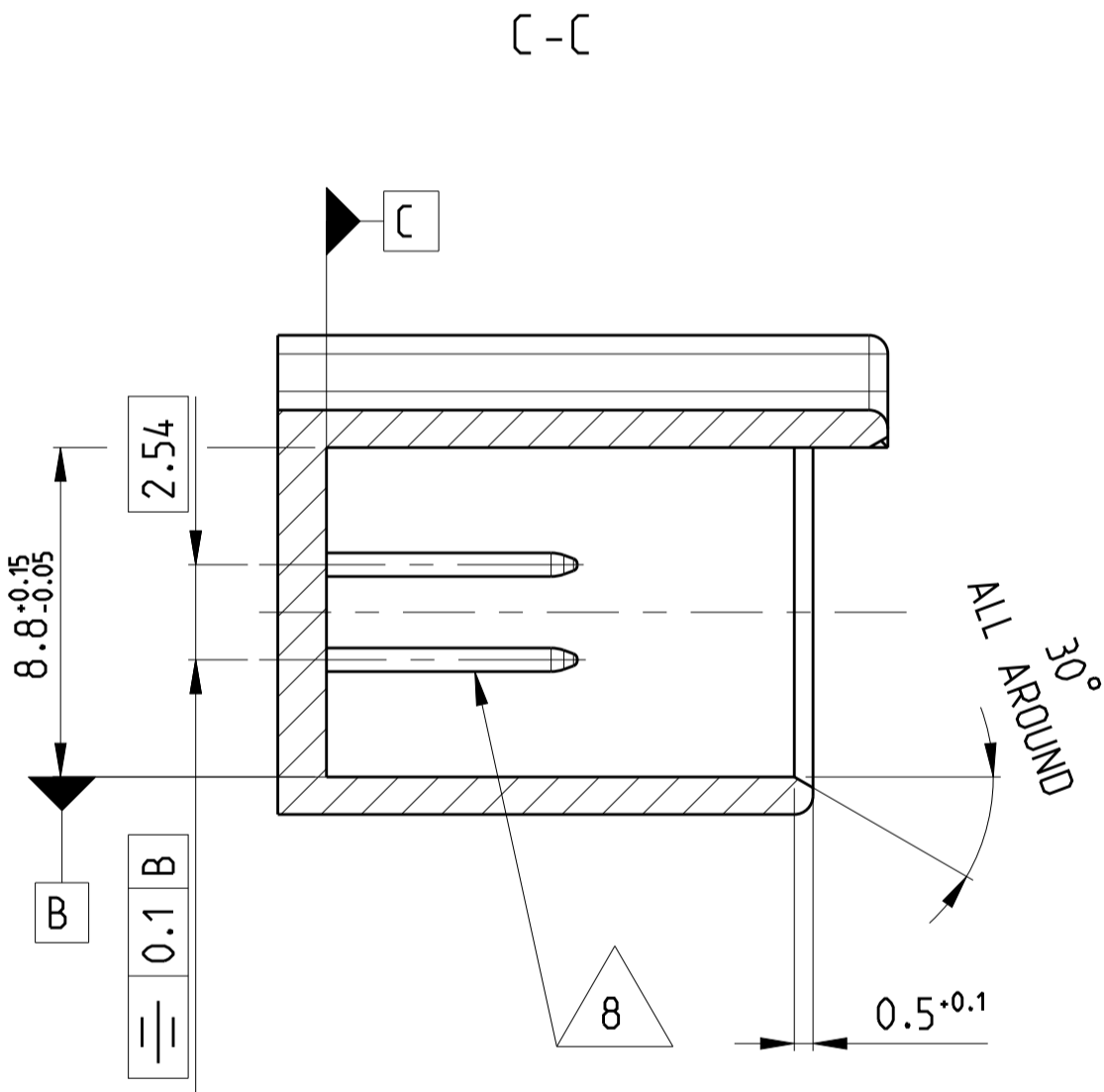
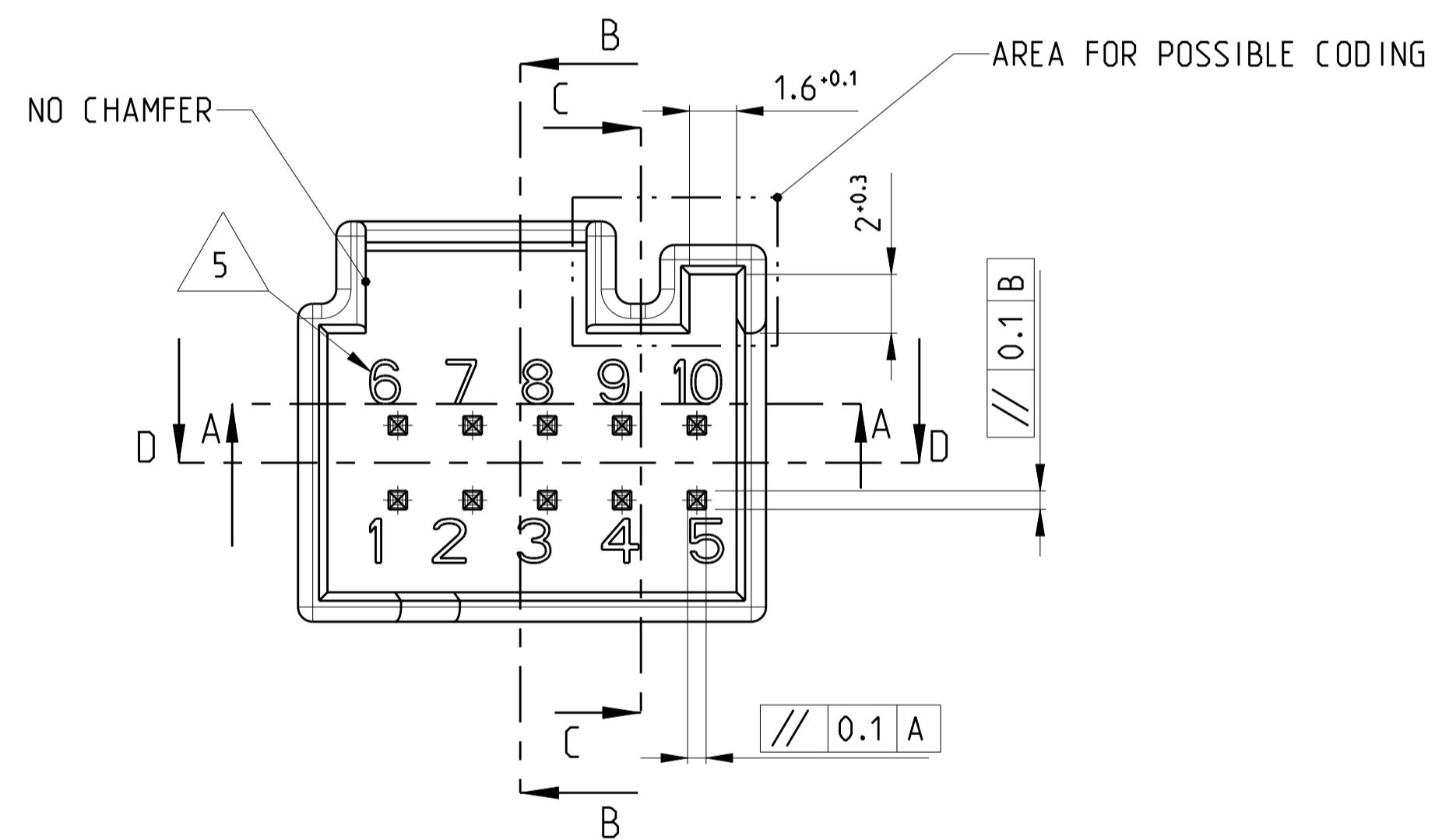
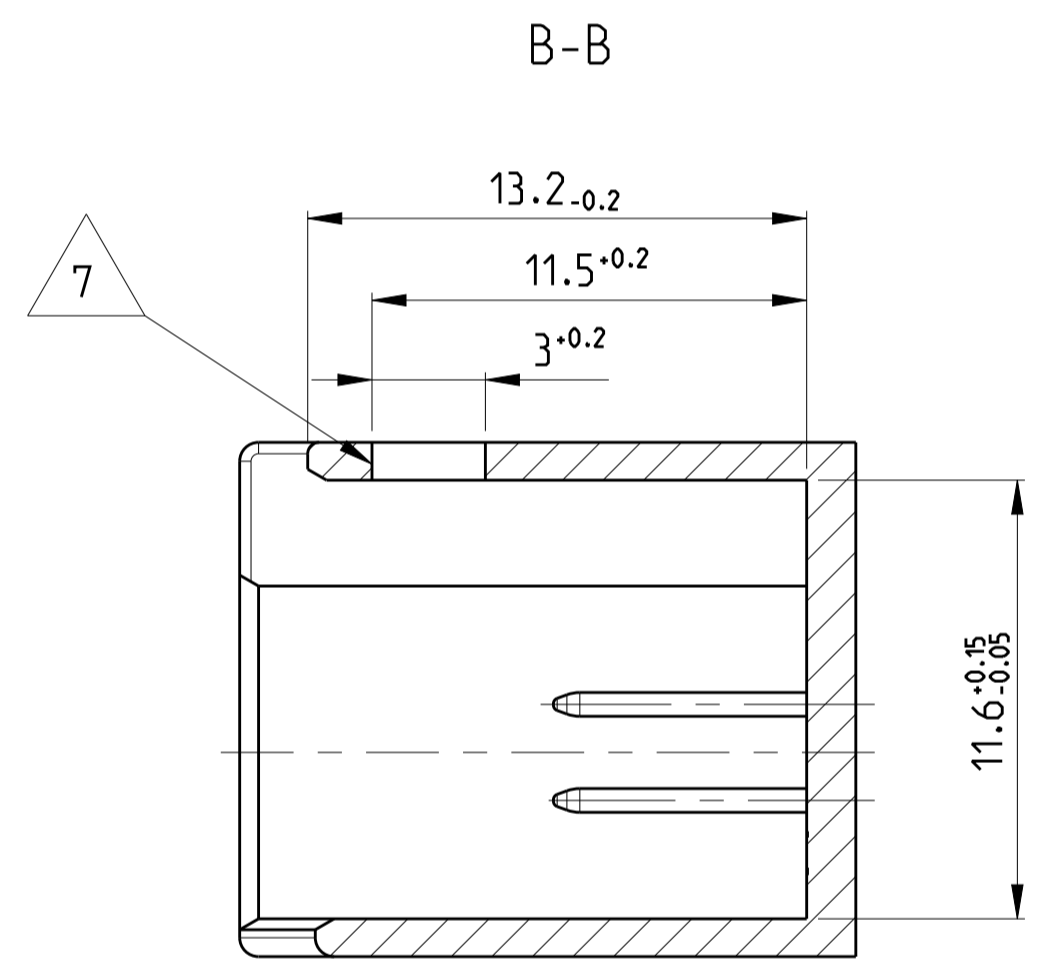
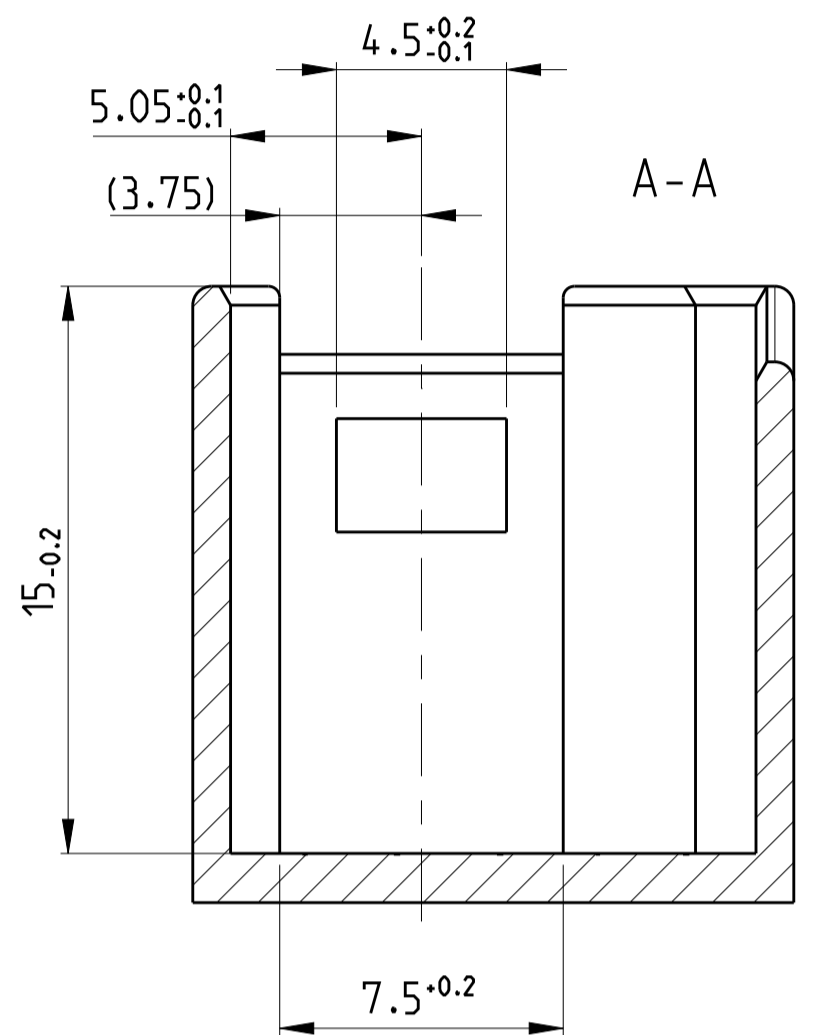
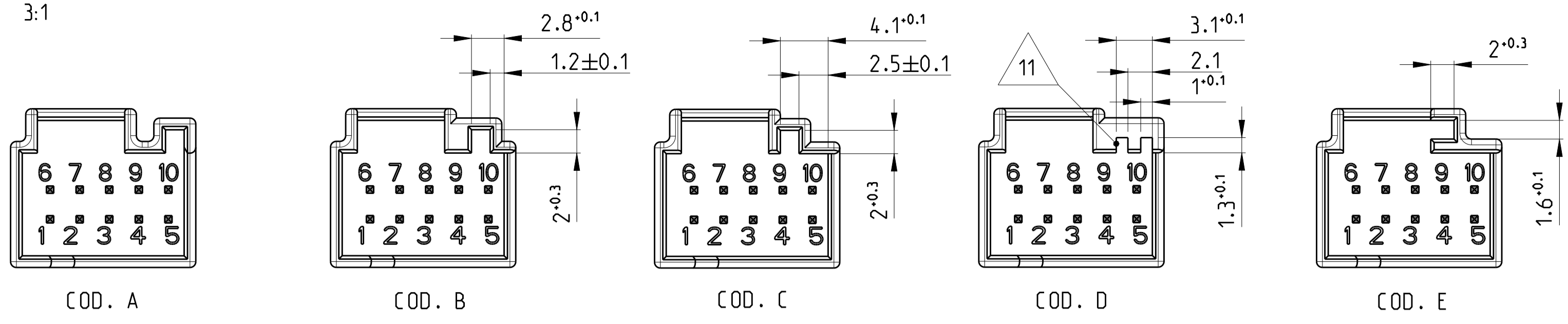
| DESCRIPTION | MASS [kg] | COD | TE ORDER NO. | REV. | MATERIAL | SURFACE/COLOUR |
|---------------|-----------|-----|--------------|------|----------|--------------------------------|
| COVER, 10POS. | 0.00119 | Z | 9-2177198-1 | 1 | PBT-GF15 | WATER BLUE SIMILAR RAL 5021 |
| COVER, 10POS. | 0.00121 | E | 5-2177198-1 | 1 | PBT-GF15 | GREEN SIMILAR RAL 6017 |
| COVER, 10POS. | 0.00122 | D | 4-2177198-1 | 1 | PBT-GF15 | VIOLET SIMILAR RAL 4004 |
| COVER, 10POS. | 0.00121 | C | 3-2177198-1 | 1 | PBT-GF15 | BLUE SIMILAR RAL 5012 |
| COVER, 10POS. | 0.00121 | B | 2-2177198-1 | 1 | PBT-GF15 | NATURE |
| COVER, 10POS. | 0.00121 | A | 1-2177198-2 | 1 | PBT-GF15 | CURRY SIMILAR RAL 1027 |
| COVER, 10POS. | 0.00121 | A | 1-2177198-1 | 1 | PBT-GF15 | BLACK RAL 9011 |

THIS DRAWING IS A CONTROLLED DOCUMENT.

| | | | |
|--------------------|--|--------------------------|--|
| DIMENSIONS: | TOLERANCES UNLESS OTHERWISE SPECIFIED: | DWN M. POLIZZI 05MAY2011 | NAME |
| mm | 0 PLC ±0.15 | CHK M. BANAS 05FEB2013 | STE TE Connectivity |
| | 1 PLC ±0.10 | APVD M. BANAS 14FEB2013 | COVER, 10 POSITION MICRO QUADLOCK SYSTEM |
| | 2 PLC ±0.10 | PRODUCT SPEC | |
| | 3 PLC ±0.10 | 108-20319 | RESTRICTED TO |
| | 4 PLC ±0.10 | APPLICATION SPEC | |
| | ANGLES ±2° | WEIGHT SEE TABLE | SIZE CAGE CODE DRAWING NO |
| MATERIAL SEE TABLE | SEE TABLE | A1 00779 | 00779 C=2177198 |
| | | CUSTOMER DRAWING | SCALE 5:1 SHEET 1 OF 2 REV A2 |

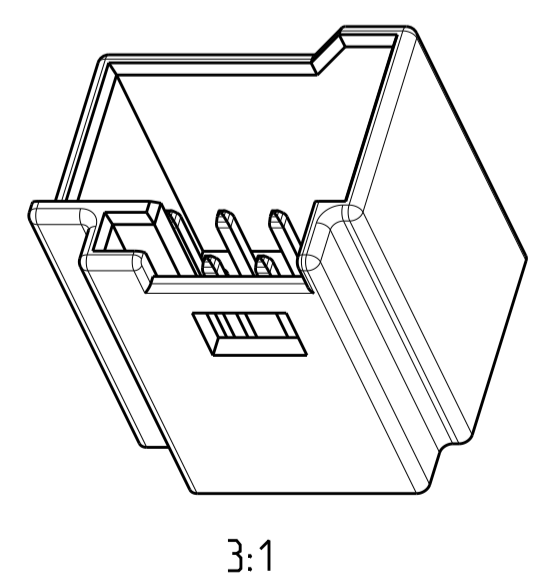
| REVISIONS | | | | |
|-----------|-------------|-------------|------|------|
| P | LTN | DESCRIPTION | DATE | APPD |
| - | SEE SHEET 1 | | - | - |
| | | | | |
| | | | | |

CODINGS
3:1



NOTES:

- CODING A AS SHOWN
- REFERENCES [A], [B], FOR CENTERLINE DEFINITION
1 mm ABOVE REFERENCE [C]
- ALL SYMMETRIC DIMENSIONS $\frac{\text{mm}}{2}$ 0.05 $\text{\textcircled{C}}$
- NO SPECIFIED RADII R0.5 mm
- CAVITY MARKING, CHARACTERS DEEP
- NO SPECIFIED WALL THICKNESS MIN. 1 mm
- IN THIS AREA MAX. 0.03 mm BURRS PERMITTED
- SPECIFICATION OF CONTACT PIN No 114-18063
- HEADER MATERIAL: PBT-GF10
- COUNTERPART SUITABLE FOR 10 POSITIONS MQS SOCKET HOUSING TE PN 2177198
- CODING AREA WITHOUT CHAMFER



| | | | |
|---|---|--|--|
| THIS DRAWING IS A CONTROLLED DOCUMENT. | | DWN: M. POLIZZI 05MAY2011 CHK: M. BANAS 05FEB2013 | NAME: COVER, 10 POSITION MICRO QUADLOCK SYSTEM |
| DIMENSIONS: mm | TOLERANCES UNLESS OTHERWISE SPECIFIED: 0 PLC ±0.15 1 PLC ±0.10 2 PLC ±0.10 3 PLC ±0.10 4 PLC ±0.10 ANGLES ±0.2° | APVD: M. BANAS 14FEB2013 | SIZE: A1 CAGE CODE: 00779 DRAWING NO: 2177198 RESTRICTED TO: - |
| MATERIAL: $\frac{\text{mm}}{2}$ 0.05 $\text{\textcircled{C}}$ | FINISH: SEE TABLE | WEIGHT: SEE TABLE | SCALE: 5:1 SHEET: 2 OF 2 REV: A2 |

单击下面可查看定价，库存，交付和生命周期等信息

[>>TE Connectivity\(泰科\)](#)