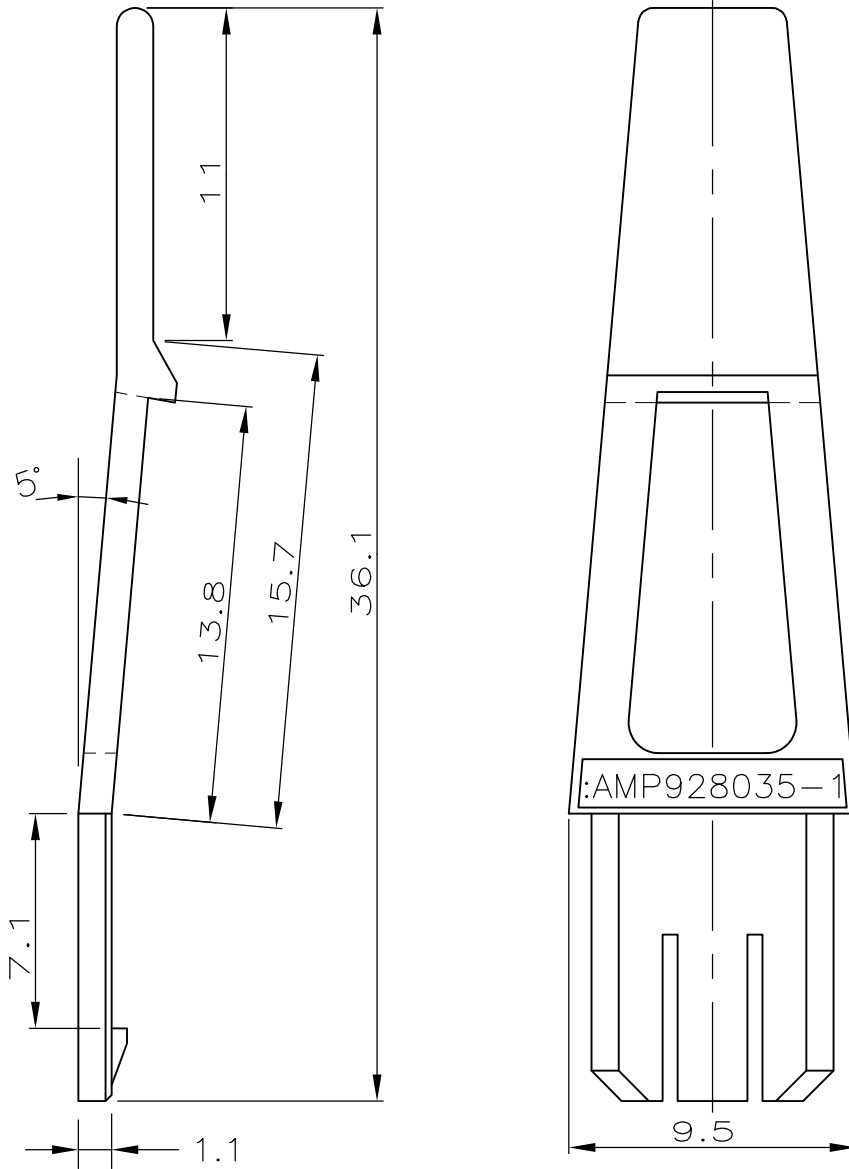


LOC	DIST	REVISIONS					
A1	—	P	LTR	DESCRIPTION	DATE	DWN	APVD
		B		DRAWING UPDATED	06NOV2013	KJK	JKS



1 OBSOLETE PARTS: OBSOLETE CIS STREAMLINING PER D.RENAUD/D.SINISI

<del>-928 036-2</del> 1	PEI GV	SCHWARZ
928 036-1	PEI GV	GREY
PART NUMBER	MATERIAL	COLOR

RELEASED FOR PUBLICATION

ALL RIGHTS RESERVED.

THIS DRAWING IS UNPUBLISHED.

By -

© COPYRIGHT

DIMENSIONS: mm	DWN	29.10.1993	MATERIAL	SEE TABLE	FINISH	—
	CHK	29.10.1993				
TOLERANCES UNLESS OTHERWISE SPECIFIED: ±0.2	W. TILLE	R. KRÄMER				
0 PLC ± —	APVD	—	SIZE	CAGE CODE	DRAWING NO	RESTRICTED TO
1 PLC ± —	PRODUCT SPEC	—	A4	00779	C-928036	—
2 PLC ± —	APPLICATION SPEC	—	WEIGHT	—		
3 PLC ± —			CUSTOMER DRAWING			
4 PLC ± —			SCALE	4:1	SHEET	1 OF 1
ANGLES ± 1°					REV	B

单击下面可查看定价，库存，交付和生命周期等信息

[>>TE Connectivity\(泰科\)](#)