

4

3

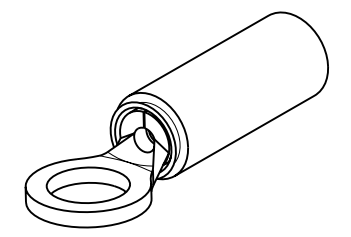
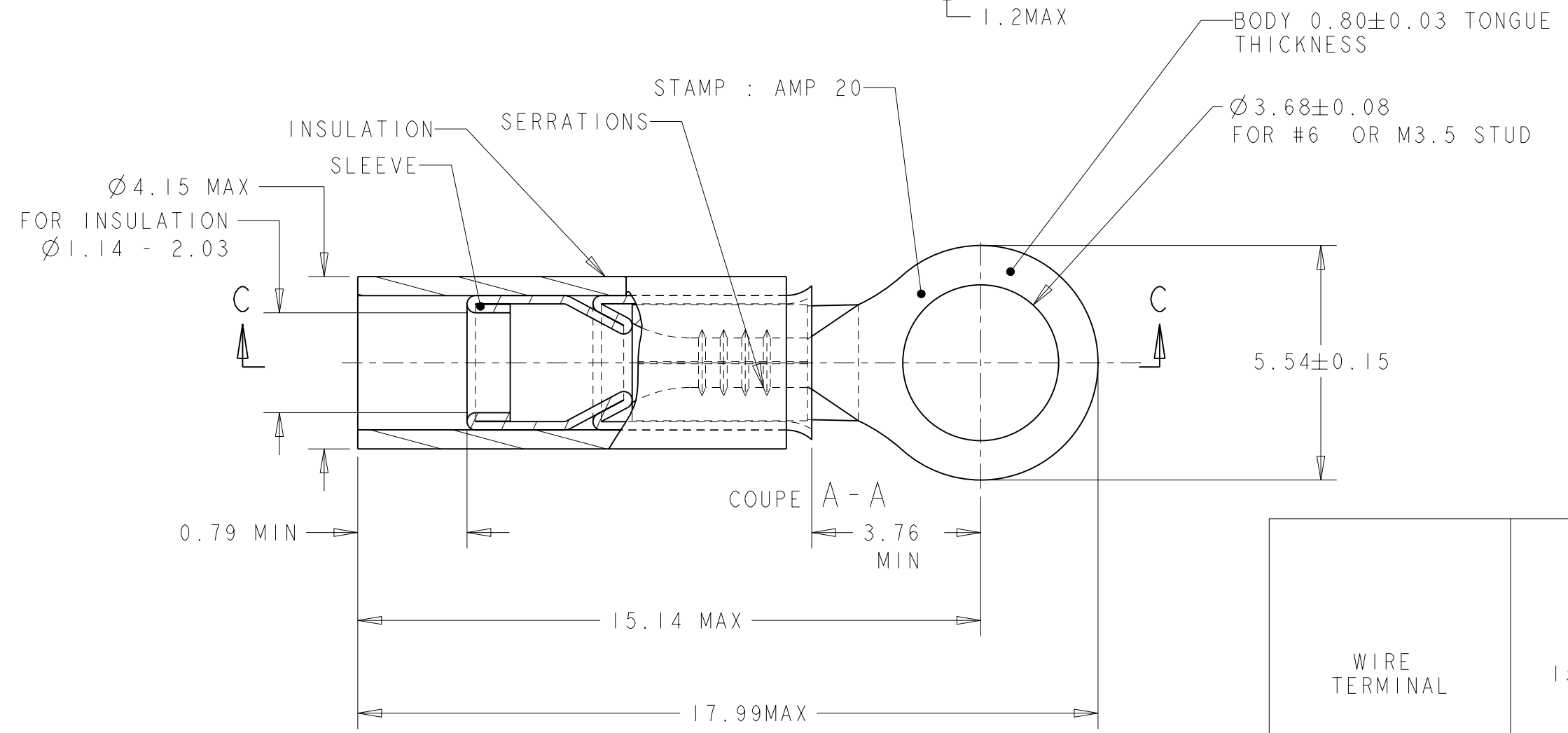
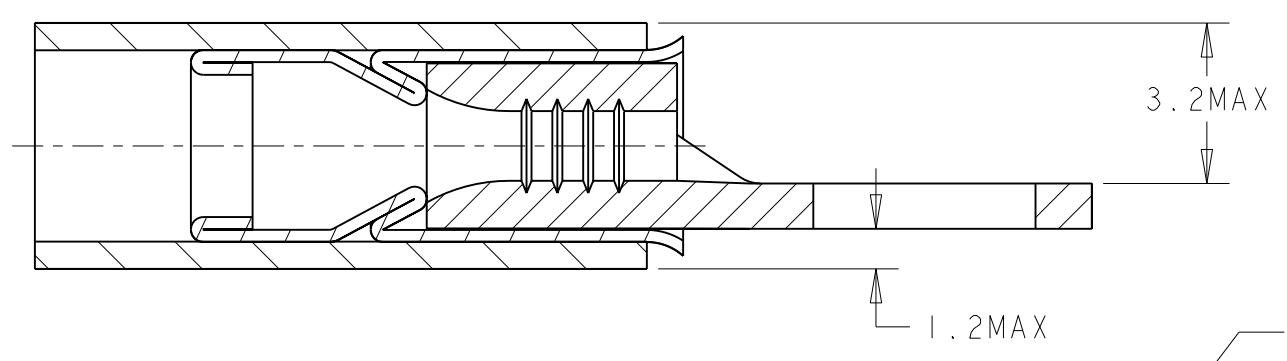
2

1

THIS DRAWING IS UNPUBLISHED. RELEASED FOR PUBLICATION 20
 © COPYRIGHT 20 BY TYCO ELECTRONICS CORPORATION. ALL RIGHTS RESERVED.

LOC	DIST	REVISIONS			
P	LTR	DESCRIPTION	DATE	DWN	APVD
F	00	B	ECR 07-025006	24OCT2007	JT GR

COUPE C - C



SCALE 3:1

WIRE TERMINAL	1577625-1	BODY : COPPER ANNEALED FINISH : NICKEL PLATED
		SLEEVE : COPPER ANNEALED FINISH : NICKEL PLATED
		INSULATION : PEEK COLOR : GREY
DESCRIPTION	PART NUMBER	MATERIAL & FINISH

THIS DRAWING IS A CONTROLLED DOCUMENT FOR TYCO ELECTRONICS CORPORATION IT IS SUBJECT TO CHANGE AND THE CONTROLLING ENGINEERING ORGANIZATION SHOULD BE CONTACTED FOR THE LATEST REVISION.		DWN	02NOV2005		TYCO ELECTRONICS France SAS BP 30039, 95301 CERGY-PONTOISE Cedex			
DIMENSIONS: mm		CHK	02NOV2005		NAME	TERMINAL, PEEK PIDG STRATO, 20 AWG		
TOLERANCES UNLESS OTHERWISE SPECIFIED:		APVD	02NOV2005			PRODUCT SPEC	108-15356	
0 PLC ±-		PRODUCT SPEC				APPLICATION SPEC	114-15102	
1 PLC ±0.3		WEIGHT	0,56 gr	SIZE	A3	CAGE CODE	00779	
2 PLC ±-		MATERIAL SEE TABLE		DRAWING NO	C=1577625		RESTRICTED TO	
3 PLC ±-		FINISH SEE TABLE		CUSTOMER DRAWING		SCALE	8:1	
4 PLC ±-						SHEET	1 OF 1	
ANGLES ±5						REV	B	

单击下面可查看定价，库存，交付和生命周期等信息

[>>TE Connectivity\(泰科\)](#)