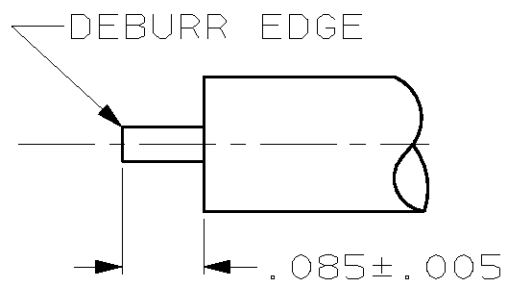
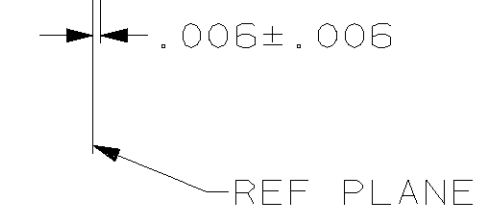
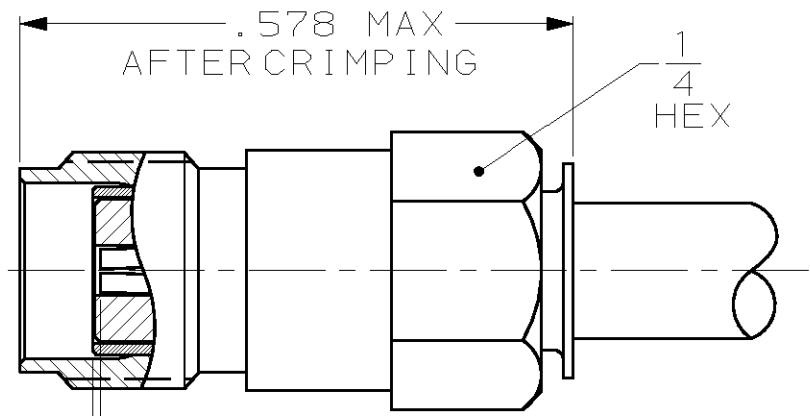
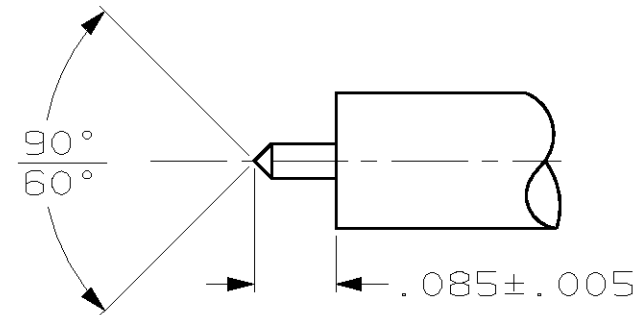


THIS DRAWING IS UNPUBLISHED. RELEASED FOR PUBLICATION .19 .
 © COPYRIGHT 19 BY AMP INCORPORATED. ALL RIGHTS RESERVED.

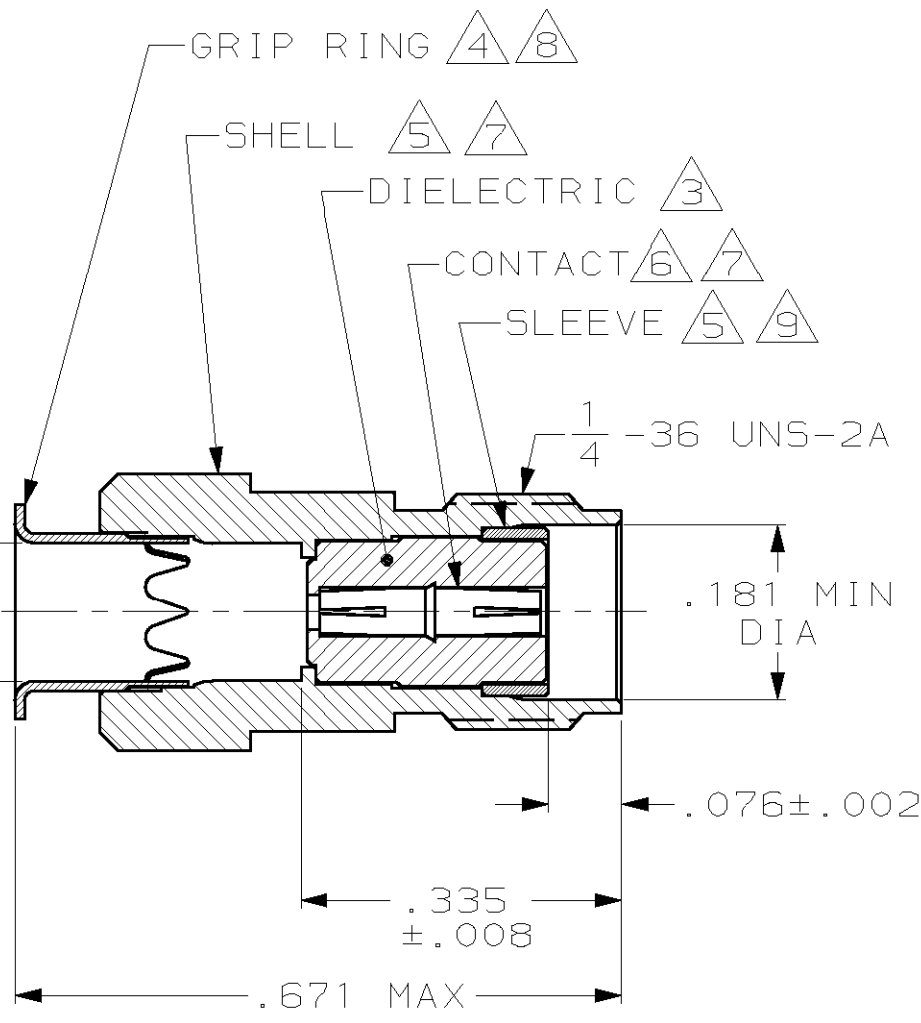
LOC	DIST	REVISIONS			
P	LTR	DESCRIPTION	DATE	DWN	APVD
AJ	16	C	REV PER 0U20-0173-00	07JUN00	MO JH



OPTIONAL STRIP LENGTH



RECOMMENDED STRIP LENGTH



1. FOR USE WITH: RG-402/U, .141 SEMI-RIGID CABLE
2. SEE I.S. 6788
- 3 PTFE PER ASTM-D-1710.
- 4 BRASS PER ASTM-B-36.
- 5 STAINLESS STEEL PER ASTM-A-582
- 6 BERYLLIUM COPPER PER ASTM-B-197.
- 7 GOLD PL PER MIL-G-45204
- 8 NICKEL PL PER QQ-N-290
- 9 PASSIVATION PER QQ-P-35
10. .500 MIN LENGTH OF STRAIGHT CABLE REQUIRED TO APPLY THE CONNECTOR

THIS DRAWING IS A CONTROLLED DOCUMENT.		DWN M. O'BRINE 07JUN00	AMP AMP Incorporated Harrisburg, PA 17105-3608
		CHK J. HAVENER 07JUN00	
		APVD J. HAVENER 07JUN00	NAME
		PRODUCT SPEC 108-12055	JACK, SERIES SMA
		APPLICATION SPEC -	RESTRICTED TO -
		WEIGHT -	SIZE CAGE CODE DRAWING NO A3 00779 C- 228636-1
MATERIAL 3 THRU 6		FINISH 7 THRU 9	SCALE SHEET OF REV 5:1 1 OF 1 C
CUSTOMER DRAWING			

单击下面可查看定价，库存，交付和生命周期等信息

[>>TE Connectivity\(泰科\)](#)