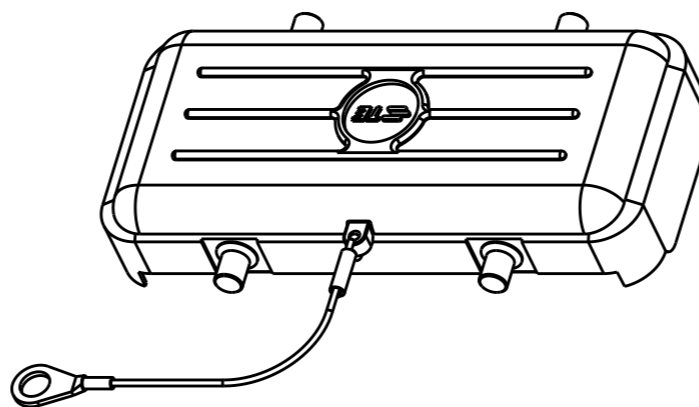
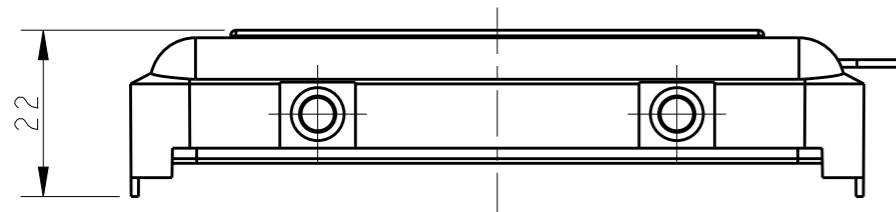
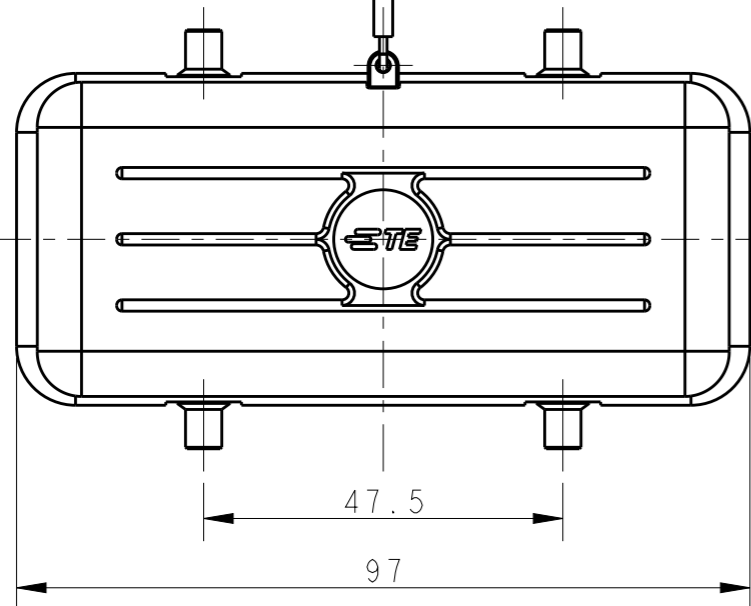
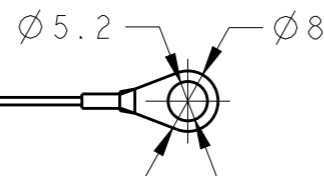


THIS DRAWING IS UNPUBLISHED. RELEASED FOR PUBLICATION 20  
 © COPYRIGHT 20 BY - ALL RIGHTS RESERVED.

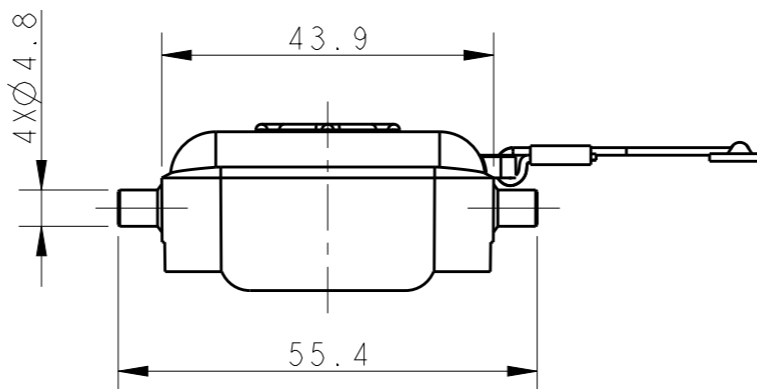
REVISIONS

P	LTR	DESCRIPTION	DATE	DWN	APVD
	A	INITIAL	08AUG2017	YC	CW

STAINLESS STEEL ROPE,  
 Ø 0.8X250mm  
 不锈钢绳, Ø 0.8X250mm



SCALE 4:5



NOTES:


- 1. TECHNICAL CHARACTERISTICS:  
 COVER MATERIAL: PC, GREY  
 LOCKING MATERIAL: PLASTIC, GREY  
 SEALING MATERIAL: BLACK ELASTIC RUBBER

注释:

- 1. 技术参数:  
 保护盖材料: PC, 灰色  
 扣件材质: 塑料, 灰色  
 密封材质: 黑色弹性橡胶

T1010162100-001	HI6B-KDBP-SS	HI6B HOUSING PLASTIC PROTECTION COVER, 4 EAR, WITHOUT SEALING, STAINLESS STEEL ROPE, GREY HI6B下壳塑料保护盖, 4耳, 不带密封, 不锈钢绳, 灰色
-----------------	--------------	--

PART NUMBER 料号	PART DESCRIPTION 描述
-------------------	------------------------

THIS DRAWING IS A CONTROLLED DOCUMENT.		DWN 08AUG2017 YORK CHEN	 TE Connectivity NAME HI6B-KDBP-SS											
DIMENSIONS: mm		CHK 08AUG2017 GINO YAO												
TOLERANCES UNLESS OTHERWISE SPECIFIED:		APVD 08AUG2017 CHRIS WANG												
<table border="1"> <tr><td>0 PLC</td><td>±-</td></tr> <tr><td>1 PLC</td><td>±-</td></tr> <tr><td>2 PLC</td><td>±-</td></tr> <tr><td>3 PLC</td><td>±-</td></tr> <tr><td>4 PLC</td><td>±-</td></tr> <tr><td>ANGLES</td><td>±-</td></tr> </table>		0 PLC		±-	1 PLC	±-	2 PLC	±-	3 PLC	±-	4 PLC	±-	ANGLES	±-
0 PLC	±-													
1 PLC	±-													
2 PLC	±-													
3 PLC	±-													
4 PLC	±-													
ANGLES	±-													
MATERIAL -	FINISH -	WEIGHT -	APPLICATION SPEC -											
		SIZE CAGE CODE DRAWING NO RESTRICTED TO A300779 C-T1010162100001 -												
		CUSTOMER DRAWING SCALE 1:1 SHEET 1 OF 1 REV A												

单击下面可查看定价，库存，交付和生命周期等信息

[>>TE Connectivity\(泰科\)](#)