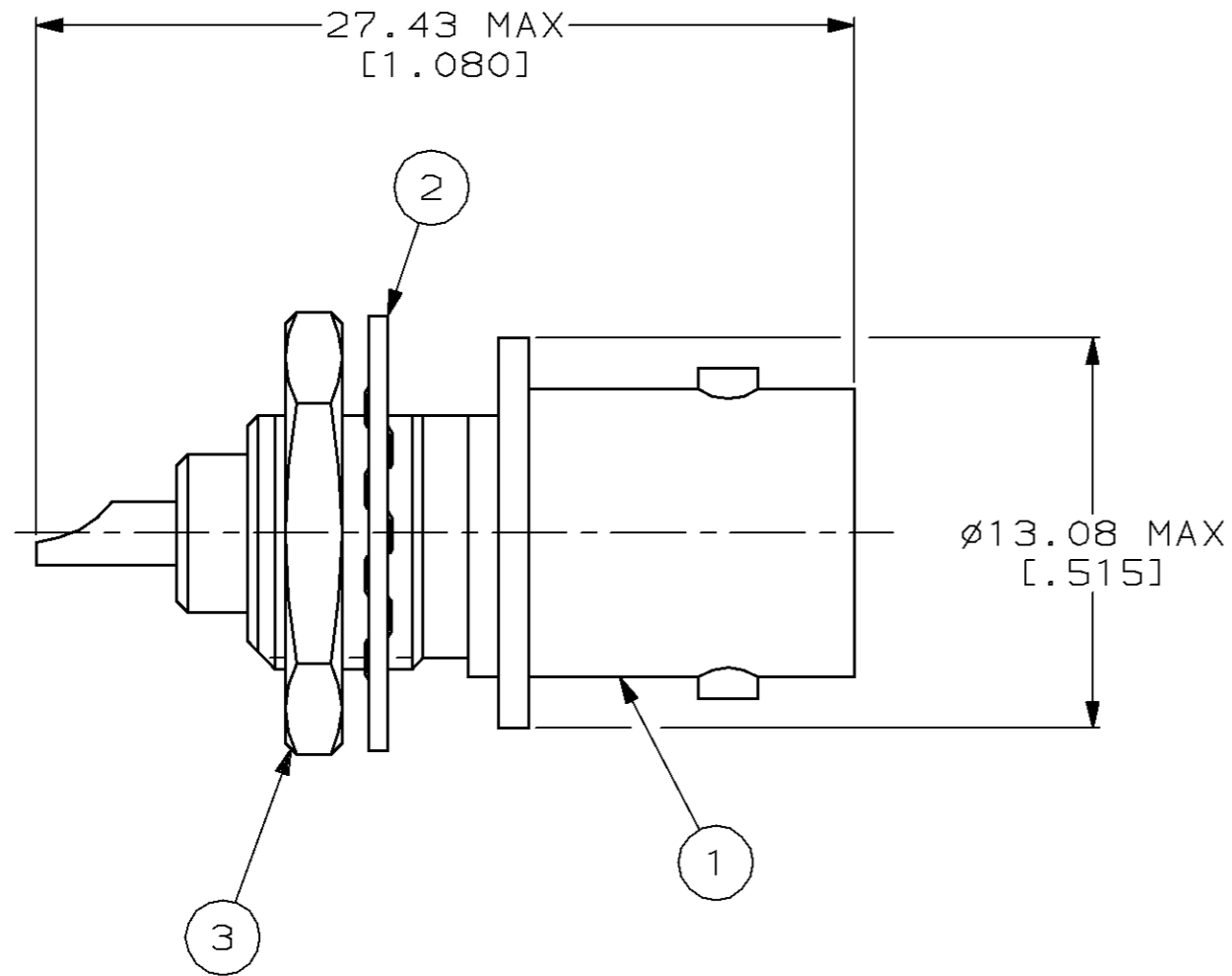
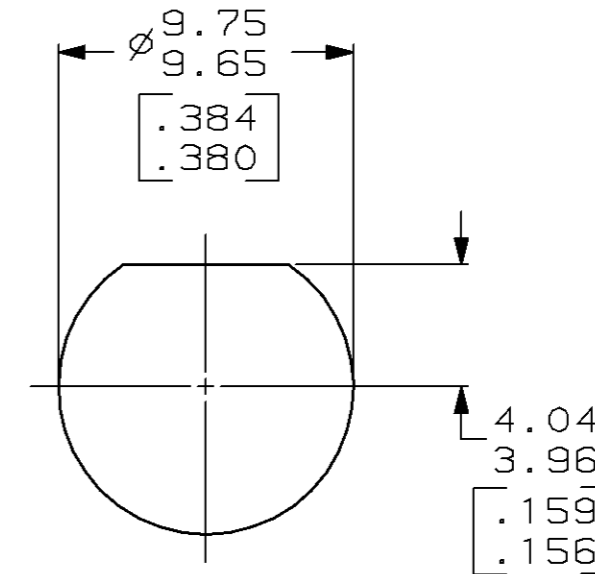


THIS DRAWING IS UNPUBLISHED. RELEASED FOR PUBLICATION, 19
 © COPYRIGHT 19 BY AMP INCORPORATED. ALL INTERNATIONAL RIGHTS RESERVED.

LOC	DIST	P	F	ZONE	LTR	DESCRIPTION	DATE	APPD
AJ	16				0	RLSE -1 PER 93-3137-016	8-21-95	JL



1. SEE I.S. 9086



RECOMMENDED PANEL CUTOUT

1-330249-1	1-329492-1	221245-1	415187-1
3 JAM NUT QTY=1	2 LOCKWASHER QTY=1	1 JACK ASSY QTY=1	PART NUMBER

DO NOT SCALE PRINT. UNLESS SPECIFIED DIMENSIONS IN mm [INCHES]		PART NO	
TOLERANCES ON: 2 PLC DEC ± - 3 PLC DEC ± - ANGLES ± -		AMP AMP Incorporated Harrisburg, PA 17105-3608	
MATERIAL	DR 8-21-95 J. LIPPERT	NAME SOLDER, JACK 75 OHM, SERIES BNC	
FINISH	CHK 8-21-95 J. LIPPERT	SIZE B	CAGE CODE 00779
	APPD 8-21-95 J. LIPPERT	DRAWING NO 415187	
	APPD 8-21-95 J. LIPPERT	SCALE 4:1	SHEET 1 OF 1
	PRODUCT SPEC 108-12079		
	APPLICATION SPEC -		
	WEIGHT -		

单击下面可查看定价，库存，交付和生命周期等信息

[>>TE Connectivity\(泰科\)](#)