

THIS DRAWING IS UNPUBLISHED.

RELEASED FOR PUBLICATION

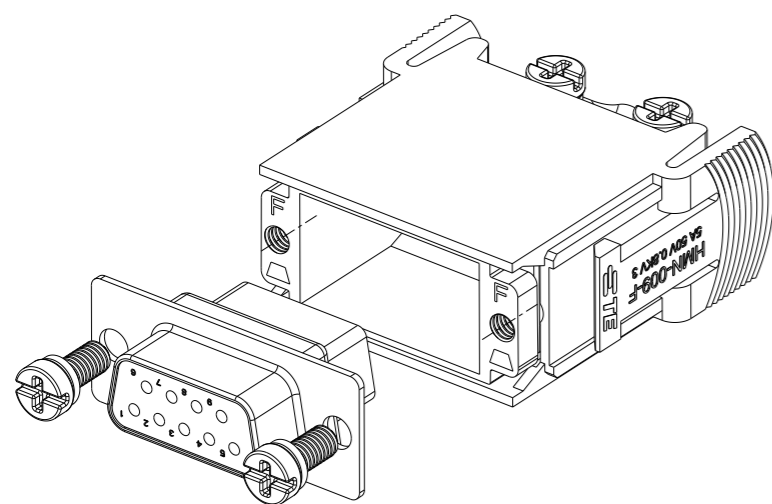
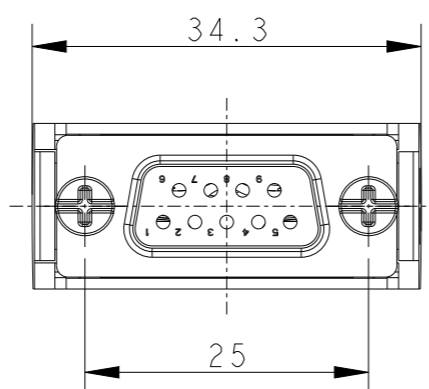
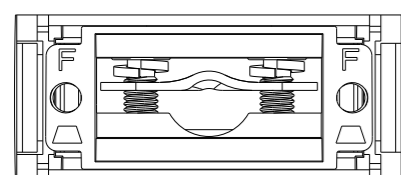
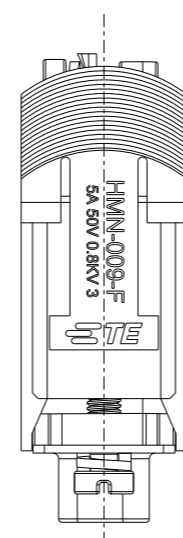
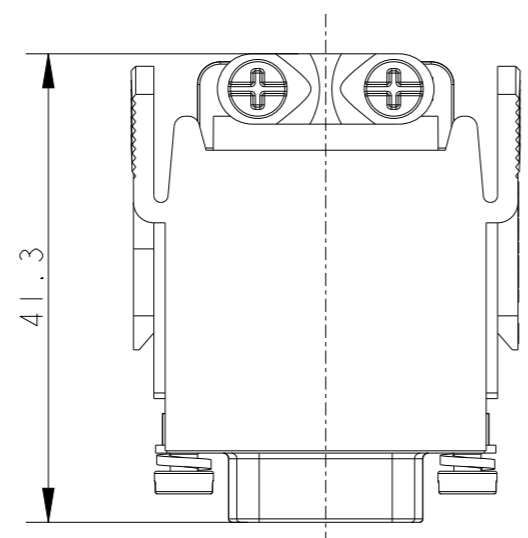
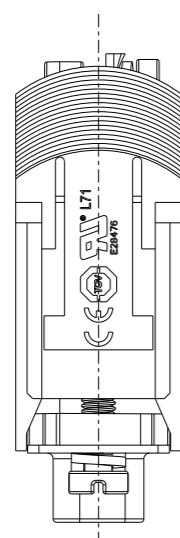
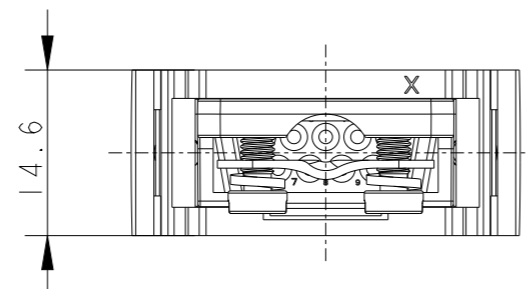
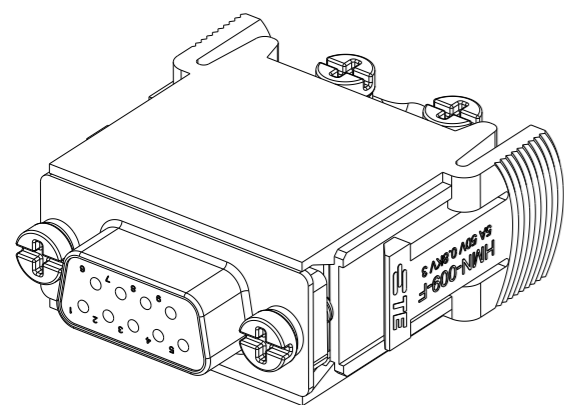
20

© COPYRIGHT 20 BY -

ALL RIGHTS RESERVED.

REVISIONS

P	LTR	DESCRIPTION	DATE	DWN	APVD
B1		ECR-18-013580	30AUG2018	WQR	CW
B2		ECR-19-000492	23JAN2019	AL	CW
C		ECR-19-004179	24APR2019	AL	CW
D		ECR-21-111798	27SEP2021	WQR	CW



NOTES:

- TECHNICAL CHARACTERISTICS:  
 INSULATION MATERIAL: PC  
 RATED VOLTAGE: 50V  
 RATED CURRENT: 5A  
 INSULATION RESISTANCE:  $\geq 400M\Omega$   
 RATED IMPULSE VOLTAGE: 0.8KV  
 POLLUTION DEGREE: 3  
 FLAMMABILITY: UL94V-0  
 MATING CYCLES: 500 CYCLES  
 WIRE RANGE: 0.08~0.52 mm<sup>2</sup> (28~20 AWG)  
 CONTACT TYPE: CRIMP CONTACT
- CONTACT NEED TO BE ORDERED SEPARATELY.  
 (ORDER No. REFER TO DRAWING:T20700X20XX000)

注释:

- 技术参数:  
 绝缘材料: PC  
 额定电压: 50V  
 额定电流: 5A  
 绝缘电阻:  $\geq 400M\Omega$   
 额定脉冲电压: 0.8KV  
 污染等级: 3  
 阻燃等级: UL94V-0  
 插拔次数: 500次  
 接线范围: 0.08~0.52 mm<sup>2</sup> (28~20 AWG)  
 接线类型: 冷压接
- 端子需要单独订购.  
 (订货号参考图面: T20700X20XX000)

T2111092201-000	HMN-009-F	HMN-009 FEMALE MODULE INSERT HMN-009模块母插
PART NUMBER 料号	DESCRIPTION 描述	

THIS DRAWING IS A CONTROLLED DOCUMENT.		DWN 24MAR2015 David Wang			
DIMENSIONS: mm		CHK 24MAR2015 Chris.Wang			
TOLERANCES UNLESS OTHERWISE SPECIFIED:		APVD 24MAR2015 Xiang.Xu	NAME HMN-009-F		
0 PLC ±-		PRODUCT SPEC 108-137064	SIZE CAGE CODE DRAWING NO RESTRICTED TO		
1 PLC ±-		APPLICATION SPEC 114-137064	A300779 C-T2111092201000 -		
2 PLC ±-		WEIGHT -	SCALE 3:2 SHEET 1 OF 1 REV D		
3 PLC ±-		Customer Drawing			
4 PLC ±-					
ANGLES ±-					
FINISH -					
MATERIAL -					

单击下面可查看定价，库存，交付和生命周期等信息

[>>TE Connectivity\(泰科\)](#)