

4

3

2

1

THIS DRAWING IS UNPUBLISHED.

RELEASED FOR PUBLICATION

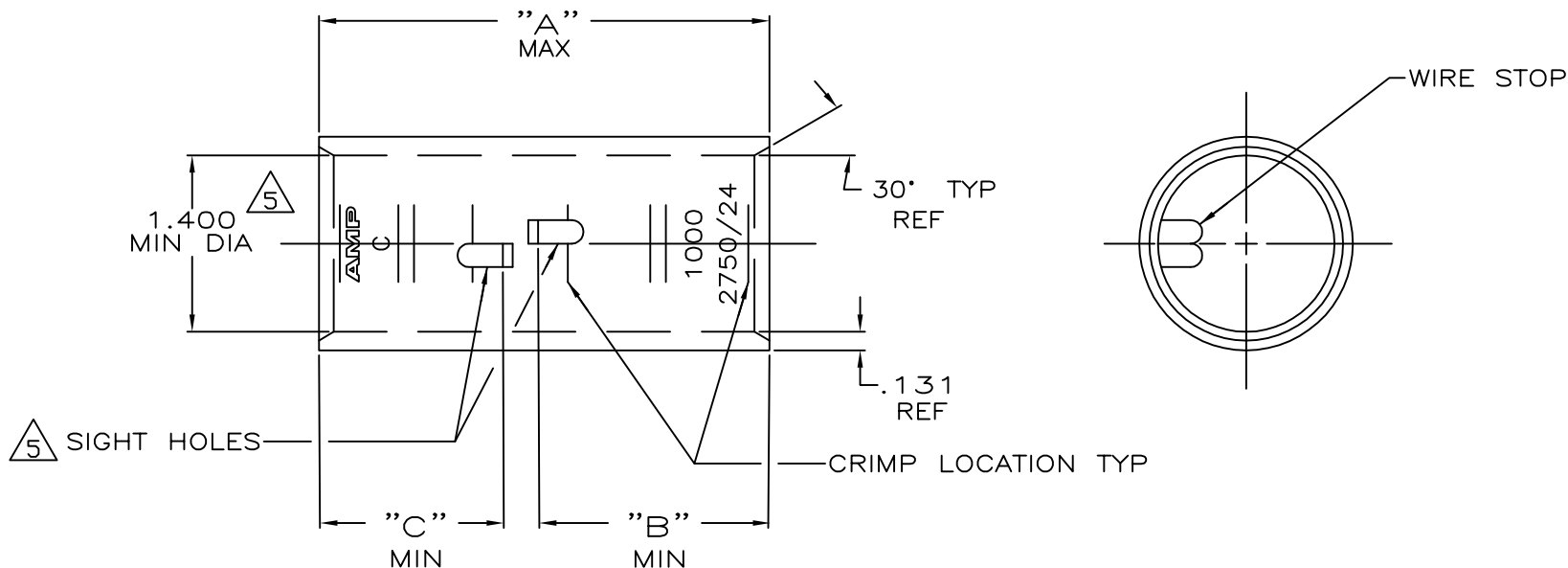
ALL RIGHTS RESERVED.

© COPYRIGHT - By -

LOC G DIST 86

REVISIONS

P	LTR	DESCRIPTION	DATE	DWN	APVD
	S	ECR-13-000998	11FEB2013	PK	HS



1 TIN PL .000150 MIN THK  
MIL-T 10727

2 WIRE RANGE: 950 - 1125 MCM

3 PART NO: 324471; .665 LB.  
PART NO: 1-324471-0; .665 LB.  
PART NO: 2-324471-1; .743 LB.

4 PREPRODUCTION - FASR REQ.

5 .045 MAX BURR ALLOWED INSIDE THE WIRE  
BARREL ID IN AREA OF SIGHT HOLE.

1.46	1.83	3.64	△	COPPER	△ 2-324471-1
1.46	1.46	3.27	CLEANED	ASTM-B-75	1-324471-0
			△	ANNEALED	324471
"C"	"B"	"A"	FINISH	MATERIAL	PART No

THIS DRAWING IS A CONTROLLED DOCUMENT.

DWN	DK SCHRUM	4/24/89
CHK	MS FEHER	4/24/89
APVD	WJ VOCKROTH	11/8/89
PRODUCT SPEC	-	
APPLICATION SPEC	-	
WEIGHT	△ 3	
CUSTOMER DRAWING	SCALE 1:1	SHEET 1 OF 1
RESTRICTED TO	-	

TE Connectivity

SPLICE, BUTT, AMPPOWER  
WIRE SIZE: 1000 MCM

SIZE A3 CAGE CODE 00779 DRAWING NO C=324471

REV S

单击下面可查看定价，库存，交付和生命周期等信息

[>>TE Connectivity\(泰科\)](#)