

REVISIONS				
REV	DATE	DESCRIPTION	BY	APP'D
1	08/04	CONVERTED RADIALL DWG TO TYCO ACAD DWG	RF	JM
2	24MAR10	REVISED	RF	JM

1 SHELL: ALUMINUM ALLOY 6061 T651  
 GROUND BLOCK RETENTION SCREW, JACKSCREW KEY, CENTER LOCK & RETAINING NUT:  
 STAINLESS STEEL PER AISI 316  
 INSERT RETENTION CLIP, GROUND CONTACT RETENTION CLIP, GROUNDING CLIP & JACKSCREW SLEEVE:  
 COPPER ALLOY PER ASTM B194  
 INTERMEDIATE PLATE: COPPER ALLOY PER ASTM B103  
 GROUND BLOCK INSULATOR: PEI THERMOPLASTIC PER ASTM D5205  
 PROTECTIVE COVER: THERMOPLASTIC ELASTOMER

2 SHELL: ELECTROLESS NICKEL PER SAE AMS-C-26074, CLASS 1.  
 GROUNDING CLIP: 1.27µm [50 µin] MIN GOLD PER ASTM B488 OVER 1.25µm [50 µin]  
 MIN NICKEL PER SAE AMS-QQ-N-290  
 INTERMEDIATE PLATE & GROUNDING SPRING: ELECTROLYTIC NICKEL PER SAE AMS-QQ-N-290

3 DATE CODE - YEAR & WEEK (YY WW)

4 INDEXING POINT FOR POLARIZATION.

5 SHELL CAVITY FOR GPRB SERIES INSERTS WITH KEYING CODE A.

6 SHELL CAVITY FOR GPRB SERIES INSERTS WITH KEYING CODE B.

7 PROTECTIVE COVERS NOT SHOWN FOR CLARITY.

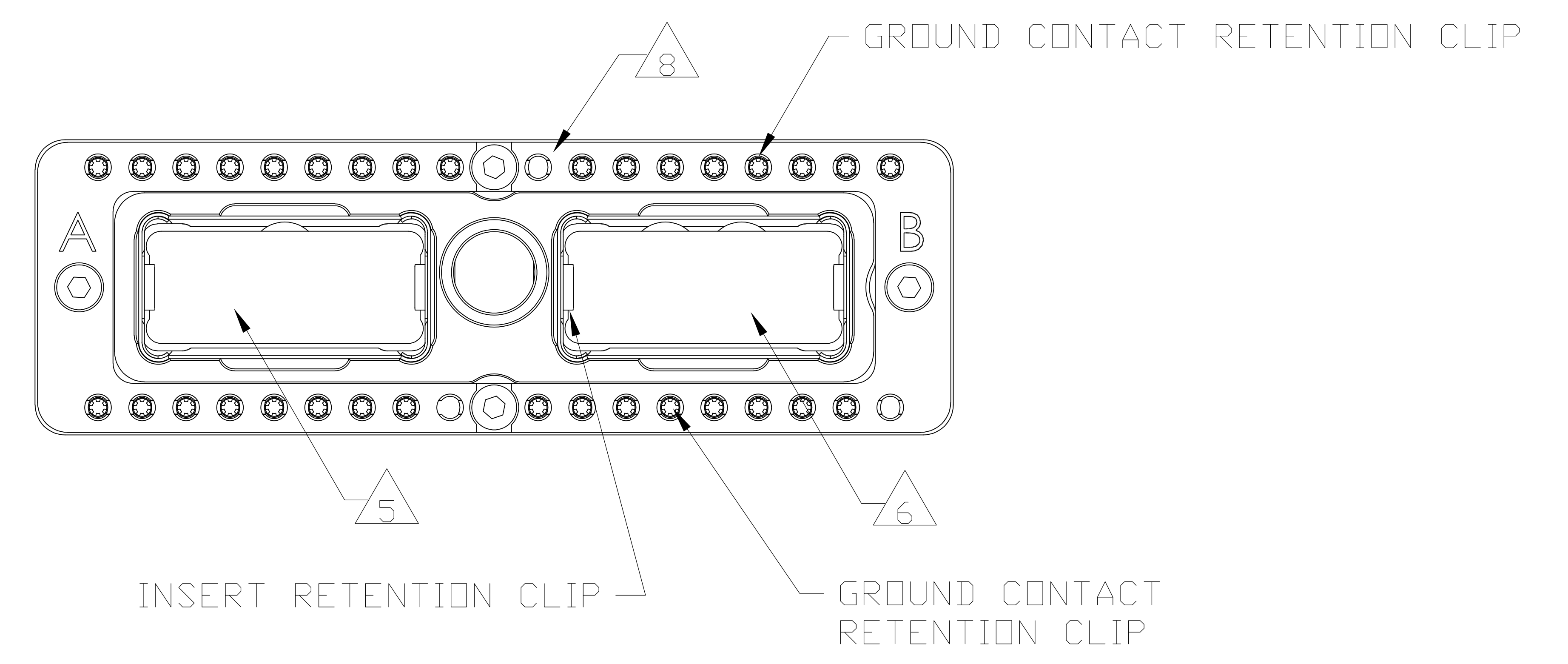
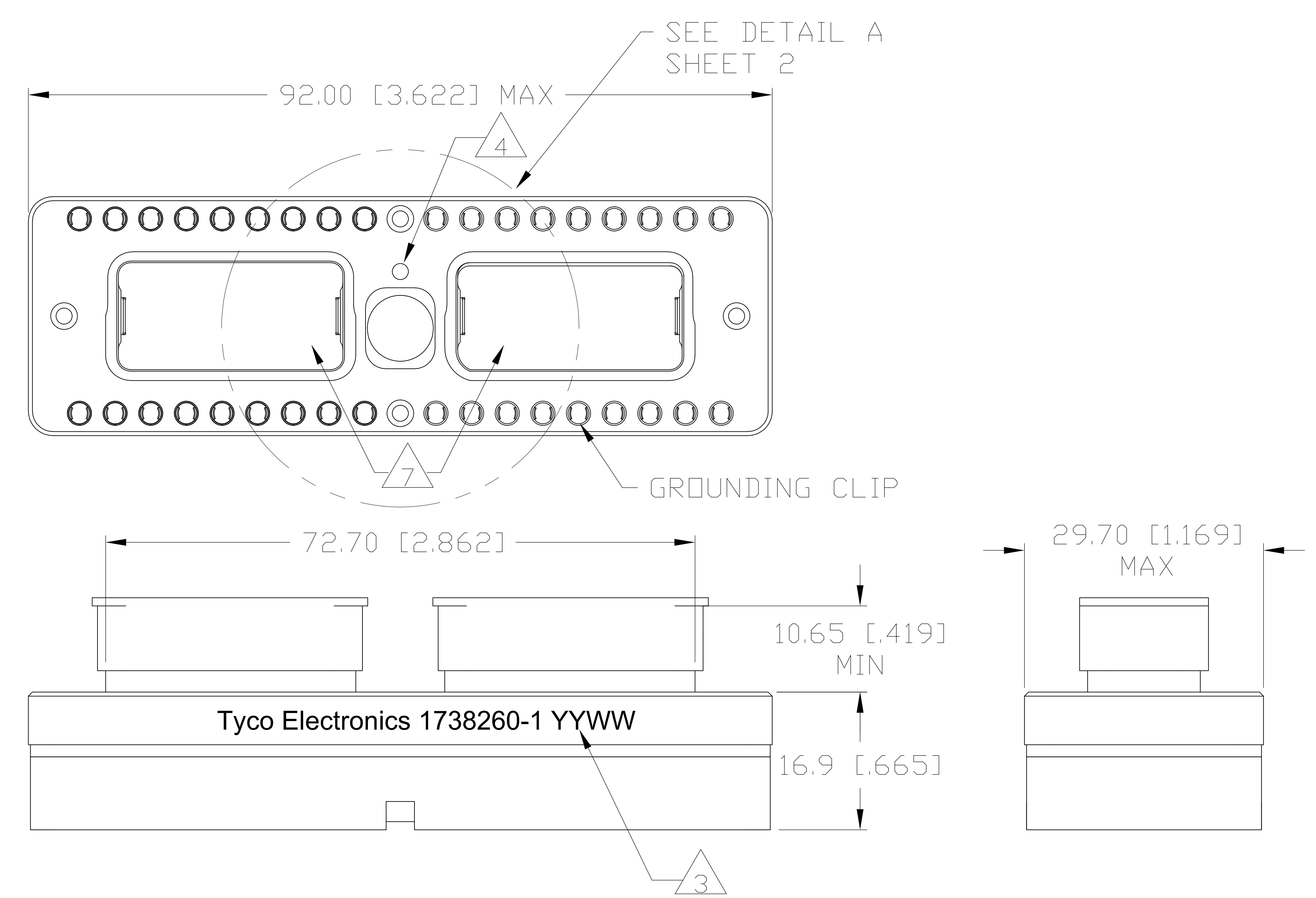
8 36 CAVITIES FOR GROUNDING CONTACTS PER M39029/1-101.  
 GROUNDING CONTACTS, TYCO PART NUMBER 2-592404-1, MAY  
 BE PURCHASED SEPARATELY.

9 THE JACKSCREW AND RETAINING NUT ARE SHIPPED UNASSEMBLED.  
 THE CUSTOMER SHALL APPLY LOCTITE® PRODUCT 272 THREADLOCKING ADHESIVE  
 WHEN INSTALLING THESE ON THE SHELL ASSEMBLY. LOCTITE® IS A  
 REGISTERED TRADEMARK OF LOCTITE CORPORATION.

10 A SPANNER WRENCH TOOL, TYCO ELECTRONICS P/N 1738220-1 (WITH 1/4-in ADAPTER)  
 OR 1738221-1 (WITH T-HANDLE), IS USED TO LOCK THE RETAINING NUT.  
 RECOMMENDED LOCKING TORQUE: 1.5 N-m [13 in-lb].

11. DESCRIPTIVE PART NUMBER: GPRB2WB12N  
 SERIES: GPRB  
 SHELL SIZE: 2 (TWO-CAVITY SHELL)  
 SHELL STYLE: W (PLUG, WITH GROUNDING BLOCK)  
 MODIFICATION CODE: B (NO MOUNTING HOLES)  
 LOCKING AND POLARIZING DEVICE: 1 (JACKSCREW)  
 POLARIZATION CODE: 2 (A-F JACKSCREW HARDWARE SHIPPED UNASSEMBLED)  
 SHELL PLATING: N (NICKEL PLATING)

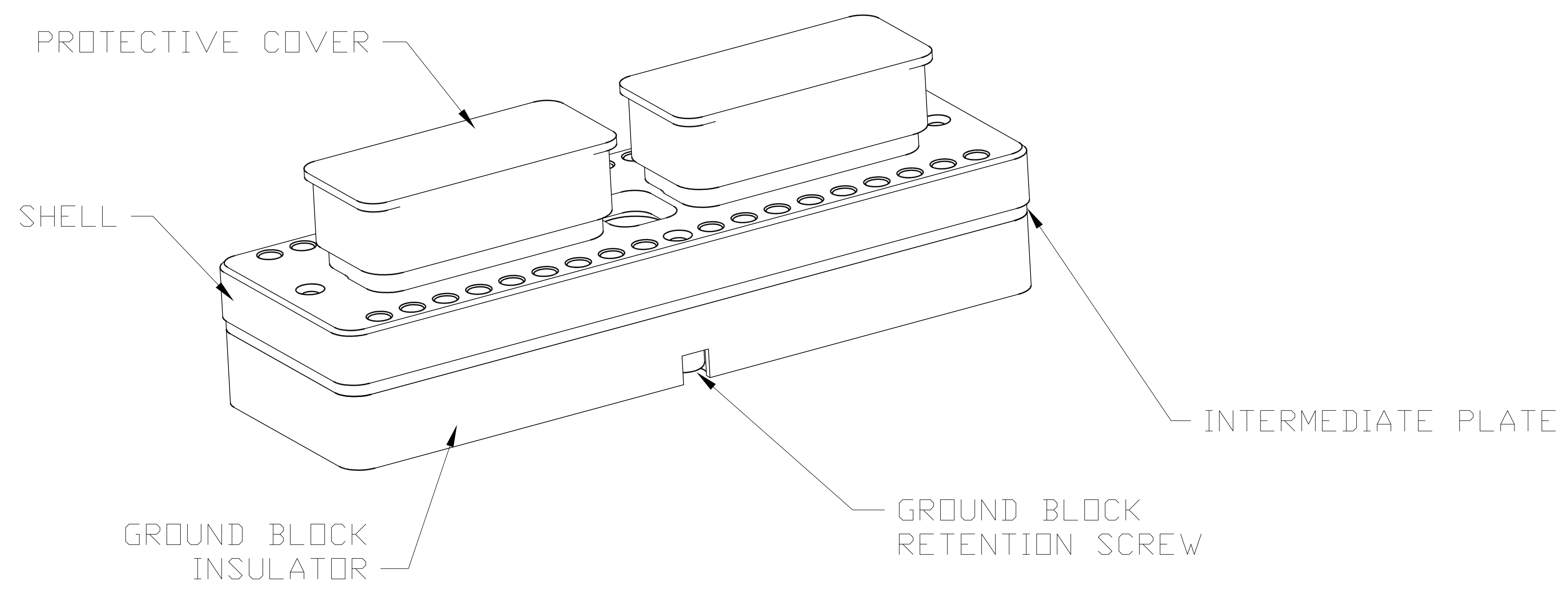
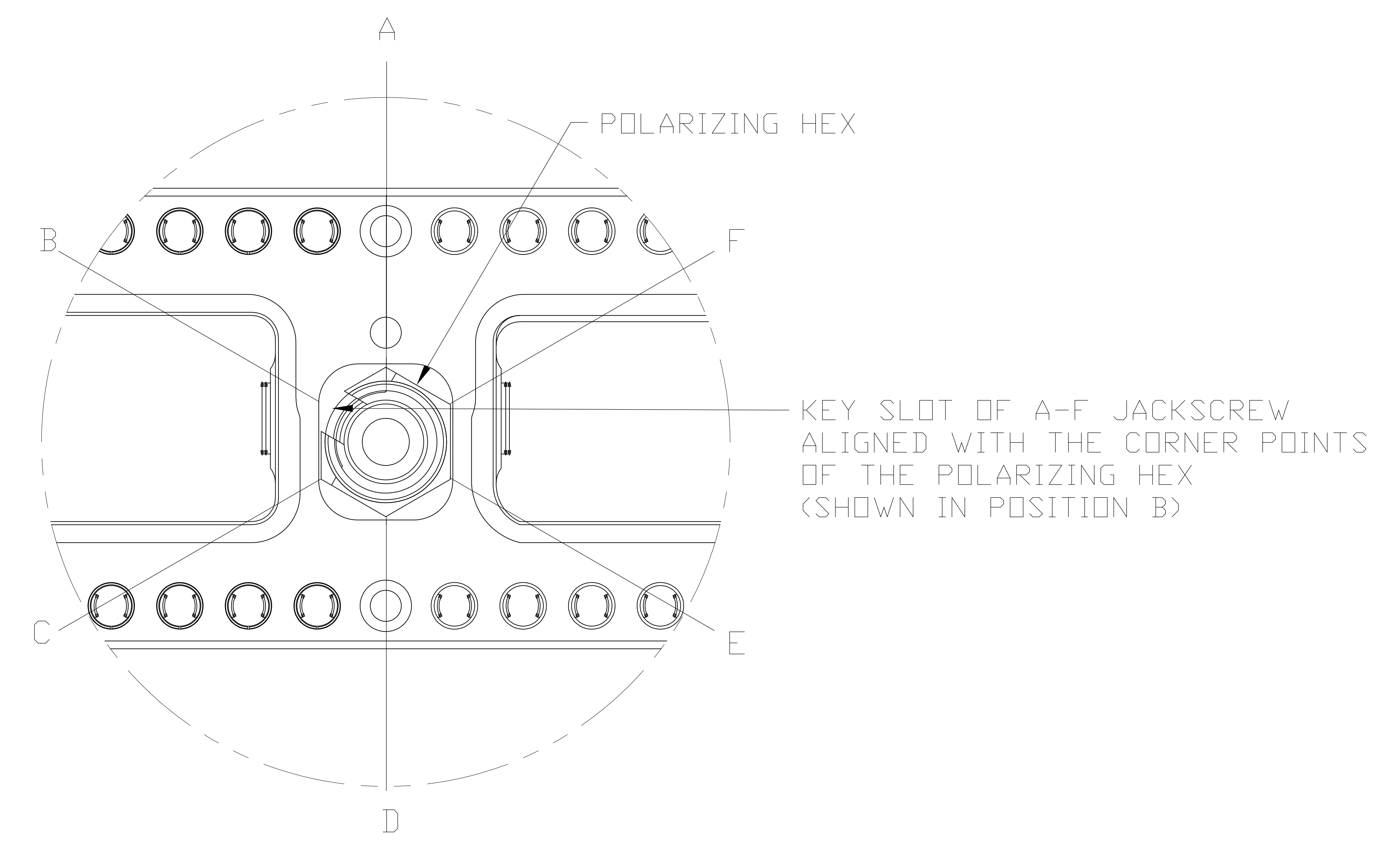
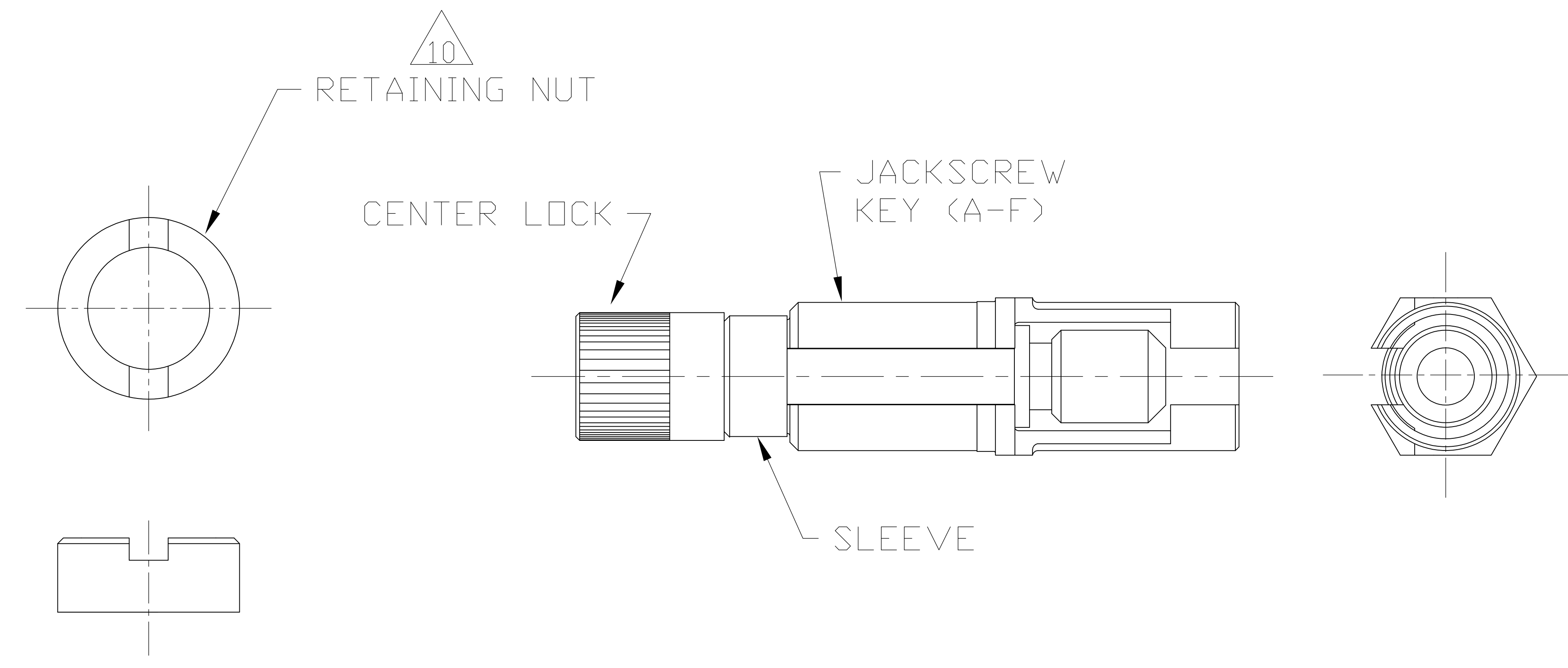
12. THIS PRODUCT IS SOLD BY TYCO ELECTRONICS UNDER A LICENSE FROM RADIALL SA.



THIS PRINT IS  
**PRELIMINARY**  
 UNQUALIFIED PRODUCT  
 CONTACT PRODUCT ENGINEERING  
 BEFORE USING THIS PRINT

1738260-1  
 PART NUMBER

THIS DRAWING IS A CONTROLLED DOCUMENT.		DATE	BY	APP'D	Tyco Electronics Corporation Harrisburg, Pa 17105-3608
DIMENSIONS: (UNLESS OTHERWISE SPECIFIED):		DATE	BY	APP'D	
mm (INCHES)	mm (INCHES)	DATE	BY	APP'D	PLUG SHELL KIT, WITH GROUND BLOCK, WITH A-F JACKSCREW, GPRB2
0.10 (0.004)	0.10 (0.004)	DATE	BY	APP'D	SIZE: 1738260-1 DATE CODE: 00779 DRAWING NO: 1738260
0.25 (0.010)	0.25 (0.010)	DATE	BY	APP'D	WEIGHT: -- FINISH: -- CUSTOMER DRAWING
0.50 (0.020)	0.50 (0.020)	DATE	BY	APP'D	SCALE: 1:1 SHEET: 1 OF 2 REV: 2



THIS PRINT IS  
**PRELIMINARY**  
UNQUALIFIED PRODUCT  
CONTACT PRODUCT ENGINEERING  
BEFORE USING THIS PRINT

1738260-1  
PART NUMBER

THIS DRAWING IS A CONTROLLED DOCUMENT.		DATE	REV	BY	APP'D	Tyco Electronics Corporation Harrisburg, Pa 17105-3608	
DIMENSIONS: mm (INCHES)		DESIGN	DATE	BY	APP'D	Tyco Electronics Corporation	
TOLERANCES UNLESS OTHERWISE SPECIFIED:		PLUG SHELL KIT	DATE	BY	APP'D	PLUG SHELL KIT, WITH GROUND BLOCK, WITH A-F JACKSCREW, GPRB2	
Ø	FRACTIONAL	PRODUCT SPEC	DATE	BY	APP'D	SIZE	
Ø	FRACTIONAL	APPLICATION SPEC	DATE	BY	APP'D	SCALE	
Ø	FRACTIONAL	WEIGHT	DATE	BY	APP'D	SHEET	
MATERIAL	FINISH	CUSTOMER DRAWING	DATE	BY	APP'D	REV	

单击下面可查看定价，库存，交付和生命周期等信息

[>>TE Connectivity\(泰科\)](#)