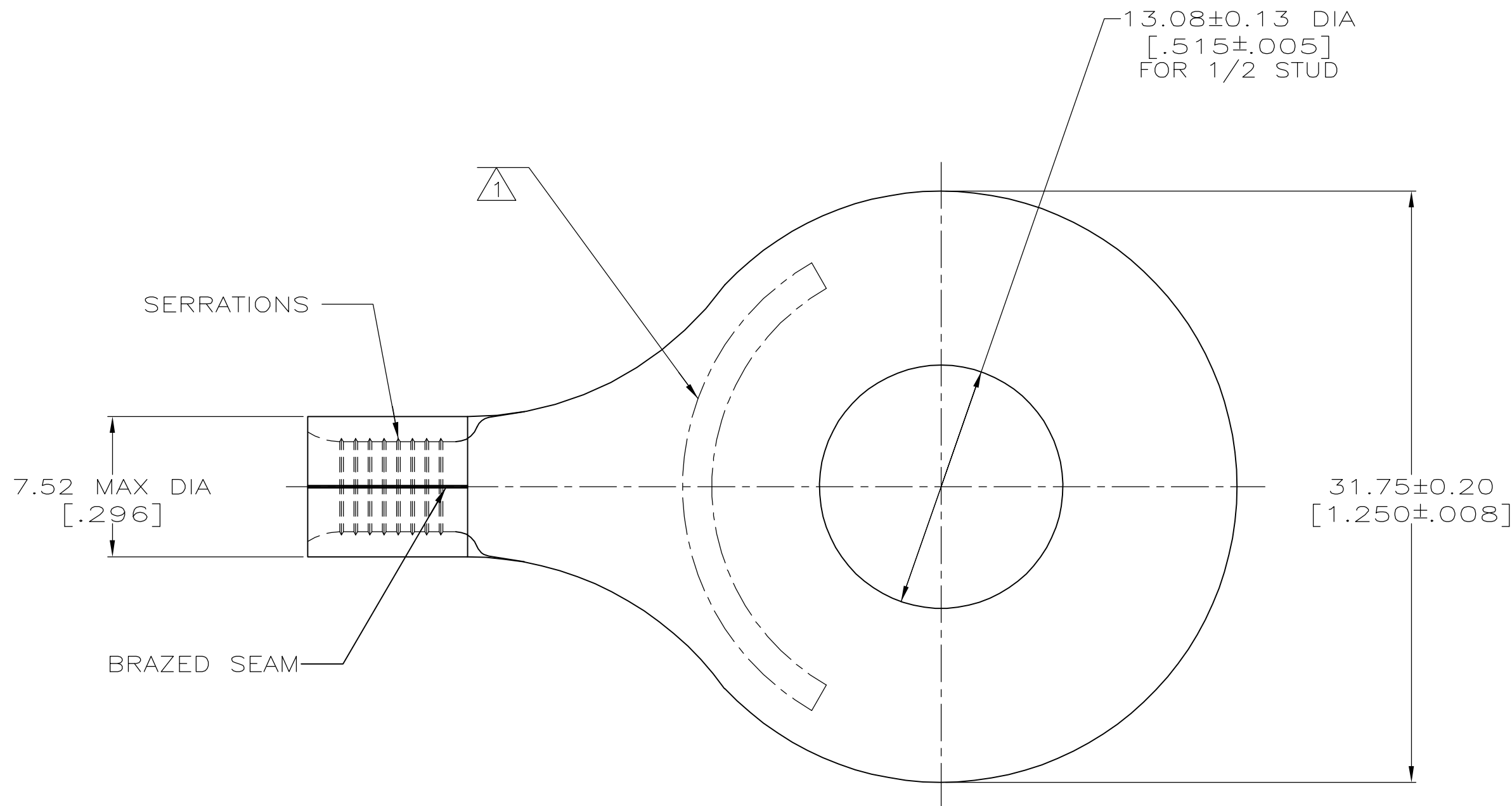


THIS DRAWING IS UNPUBLISHED. RELEASED FOR PUBLICATION, 19 .  
 © COPYRIGHT 19 BY AMP INCORPORATED. ALL INTERNATIONAL RIGHTS RESERVED.

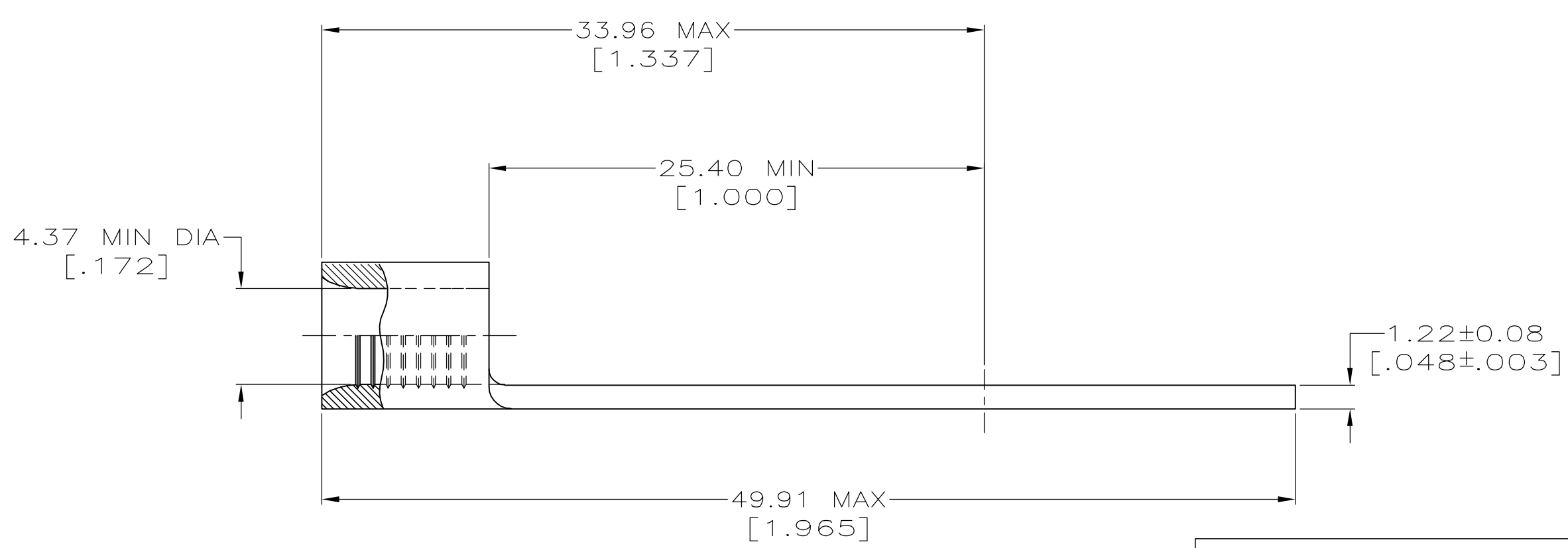
| LOC | DIST | P | F | ZONE | LTR | DESCRIPTION              | DATE    | APPD  |
|-----|------|---|---|------|-----|--------------------------|---------|-------|
| G   | 14   |   |   |      |     | G1 REV PER ECR-06-014478 | 14JUN06 | JR TM |

**METRIC**  
 DIMENSIONS LISTED IN mm [ INCHES ]



|                               |                           |
|-------------------------------|---------------------------|
| <b>AMP</b><br>WIRE RANGE      | Listed                    |
| 8 AWG<br>SOLID OR STRANDED    | 8 AWG<br>STRANDED         |
| <b>UL</b> LR7189<br>Certified | MILITARY P/N<br>AND CLASS |
| 8 AWG<br>SOLID OR STRANDED    | NOT<br>APPLICABLE         |

△ STAMP AMP 8\* APPROX AS SHOWN



| 25       | LOOSE PIECE, BOX | 8-35664-3 |
|----------|------------------|-----------|
| ----     | LOOSE PIECE      | 35664     |
| QUANTITY | PACKAGE TYPE     | PART NO   |

**AMP INCORPORATED  
 CUSTOMER SERVICE SYSTEMS**

MAX RECOMMENDED OPERATING TEMPERATURE:  
 170° C MAX

DO NOT SCALE PRINT. UNLESS SPECIFIED  
 DIMENSIONS IN mm [INCHES]—  
 TOLERANCES ON :  
 2 PLC DEC ± -  
 3 PLC DEC ± -  
 ANGLES ± -

DR 3-24-93  
 TA BRINKMAN  
 CHK 3-24-93  
 DA PATTERSON  
 APPD 3-24-93  
 DE MILLER  
 APPD 3-24-93  
 JL MECKLEY

**AMP** AMP Incorporated  
 Harrisburg, PA 17105-3608

FOR ADDITIONAL PRODUCT INFORMATION OR COPIES OF DRAWINGS AND TECHNICAL DOCUMENTS

PRODUCT INFORMATION CENTER  
 1-800-522-6752

VOLTAGE RATING:  
 NOT APPLICABLE

MATERIAL  
 COPPER PER ASTM B-152 ANNEALED

PRODUCT SPEC  
 -

NAME  
**TERMINAL, RING TONGUE,  
 SOLISTRAND™**

FOR APPLICATION TOOLING INFORMATION

TOOLING ASSISTANCE CENTER  
 1-800-722-1111

WIRE CROSS SECTIONAL AREA RANGE:  
 6.64-10.5MM<sup>2</sup> [13,100-20,800] CIR MILS  
 SOLID OR STRANDED

FINISH  
 TIN PLATE 0.00254 [.000100] MIN THK PER MIL-T-10727

APPLICATION SPEC  
 -

SIZE  
 C 00779 C= 35664

FOR ORDER ENTRY

1-800-526-5142

THIS DRAWING IS A CONTROLLED DOCUMENT FOR AMP INCORPORATED. IT IS SUBJECT TO CHANGE AND THE CONTROLLING ENGINEERING ORGANIZATION SHOULD BE CONTACTED FOR THE LATEST REVISION.

WEIGHT  
 -

SCALE  
 4:1

DRAWING NO  
 SHEET 10F 1

单击下面可查看定价，库存，交付和生命周期等信息

[>>TE Connectivity\(泰科\)](#)