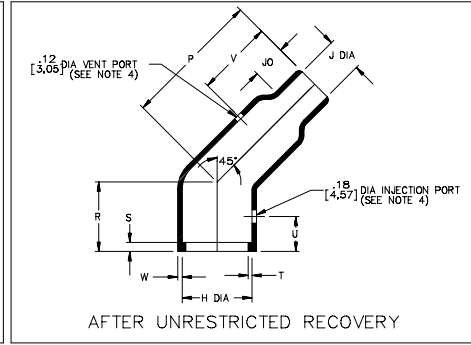
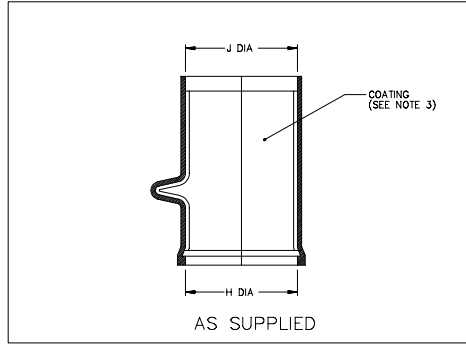


Thermofit Molded Parts Specification Control Drawing

Part Number : 242A312 & 322
Description : Boot, 45°, With Lip

NOTES

- All dimensions are in $\frac{\text{inches}}{\text{millimeters}}$
- Dimensions appearing in table are as follows:
 - a - As Supplied
 - b - After Unrestricted Recovery
- Coating is optional. As supplied dimensions appearing in table are for uncoated parts. When coating is added, entry diameters will be reduced by .06 max.
- Molding parts are optional. When -00 modification number is specified molding parts will be reduced as shown.
- For corresponding adapter see drawing number 202C221 thru 302.



| PART NUMBER | H | | J | | P ±10% | R ±10% | S ±10% | T ±10% | U Ref | V Ref | JO ±10% | W ±20% | This Boot Fits Convolex Tubing |
|-------------|----------------|---------------|----------------|---------------|----------------|----------------|---------------|---------------|---------------|----------------|---------------|---------------|--------------------------------|
| | Min a | Max b | Min a | Max b | | | | | | | | | |
| 242A312 | 1.00 [25,4] | .70 [17,8] | 1.00 [25,4] | .37 [9,4] | 1.62 [41,1] | 1.00 [25,4] | .12 [3,05] | .05 [1,27] | .47 [11,9] | 1.03 [26,2] | .42 [10,7] | .06 [1,52] | 3/8" thru 1/2" |
| 242A322 | 1.50 [38,1] | .95 [24,1] | 1.50 [38,1] | .49 [12,4] | 1.75 [44,5] | 1.00 [25,4] | .12 [3,05] | .05 [1,27] | .47 [11,9] | 1.03 [26,2] | .42 [10,7] | .06 [1,52] | 1/2 thru 1" |

Raychem

RAYCHEM CORPORATION
300 CONSTITUTION DRIVE
MENLO PARK, CALIFORNIA 94025

Revision : D
Date : 9/22/99

Part Number : 242A312 & 322
Description : Boot, 45°, With Lip

Thermofit Molded Parts Specification Control Drawing

Part Number : 242A312 & 322
Description : Boot, 45°, With Lip

| MATERIAL DASH NO. | MATERIAL DESCRIPTION | RT SPEC | COATING SLASH NO. | COATING S NO. | COATING DESCRIPTION |
|-------------------|----------------------------|---------|-------------------|---------------|---------------------|
| -3 | Polyolefin, Semi-rigid | RT-301 | /42;/86 | S-1017;S-1048 | Adhesive |
| -4 | Polyolefin, Flexible | RT-1304 | /42;/86 | S-1017;S-1048 | Adhesive |
| -12 | *VITON, Flexible | RT-1312 | N/A | | |
| -25 | Elastomer, Fluid Resistant | RT-1325 | /86 | S-1048 | Adhesive |

*VITON is a Registered Trademark of Dupont

ORDERING INFORMATION

242A3XX -XX -XX /XXX

Base part number _____

Material dash number _____
(See Compatability Chart)

Modification number _____
(If necessary, see front of scd binder for a complete list)

Adhesive slash number _____
(If necessary, see Compatability Chart)

THIS DRAWING IS SUBJECT TO CHANGE WITHOUT NOTICE; CONSULT YOUR NEAREST FIELD REPRESENTATIVE FOR CURRENT REVISION

Raychem

RAYCHEM CORPORATION
300 CONSTITUTION DRIVE
MENLO PARK, CALIFORNIA 94025

Revision : E
Date : 9/22/99

Part Number : 242A312 & 322
Description : Boot, 45°, With Lip

CAD FILE MP99172

If this document is printed it becomes uncontrolled.
Check for the latest revision.

单击下面可查看定价，库存，交付和生命周期等信息

[>>TE Connectivity\(泰科\)](#)