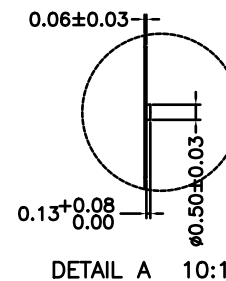
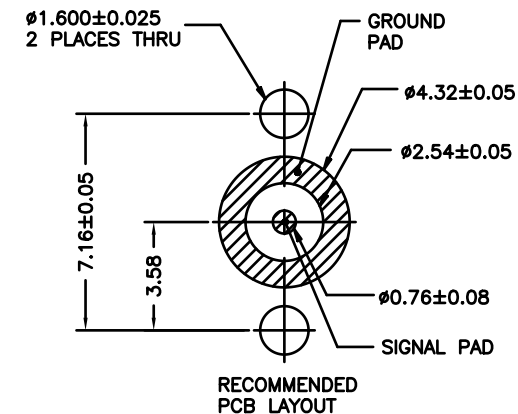
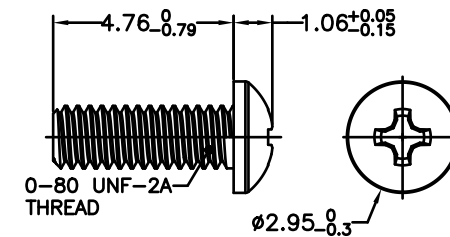
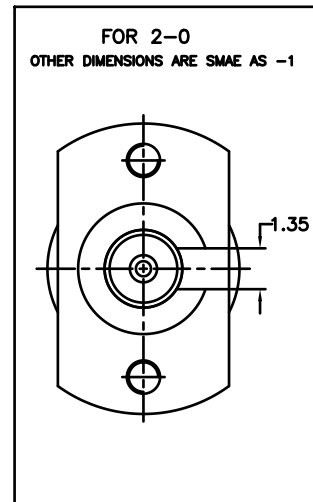
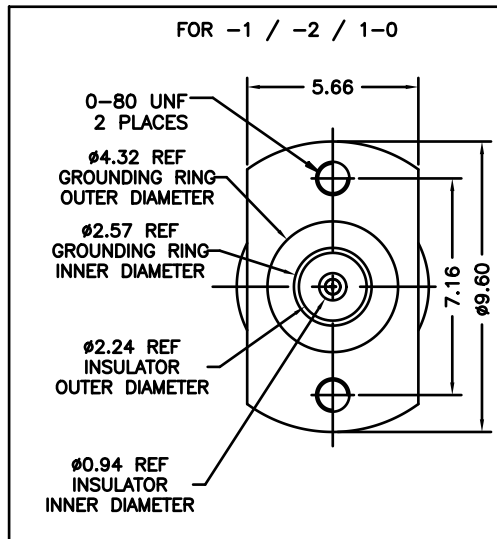
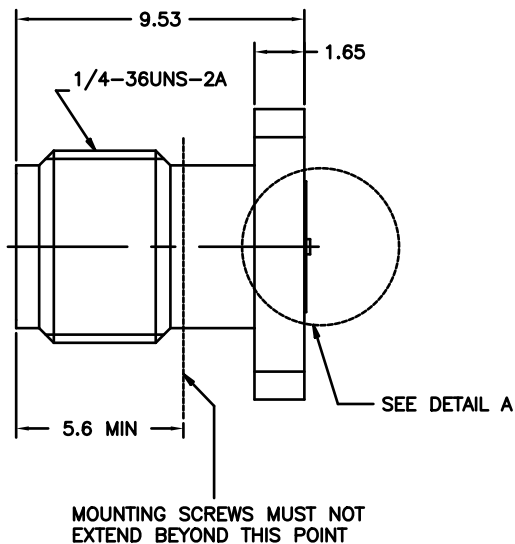


THIS DRAWING IS UNPUBLISHED. RELEASED FOR PUBLICATION
 © COPYRIGHT By ALL RIGHTS RESERVED.

| REVISIONS | | | | |
|-----------|---------------|-------------|-----------|----------|
| # | LR | DESCRIPTION | DATE | BY / APP |
| A2 | ECR-19-009451 | | 20JUN2019 | RZ / RS |



| ELECTRICAL | MECHANICAL | ENVIRONMENTAL |
|---|---|--|
| Impedance (Ohm) 50 | Interface Dimension MIL-STD-348B Fig. 310-2 | TEMPERATURE RANGE -65°C TO +105°C |
| Frequency Range (GHz) DC to 27GHz | Recommended Coupling Torque 7 to 10 In-Lbs | THERMAL SHOCK MIL-STD-202, METH.107, COND.A |
| Voltage Rating (Peak) @ Sea Level 350 V RMS | Mating Characteristics: insertion (MAX Lbs) 3.0 withdrawal (MIN Oz) 1.0 | CORROSION MIL-STD-202, METH.101, COND.B |
| Insulation Resistance (MIN.) 1000 M ohms | Force to Engage and Disengage (In/lbs) | VIBRATION MIL-STD-202, METH.204, COND.D |
| Contact Resistance (Milliohms MAX) Center Contact 6.0 Outer Contact 2.0 | Center Contact Captivation Axial (Lbs) 6.0 Radial (In/Oz) N/A | SHOCK MIL-STD-202, METH.213, COND.I |
| Dielectric Withstand Voltage: 750 V RMS Max | Cable Retention Axial (Lbs) N/A Radial (In/Oz) N/A | MOISTURE RESISTANCE MIL-STD-202, METH.106, |
| Insertion Loss : 0.06*SQRT(F) dB | Mating cycles 500 cycles | ROHS COMPLIANT |
| VSWR: 1.05 + 0.05*SQRT(F) | | |
| RF leakage: N/A | | |
| 3rd Intermodulation: N/A | | |

| QTY | DESCRIPTION | MATERIAL | ITEM |
|-----|-------------|----------|----------------|
| 2 | PASSIVATE | STEEL | SCREW |
| 1 | CuZnSn2um | BRASS | OUTER CONTACT |
| 1 | PASSIVATE | STEEL | OUTER CONTACT |
| 1 | PTFE | PTFE | INSULATION |
| 1 | Ag3um | BECU | CENTER CONTACT |
| 1 | Au1.27um | BECU | CENTER CONTACT |
| 2-0 | 1-0 | -2 | -1 |
| | PLATING | MATERIAL | DESCRIPTION |
| | | | ITEM |

| QUANTITY PER ASSY | | PAST LIST | |
|-------------------|------------|-----------|--------|
| 0 | PLC ± | 00779 | 619550 |
| 1 | PLC ± 0.2 | | |
| 2 | PLC ± 0.10 | | |
| 3 | PLC ± | | |
| 4 | PLC ± | | |
| | ANGLES ± 1 | | |
| | FINISH | | |
| | SEE TABLE | | |

| | | |
|--|--|---------------------------|
| THIS DRAWING IS A CONTROLLED DOCUMENT. | | DATE: 27 SEP 2012 |
| DIMENSIONS: mm | TOLERANCES UNLESS OTHERWISE SPECIFIED: | BY: RING LIU |
| | 0 PLC ± | DATE: 27 SEP 2012 |
| | 1 PLC ± 0.2 | CHK: RITA ZUO |
| | 2 PLC ± 0.10 | APPD: MARTIN YE |
| | 3 PLC ± | DATE: 27 SEP 2012 |
| MATERIAL: SEE TABLE | FINISH: SEE TABLE | NAME: SMA JACK 2 H FLANGE |
| | | SIZE: A2 |
| | | SCALE: 10:1 |
| | | SHEET: 1 OF 1 |
| | | REV: A2 |

单击下面可查看定价，库存，交付和生命周期等信息

[>>TE Connectivity\(泰科\)](#)