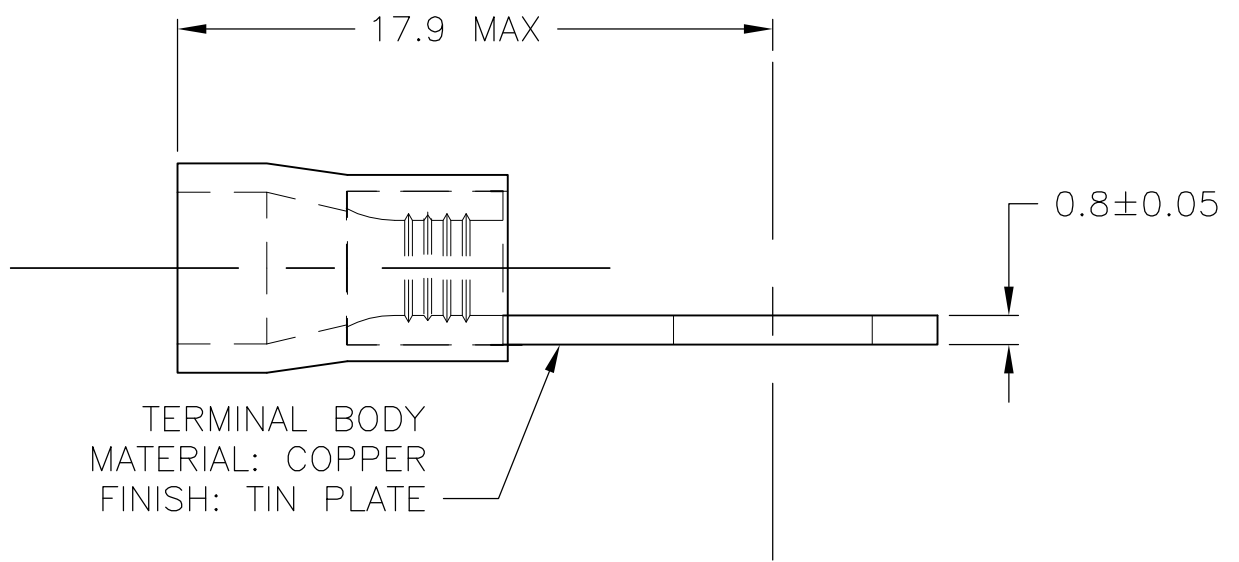
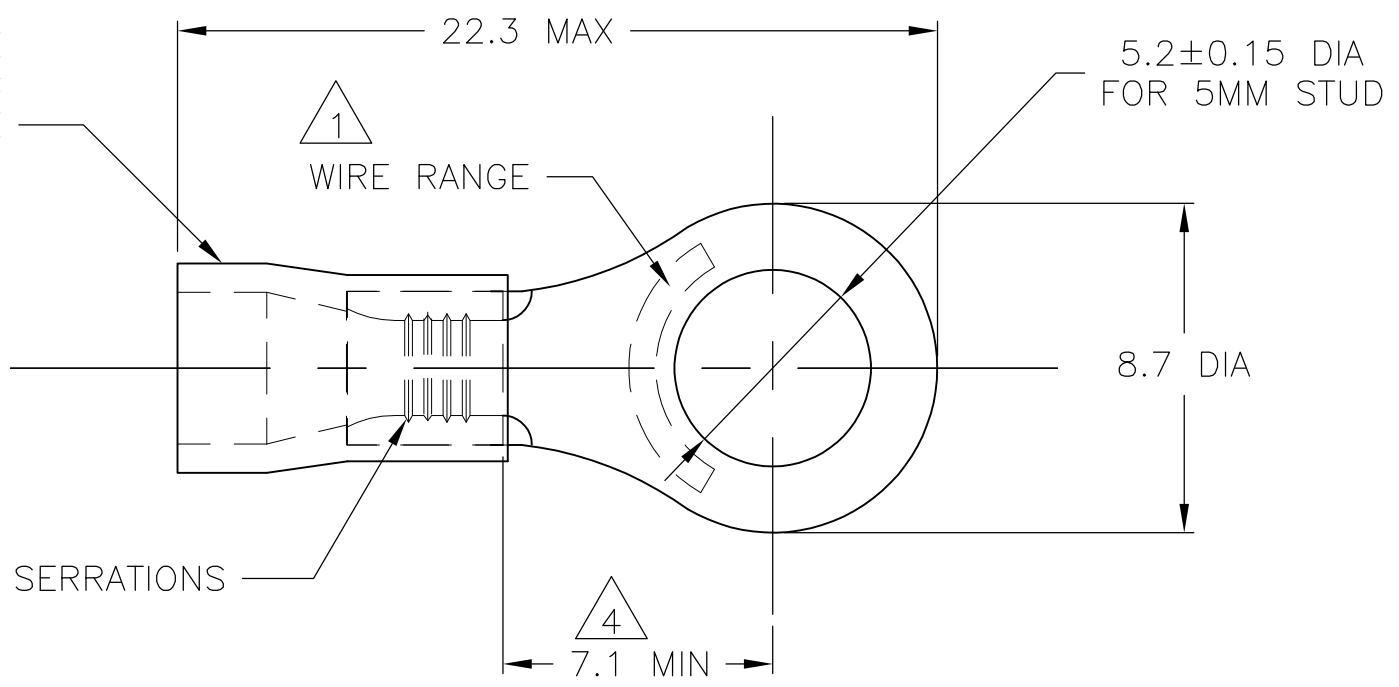


THIS DRAWING IS UNPUBLISHED. RELEASED FOR PUBLICATION  
 © COPYRIGHT - By - ALL RIGHTS RESERVED.

LOC	DIST	REVISIONS					
G	02	P	LTR	DESCRIPTION	DATE	DWN	APVD
		E1		REVISED PER ECO-11-005027	11MAR11	RK	HMR

INSULATION SLEEVE  
 MATERIAL: PVC  
 COLOR: BLUE



TERMINAL BODY  
 MATERIAL: COPPER  
 FINISH: TIN PLATE

<b>AMP</b> WIRE RANGE	Listed FILE E13288
16-14 AWG SOLID OR STRANDED	16-14 AWG SOLID OR STRANDED

- 1 WIRE SIZE IS 16-14 AWG
- 2 WIRE INSULATION DIA: 3.0-4.9
- 3 MATERIAL THICKNESS IS 0.80±0.05
- 4 DIMENSION APPLIES FROM EDGE OF METAL WIRE BARREL TO CENTER OF STUD HOLE.
- 5 600 VOLT MAX
- 6 CIRCULAR MIL AREA, 2,050 - 5,180 (1.04mm<sup>2</sup>-2.62mm<sup>2</sup>)
- 7 SUPERSEDED BY 130102

PLASTIC BAG W/HEADER	STANDARD	100	7 8-130102-0
TAPED MOUNTED	STANDARD	5000	2-130102-1
PLASTIC BAG	STANDARD	1000	130102
PACKAGING	LABELLING	QTY	PART NO

THIS DRAWING IS A CONTROLLED DOCUMENT.		DWN jr ruth 06DEC05	TE Connectivity	
DIMENSIONS: mm		CHK T MICHIELUTTI 06DEC05		
TOLERANCES UNLESS OTHERWISE SPECIFIED:		APVD T MICHIELUTTI 06DEC05	NAME	
0 PLC ± -		PRODUCT SPEC	TERMINAL, RING TONGUE, PLASTI-GRIP,	
1 PLC ± 0.5		APPLICATION SPEC	SIZE	RESTRICTED TO
2 PLC ± -		WEIGHT	A3	
3 PLC ± -		CUSTOMER DRAWING	CAGE CODE	
4 PLC ± -			00779	
ANGLES ± 1°			DRAWING NO	
FINISH			G-130102	
MATERIAL			SCALE	
			5:1	
			SHEET	
			1 OF 1	
			REV	
			E1	

单击下面可查看定价，库存，交付和生命周期等信息

[>>TE Connectivity\(泰科\)](#)