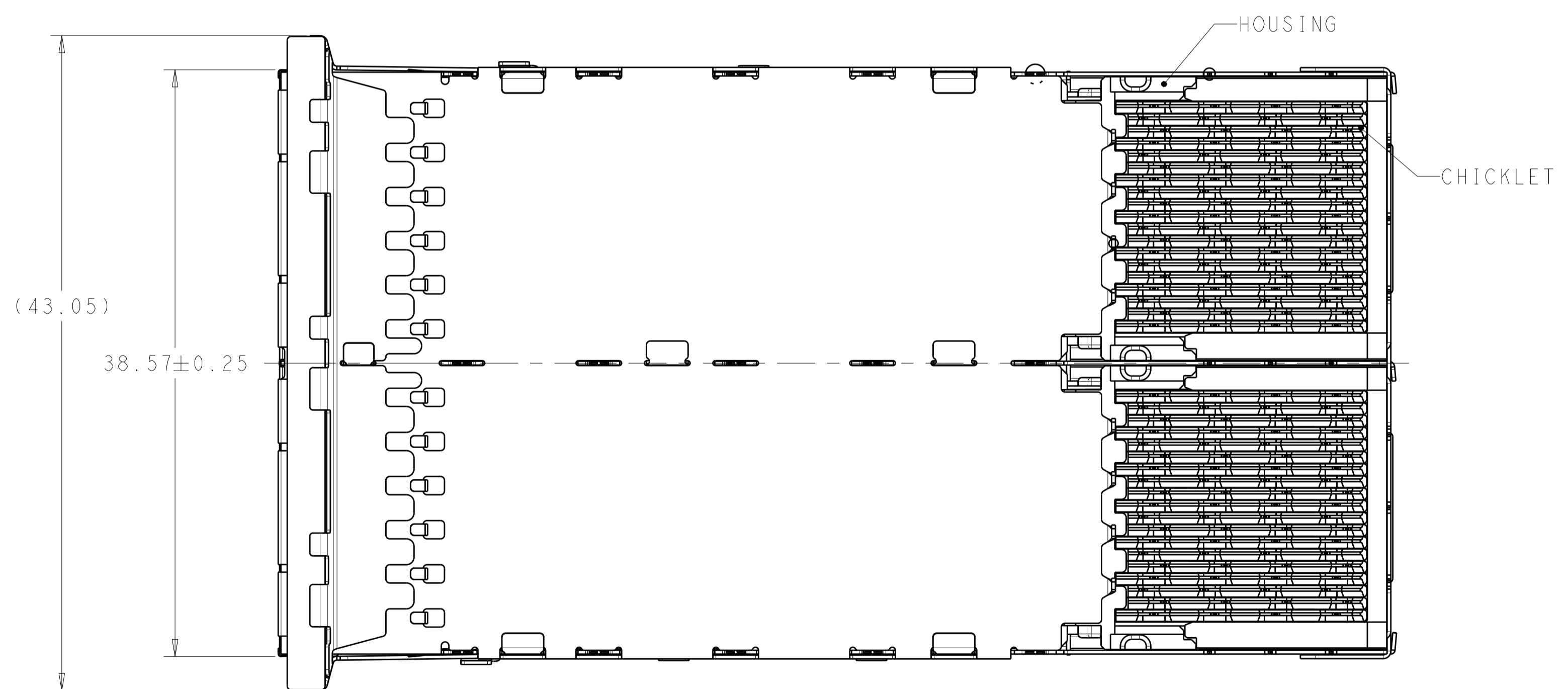
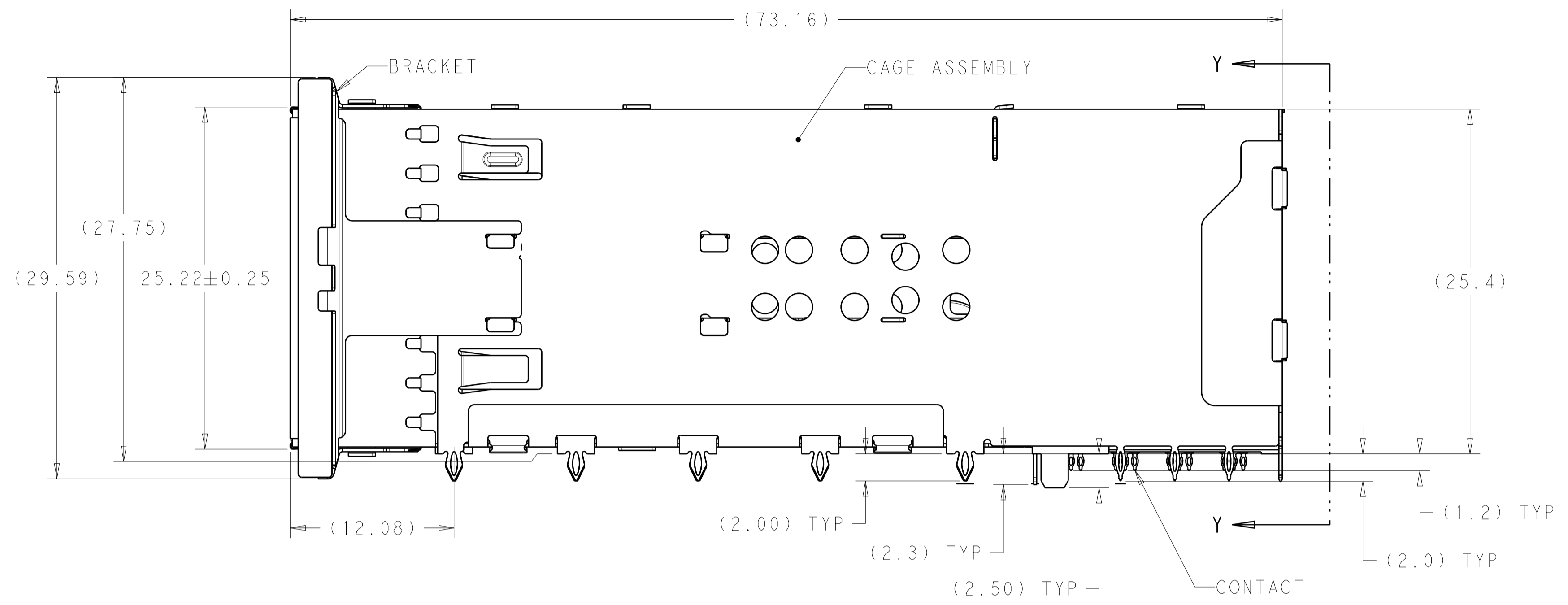
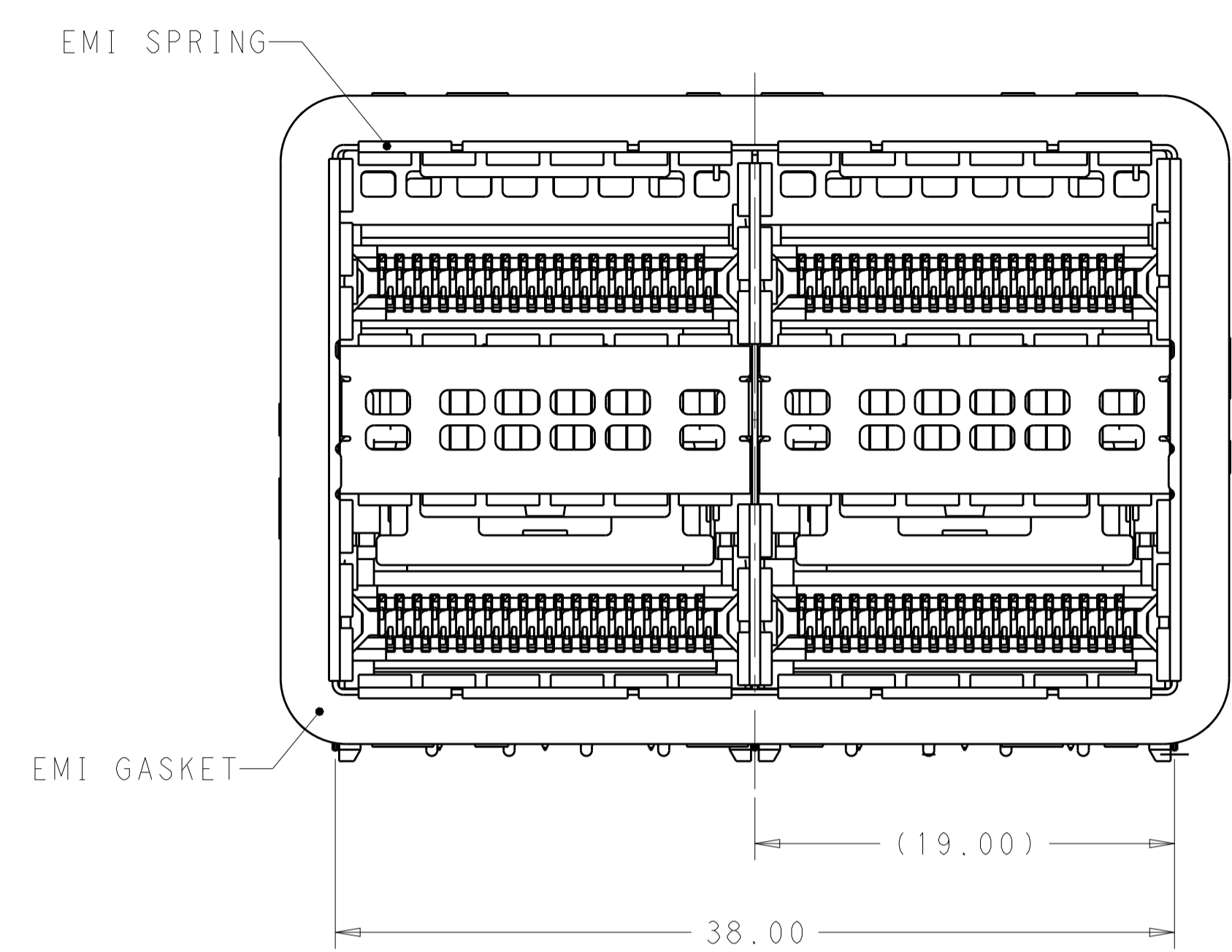


LOC	DIST	REVISIONS					
GP	00	P	LTN	DESCRIPTION	DATE	DWN	APVD
		A		RELEASED FOR PRODUCTION	29FEB2016	TX	SH



- MATERIALS:
 CAGE ASSEMBLY- NICKEL SILVER ALLOY PER ASTM B 122.
 BRACKET- NICKEL SILVER ALLOY PER ASTM B 122.
 EMI SPRING- COPPER ALLOY, NICKEL PLATED.
 EMI GASKET- PLATED FILLED SILICONE WITH 94V-0.
 HOUSING- POLYESTER LCP WITH 94V-0.
 CHICKLET- POLYESTER LCP WITH 94V-0.
 CONTACT- COPPER ALLOY.
 LIGHTPIPE- POLYCARBONATE WITH 94V-0.

- CONTACT FINISH: 0.76µm GOLD ON MATING END, 1.25µm MATT TIN ON SOLDER TAIL, ALL OVER 1.27µm NICKEL.
- DATUM AND BASIC DIMENSION ESTABLISHED BY CUSTOMER.
- MINIMUM PCB THICKNESS OF 1.57.
- THE ENTIRE AREA OF THE CONNECTOR FOOTPRINT, INDICATED BY THE DASHED LINE, TO BE CONSIDERED THE KEEPOUT AREA FOR COMPONENTS.
- CROSS-HATCHED AREAS REPRESENT ZONES ON THE PCB THAT COME IN CONTACT WITH OR BE IN CLOSE PROXIMITY TO THE PLASTIC HOUSING OR THE CONNECTOR CAGE. INDICATED AREAS TO BE CONSIDERED TRACE FREE.
- PART NUMBER AND DATE CODE MADE IN APPROXIMATE AREA SHOWN.
- HATCHED AREA IS PLACEMENT ZONE FOR LED. LED SHOULD BE CENTERED WITHIN ZONE. RECOMMEND 0805 PACKAGE.
- CONTACT FINISH: 0.08µm MINIMUM GOLD OVER 0.68µm PALLADIUM-NICKEL ON MATING END, 1.25µm MATT TIN ON SOLDER TAIL, ALL OVER 1.27µm NICKEL.

CONTACT FINISH	DESCRIPTION	PART NUMBER
9	LEFT INDICATOR DOWN	2214593-6
9	LEFT INDICATOR UP	2214593-5
9	NO LIGHTPIPE	2214593-4
2	LEFT INDICATOR DOWN	2214593-3
2	LEFT INDICATOR UP	2214593-2
2	NO LIGHTPIPE	2214593-1

THIS DRAWING IS A CONTROLLED DOCUMENT. DIMENSIONING AND TOLERANCING PER ASME Y14.5M-2009. TOLERANCES UNLESS OTHERWISE SPECIFIED:

DIMENSIONS:	mm	0 PLC ±0.25	1 PLC ±0.15	2 PLC ±0.10	3 PLC ±0.05	4 PLC ±0.02	ANGLES ±0.1	FINISH ±0.05
-------------	----	-------------	-------------	-------------	-------------	-------------	-------------	--------------

MATERIAL: SEE NOTE 1
 FINISH: SEE NOTE 2

THIS DRAWING IS A CONTROLLED DOCUMENT. DIMENSIONING AND TOLERANCING PER ASME Y14.5M-2009. TOLERANCES UNLESS OTHERWISE SPECIFIED:

DIMENSIONS:	mm	0 PLC ±0.25	1 PLC ±0.15	2 PLC ±0.10	3 PLC ±0.05	4 PLC ±0.02	ANGLES ±0.1	FINISH ±0.05
-------------	----	-------------	-------------	-------------	-------------	-------------	-------------	--------------

MATERIAL: SEE NOTE 1
 FINISH: SEE NOTE 2

APVD: M. SHIRK 24FEB2012
 CHK: D. SZCZESNY 24FEB2012

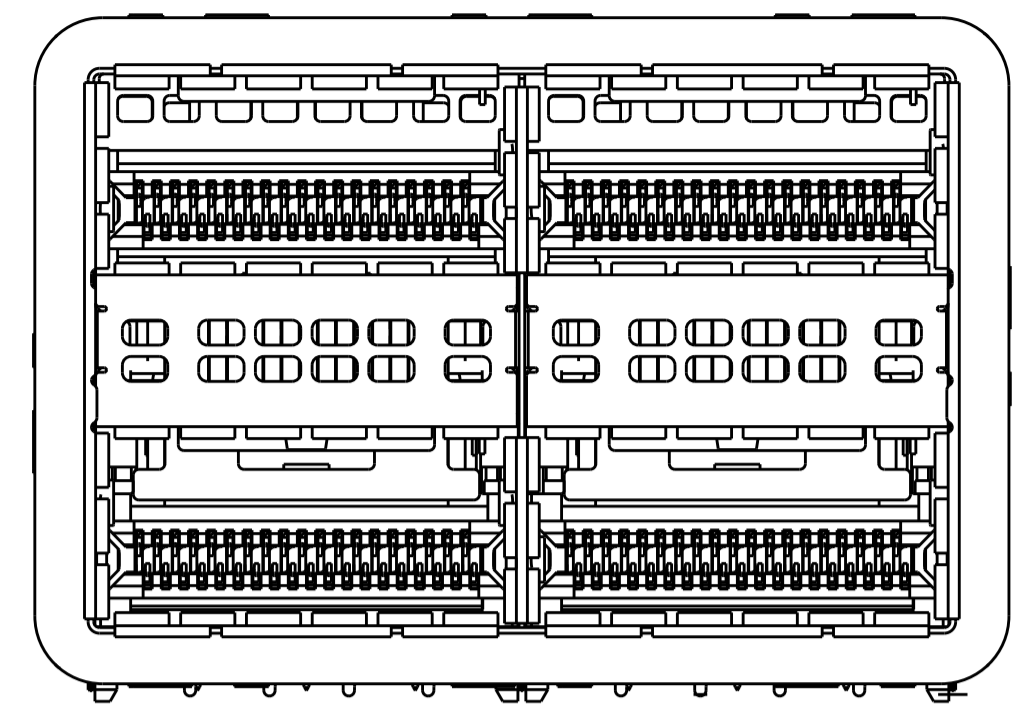
PRODUCT SPEC: 108-60102
 APPLICATION SPEC: 114-60015

WEIGHT: -
 CUSTOMER DRAWING

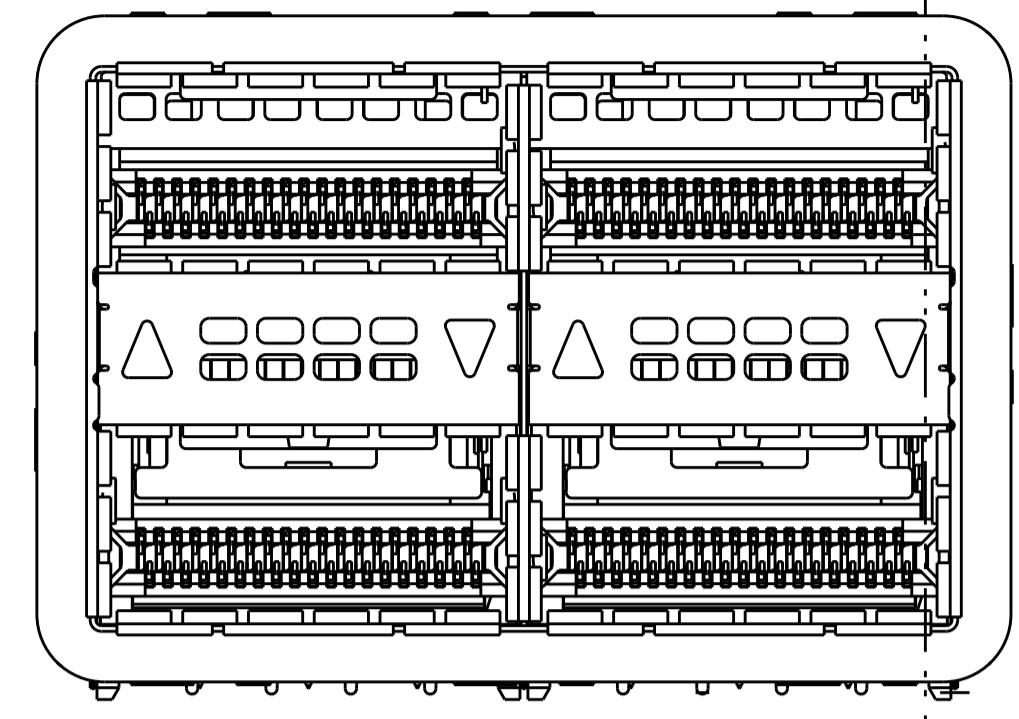
NAME: CAGE AND CONNECTOR ASSEMBLY, WITH EMI GASKET, 2X2, ZQSFP+ STACKED
 SIZE: A1
 CAGE CODE: 100779
 DRAWING NO: 2214593

RESTRICTED TO: -
 SCALE: 4:1
 SHEET: 1 OF 4
 REV: A

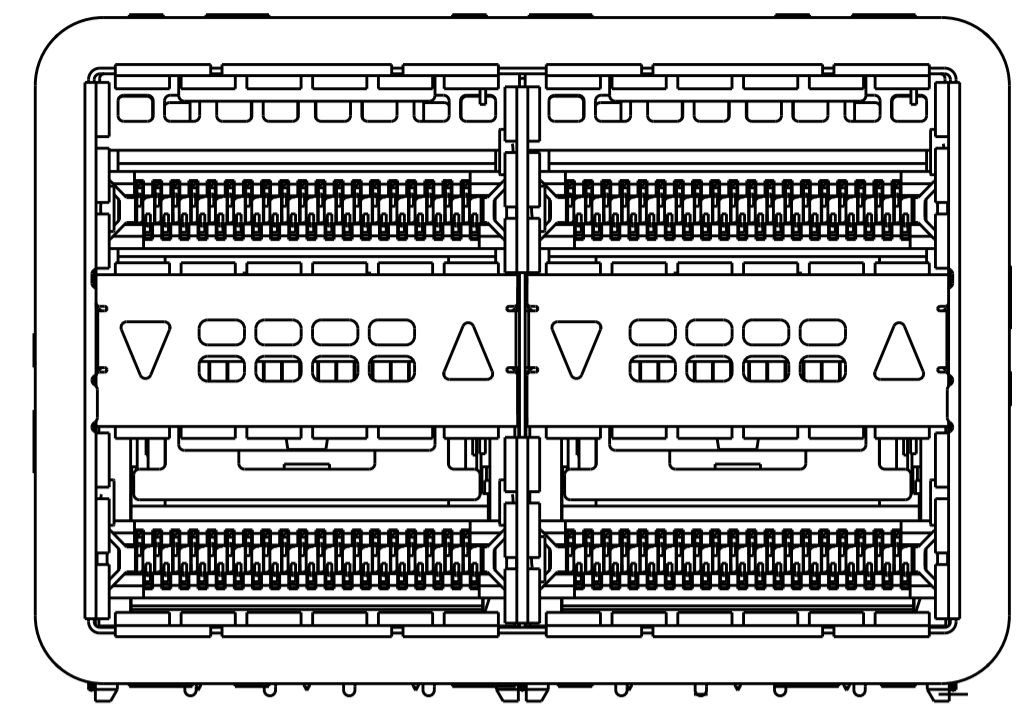
LOC		DIST		REVISIONS			
P	LTN	DESCRIPTION	DATE	DWN	APVD		
-	-	SEE SHEET 1	-	-	-		



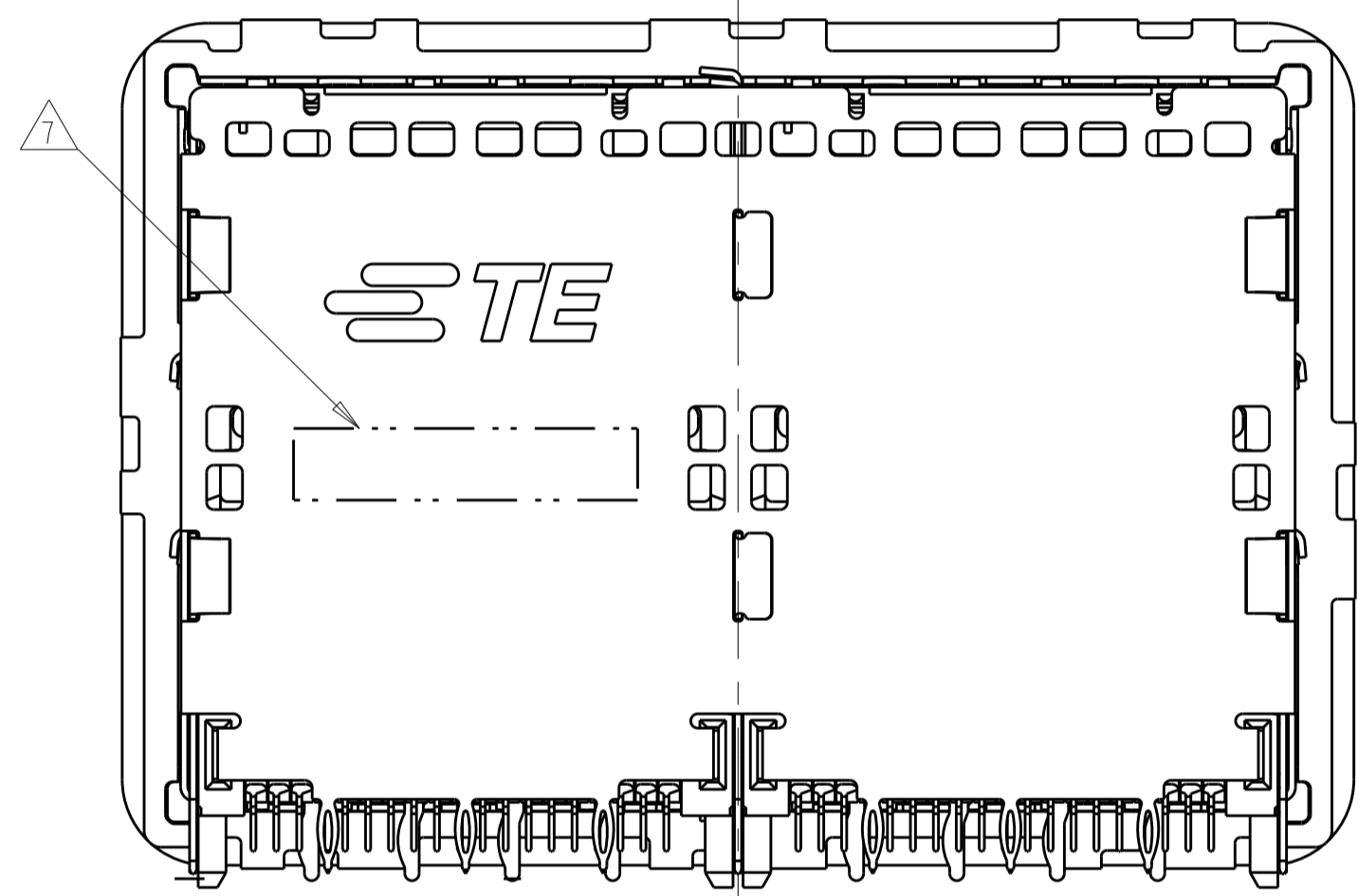
2214593-1 / 2214593-4
 NO LIGHTPIPE IN ASSEMBLY
 SCALE 3:1



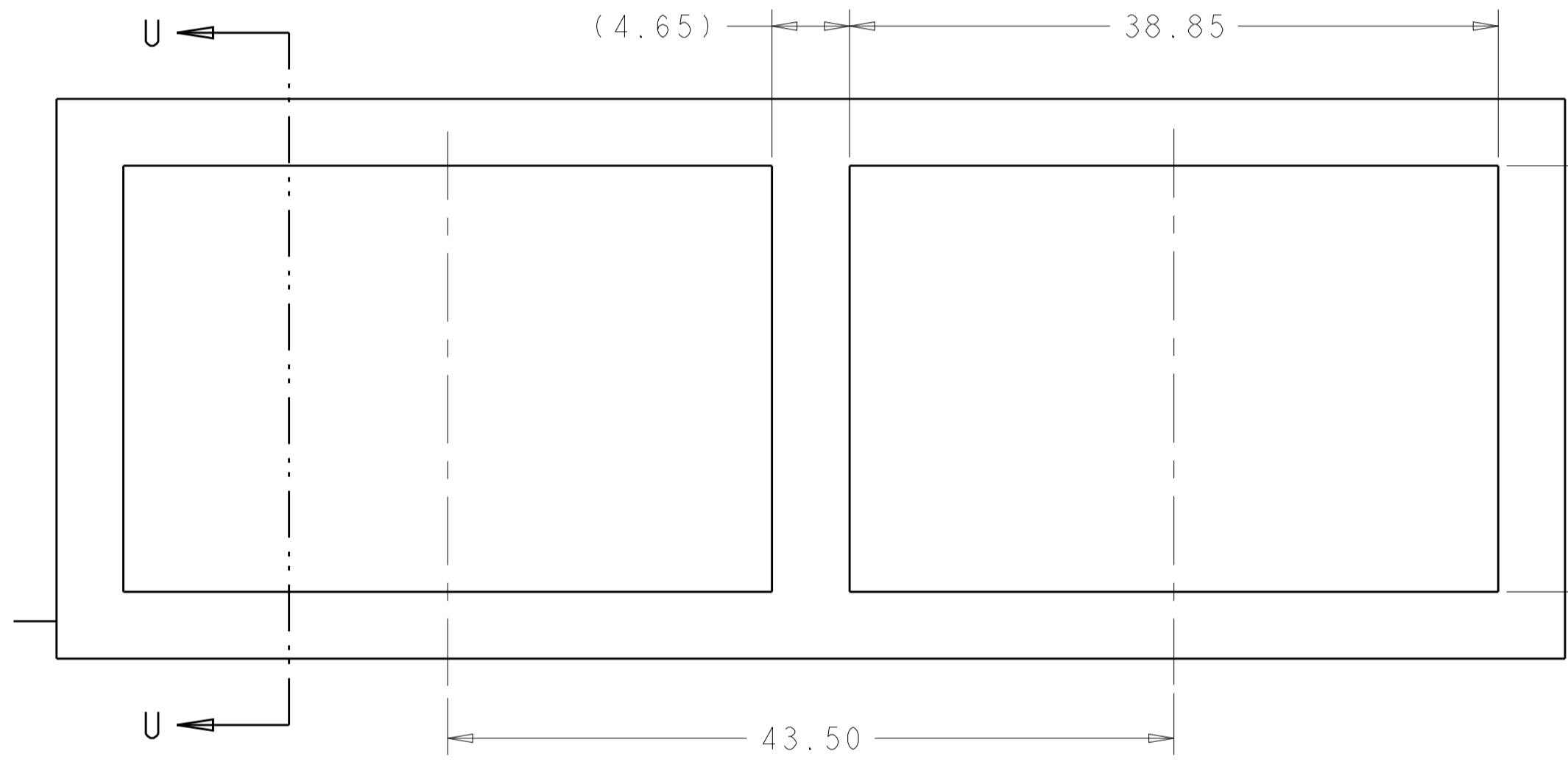
2214593-2 / 2214593-5
 LEFT LIGHTPIPE INDICATOR
 POINTING TO UPPER PORT
 SCALE 3:1



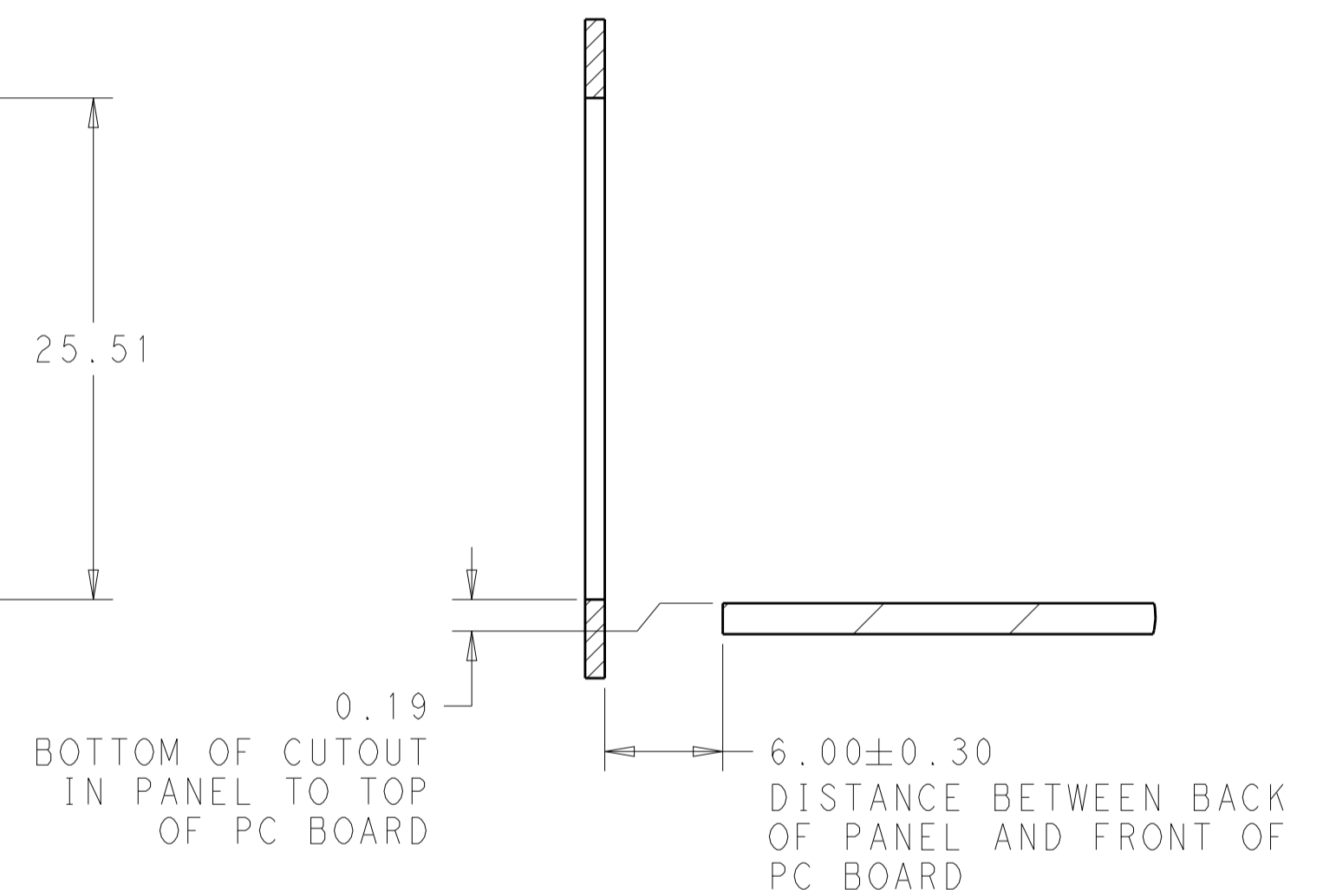
2214593-3 / 2214593-6
 LEFT LIGHTPIPE INDICATOR
 POINTING TO LOWER PORT
 SCALE 3:1



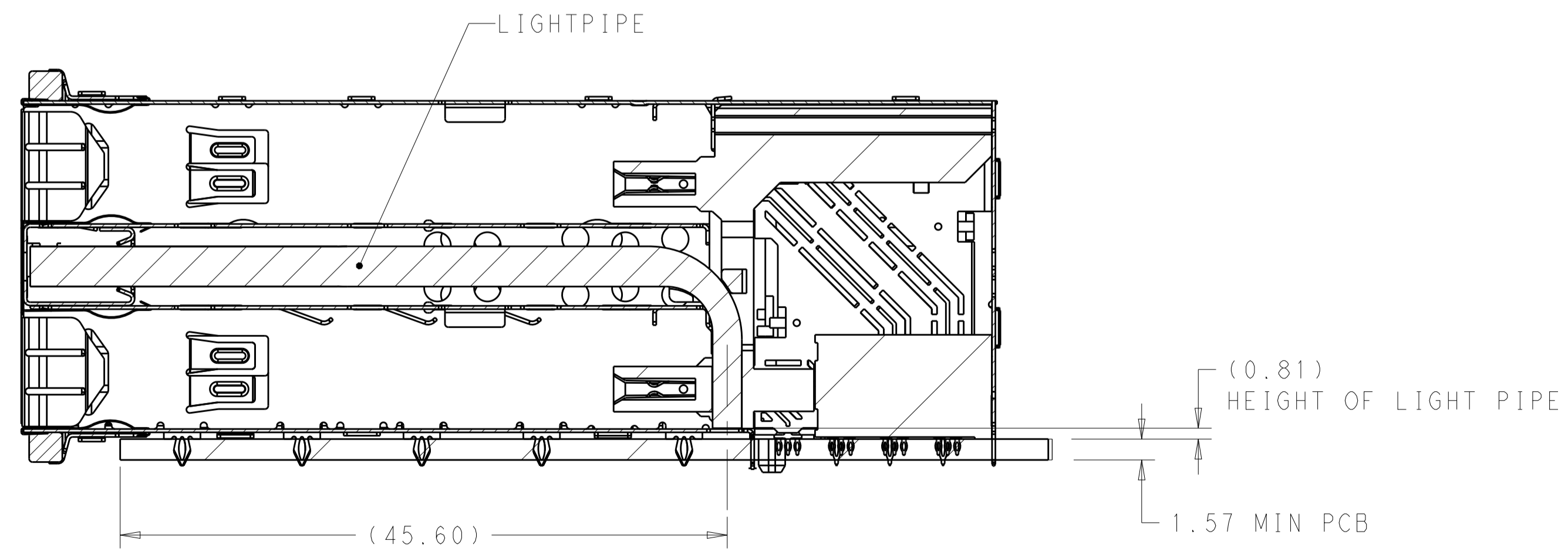
VIEW Y-Y



RECOMMENDED PANEL CUTOUT
 AND PC BOARD, PANEL POSITION
 SCALE 3:1



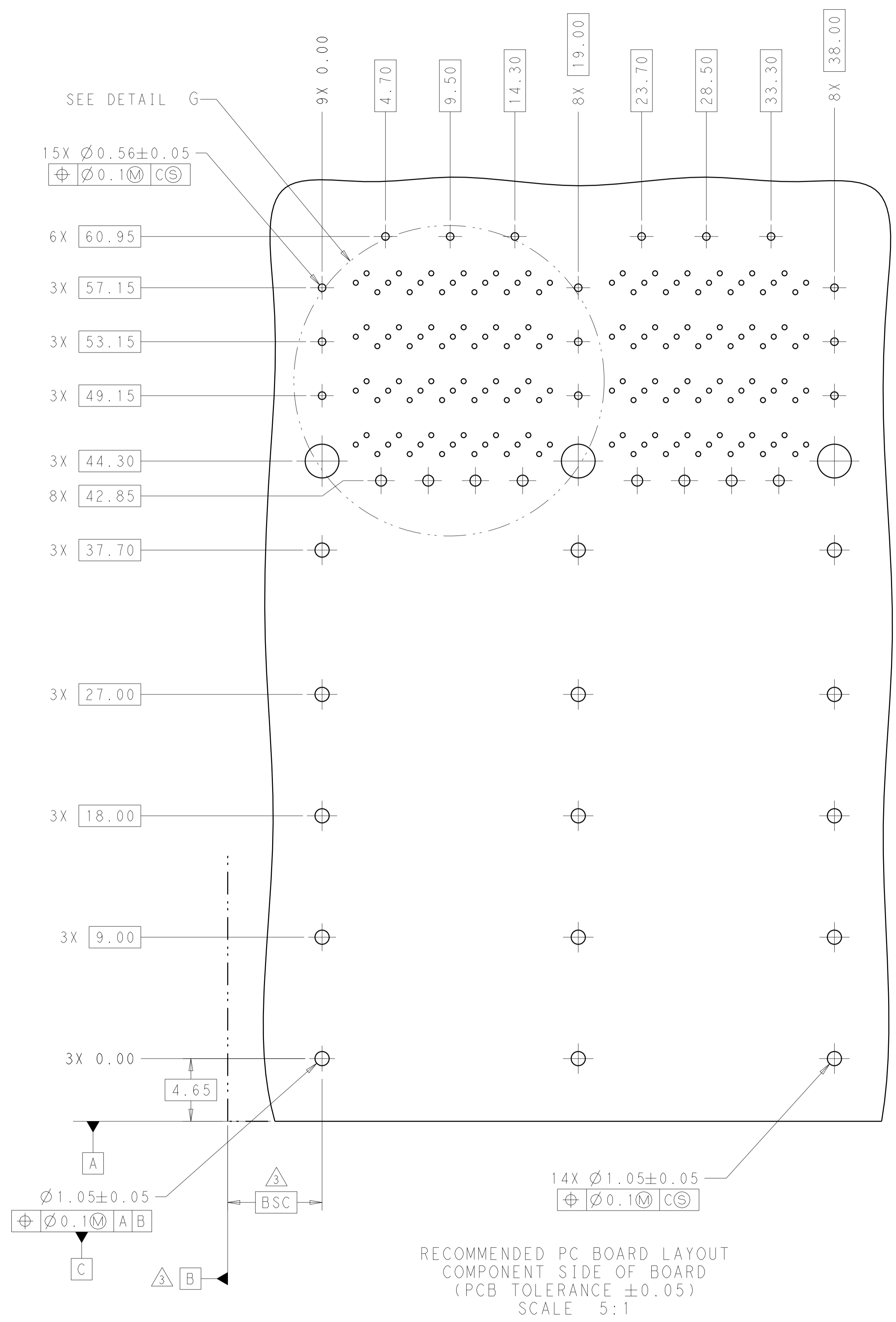
SECTION U-U



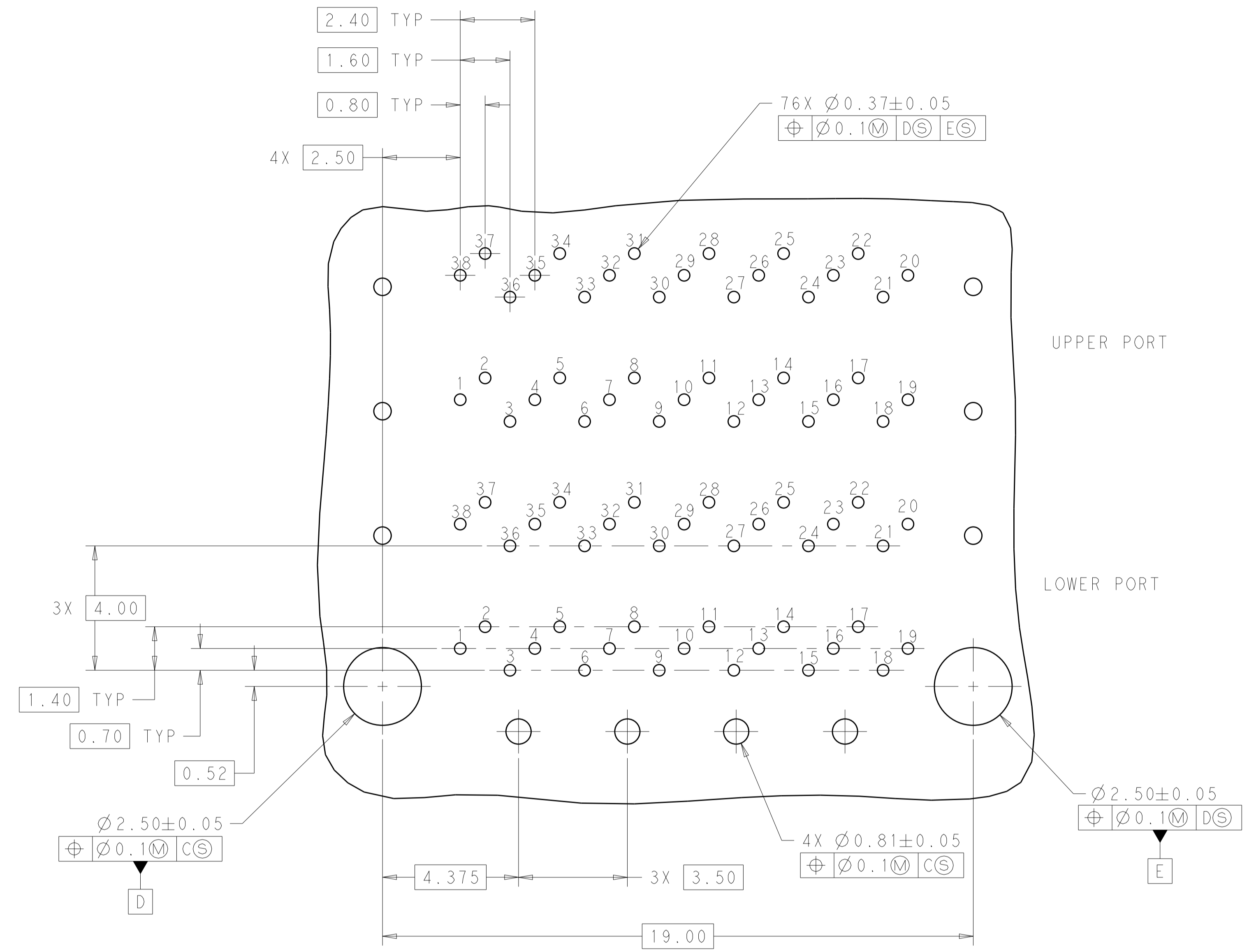
SECTION V-V
 SCALE 3:1

THIS DRAWING IS A CONTROLLED DOCUMENT. DIMENSIONING AND TOLERANCING PER ASME Y14.5M-2009.		DWN: M. SHIRK 24FEB2012 CHK: D. SZCZESNY 24FEB2012	STE TE Connectivity	
DIMENSIONS: mm		APVD: -	NAME: CAGE AND CONNECTOR ASSEMBLY, WITH EMI GASKET, 2X2, ZQSFP+ STACKED	
TOLERANCES UNLESS OTHERWISE SPECIFIED: 0 PLC ± 1 PLC ±0.25 2 PLC ±0.15 3 PLC ± 4 PLC ± ANGLES ±		PRODUCT SPEC: 108-60102 APPLICATION SPEC: 114-60015	SIZE: A1 CAGE CODE: 00779 DRAWING NO: C=2214593	
MATERIAL: SEE NOTE 1	FINISH: SEE NOTE 2	WEIGHT: -	CUSTOMER DRAWING	SCALE: 4:1 SHEET: 2 OF 4 REV: A

LOC		DIST		REVISIONS			
P	LTN	DESCRIPTION	DATE	DMN	APVD		
-	-	SEE SHEET 1	-	-	-	-	-



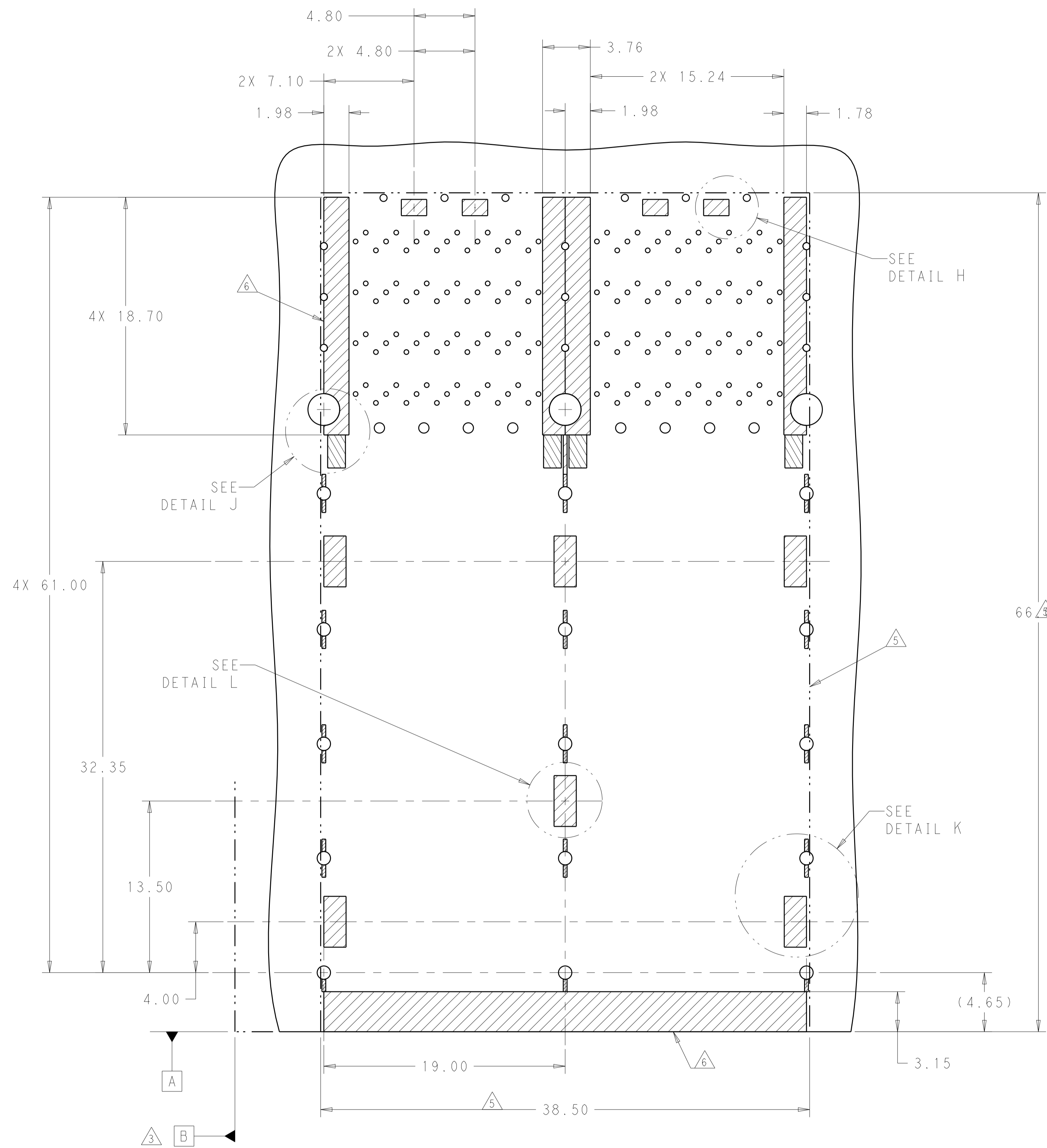
RECOMMENDED PC BOARD LAYOUT
 COMPONENT SIDE OF BOARD
 (PCB TOLERANCE ±0.05)
 SCALE 5:1



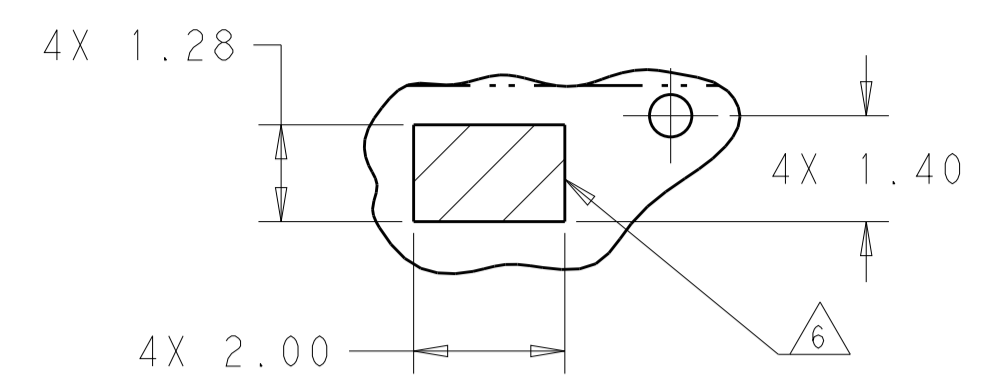
DETAIL G
 2X INDIVIDUALLY
 SCALE 10:1

THIS DRAWING IS A CONTROLLED DOCUMENT. DIMENSIONING AND TOLERANCING PER ASME Y14.5M-2009		DMN: M. SHIRK 24FEB2012 CHK: D. SZCZESNY 24FEB2012	TE Connectivity	
DIMENSIONS: mm	TOLERANCES UNLESS OTHERWISE SPECIFIED:	APVD: -	NAME: CAGE AND CONNECTOR ASSEMBLY, WITH EMI GASKET, 2X2, ZQSFP+ STACKED	
0 PLC ±0.25	1 PLC ±0.15	PRODUCT SPEC: 108-60102	SIZE: 114-60015	
2 PLC ±0.15	3 PLC ±0.15	APPLICATION SPEC: -	RESTRICTED TO: -	
4 PLC ±0.15	ANGLES ±0.15	WEIGHT: -	SCALE: 4:1 SHEET 3 OF 4 REV A	
MATERIAL: -	FINISH: -	CUSTOMER DRAWING	A100779C=2214593	
SEE NOTE 1	SEE NOTE 2			

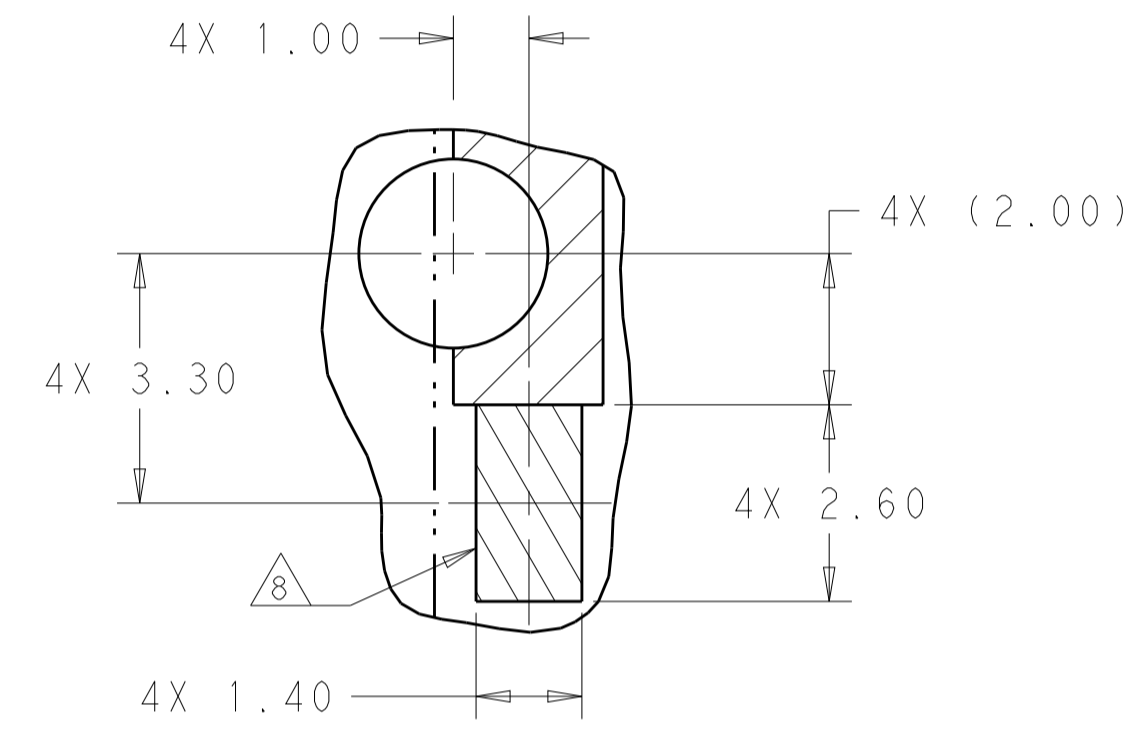
REVISONS		DATE	DWN	APVD
P	LTH	DESCRIPTION		
-	-	SEE SHEET 1	-	-



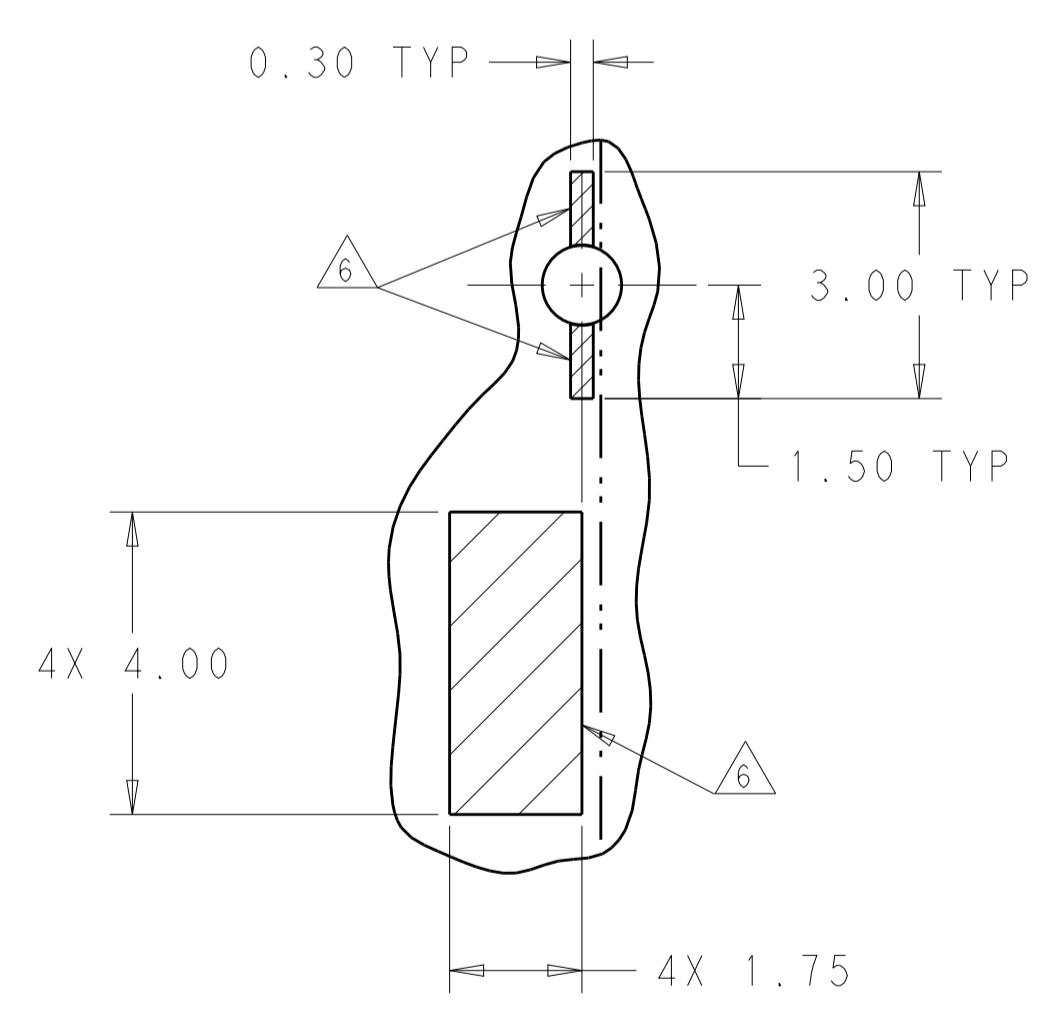
KEEPOUT AREAS
 COMPONENT SIDE OF BOARD
 SCALE 5:1



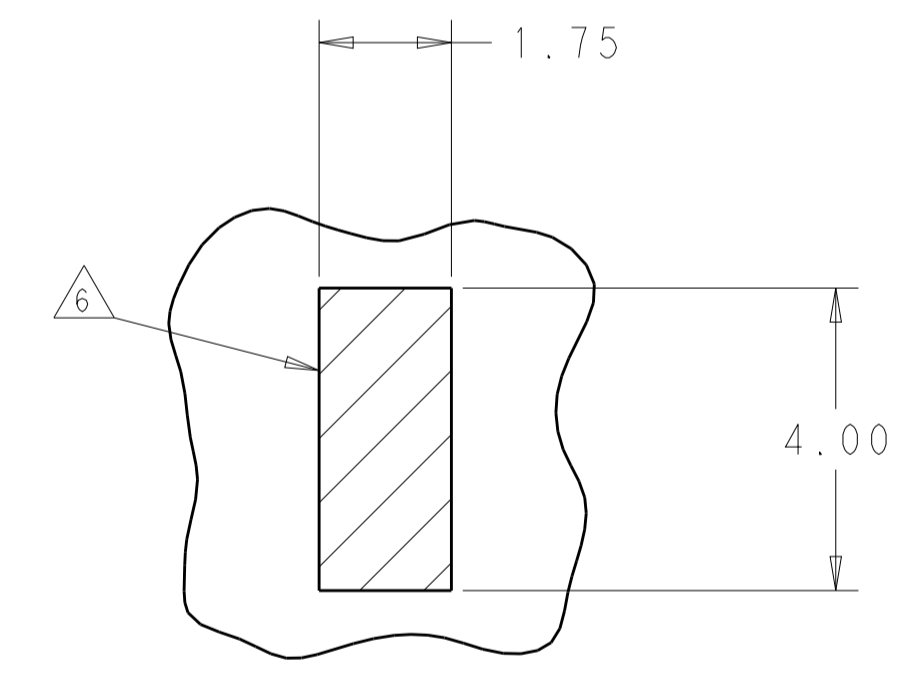
DETAIL H
 SCALE 10:1



DETAIL J
 LED PADS
 SCALE 10:1



DETAIL K
 SCALE 10:1



DETAIL L
 SCALE 10:1

THIS DRAWING IS A CONTROLLED DOCUMENT. DIMENSIONING AND TOLERANCING PER ASME Y14.5M-2009.		DWN: M. SHIRK 24FEB2012 CHK: D. SZCZESNY 24FEB2012	TE Connectivity	
DIMENSIONS: mm	TOLERANCES UNLESS OTHERWISE SPECIFIED:	APVD: -	NAME: CAGE AND CONNECTOR ASSEMBLY, WITH EMI GASKET, 2X2, ZQSFP+ STACKED	RESTRICTED TO: -
0 PLC ±0.25 1 PLC ±0.15 3 PLC ±0.15 4 PLC ±0.15	ANGLES ±0.15	PRODUCT SPEC: 108-60102 APPLICATION SPEC: 114-60015	SIZE: A100779 CAGE CODE: 2214593	
MATERIAL: SEE NOTE 1	FINISH: SEE NOTE 2	WEIGHT: -	CUSTOMER DRAWING	SCALE: 4:1 SHEET: 4 OF 4 REV: A

单击下面可查看定价，库存，交付和生命周期等信息

[>>TE Connectivity\(泰科\)](#)