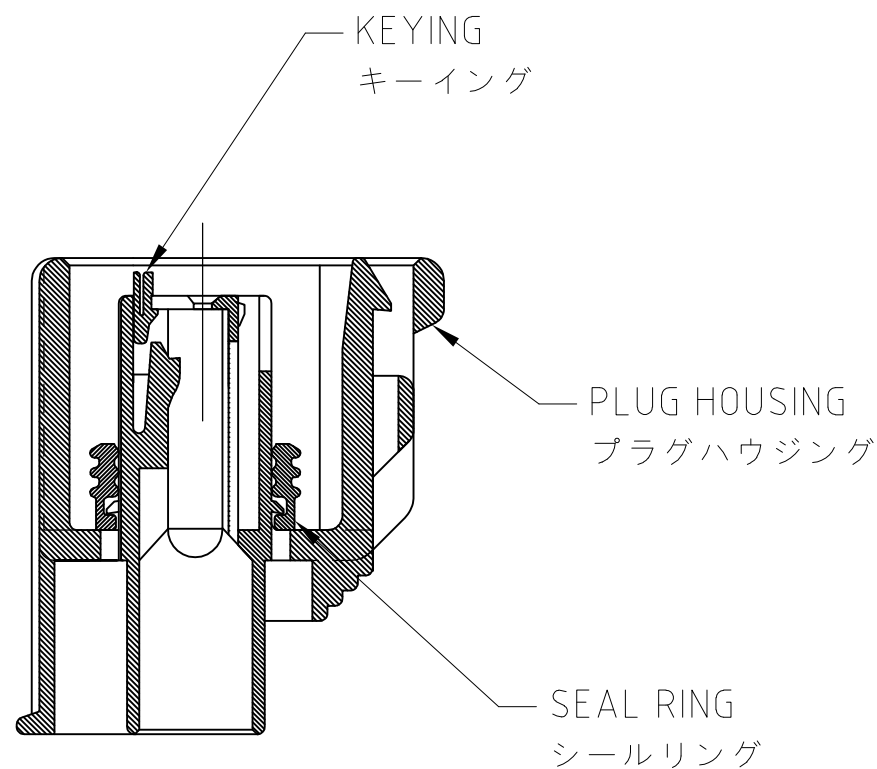
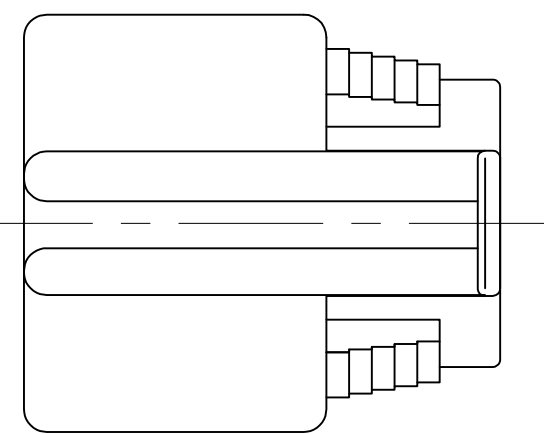
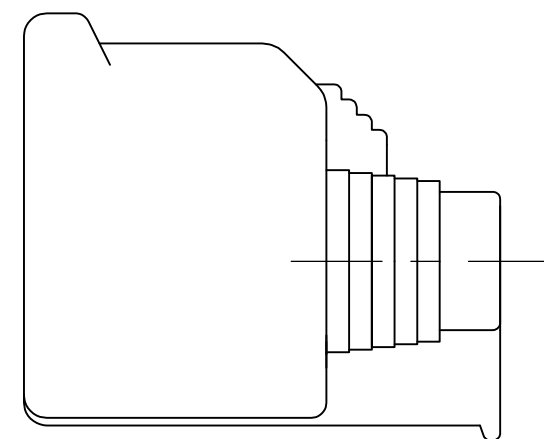
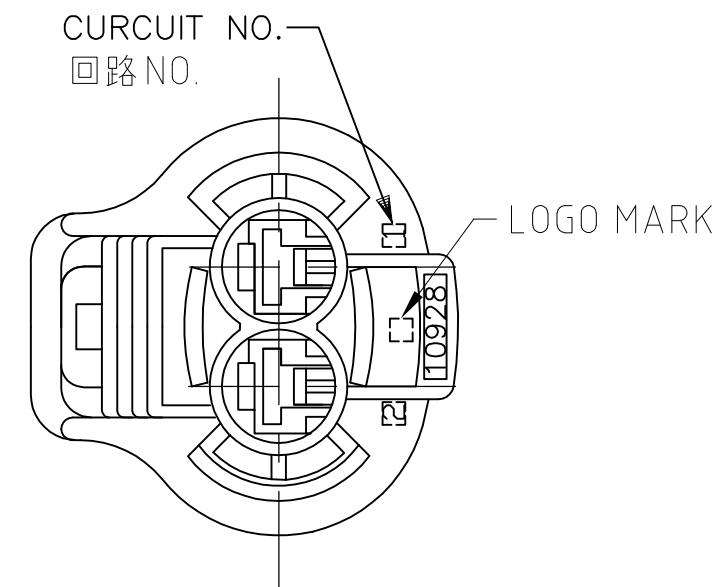
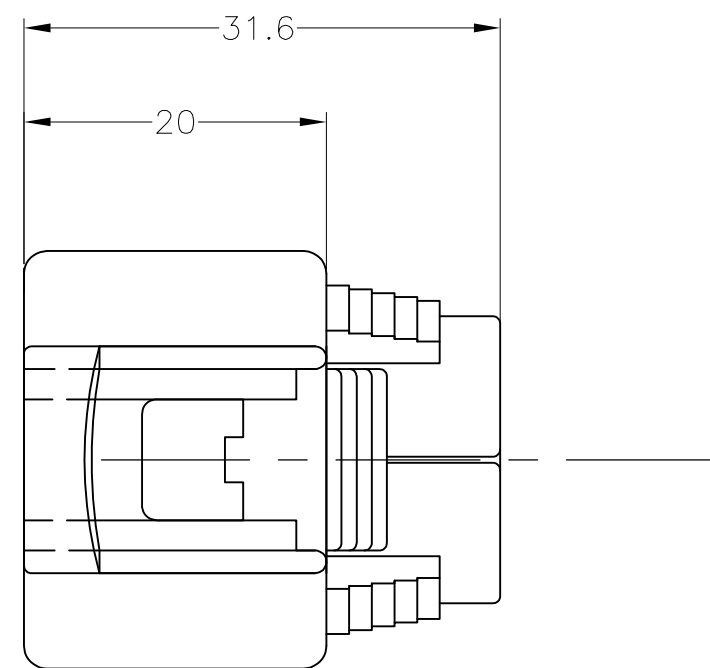
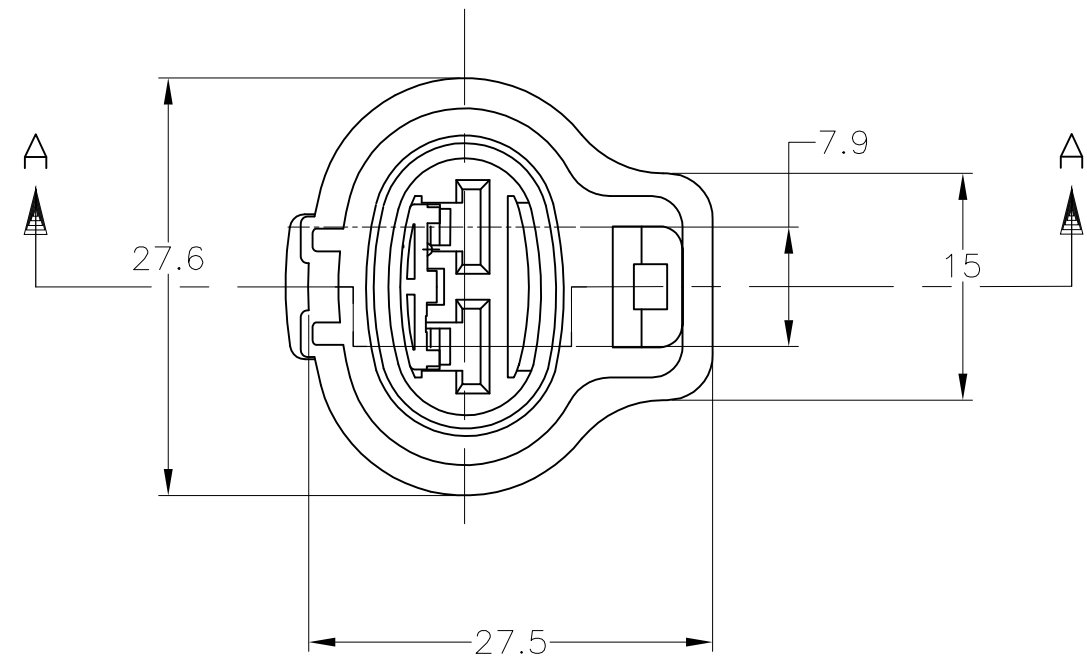


THIS DRAWING IS UNPUBLISHED. RELEASED FOR PUBLICATION  
 © COPYRIGHT - By - ALL RIGHTS RESERVED.

LOC	DIST	REVISIONS					
		P	LTR	DESCRIPTION	DATE	DWN	APVD
J	-	F1		REVISED PER ECO-11-005301	07MAR11	RK	HMR



- MATING PART NO.; 176143
- THIS PRODUCT CONSISTS OF A PLUG HOUSING, A SEAL RING AND A KEYING
- PRODUCT SPECIFICATION; 108-5294  
APPLICATION SPECIFICATION; 114-5126  
CUSTOMER MANUAL; 412-5488
- APPLIED CONTACTS

RECEPTACLE CONTACT P/N	WIRE RANGE (mm <sup>2</sup> )	INSULATION DIA
175090	0.5~1.25	φ2.0~φ2.6
175091	2~3	φ2.9~φ3.8

- 嵌合相手品番; 176143
- 本製品はプラグハウジングとキーイング、シールリングから構成されている。
- 製品規格; 108-5294  
圧着規格; 114-5126  
取扱説明書; 412-5488
- 適用端子型番

リセプタクルコンタクト P/N	ワイヤレンジ (mm <sup>2</sup> )	被覆外径
175090	0.5~1.25	φ2.0~φ2.6
175091	2~3	φ2.9~φ3.8

黒 BLACK	淡灰 LIGHT GRAY	淡灰 LIGHT GRAY	6-176146-6
	濃灰 DARK GRAY	濃灰 DARK GRAY	176146-6
	黒 BLACK	黒 BLACK	176146-2
SEAL RING COLOR シールリング色	KEYING COLOR キーイング色	HOUSING COLOR ハウジング色	PARTS NO. 型番

WIRE RANGE SEE TABLE	THIS DRAWING IS A CONTROLLED DOCUMENT.		DWN Y.KINOSHITA 12NOV91	 TE Connectivity													
INSULATION DIA SEE TABLE	DIMENSIONS: mm	TOLERANCES UNLESS OTHERWISE SPECIFIED	CHK Y.KINOSHITA 12NOV91														
TOLERANCE UNLESS OTHERWISE SPECIFIED: 一般公差 0 <= 10 : ±0.2 10 <= 30 : ±0.25 30 <= 100 : ±0.3 ANGLE : ±3°		<table border="1"> <tr><td>0 PLC</td><td>±</td></tr> <tr><td>1 PLC</td><td>±</td></tr> <tr><td>2 PLC</td><td>±</td></tr> <tr><td>3 PLC</td><td>±</td></tr> <tr><td>4 PLC</td><td>±</td></tr> <tr><td>ANGLES</td><td>±</td></tr> </table>	0 PLC	±	1 PLC	±	2 PLC	±	3 PLC	±	4 PLC	±	ANGLES	±	APVD S.ISOHATA 12NOV91	NAME 187 SERIES SEALED CONNECTOR 2POSITION PLUG HOUSING ASSY	
0 PLC	±																
1 PLC	±																
2 PLC	±																
3 PLC	±																
4 PLC	±																
ANGLES	±																
	MATERIAL PBT	FINISH SEE TABLE	PRODUCT SPEC 108-5294	SIZE A2	CAGE CODE 00779												
			APPLICATION SPEC 114-5126	DRAWING NO C=176146	RESTRICTED TO -												
			WEIGHT 8.0 g	SCALE 2:1	SHEET 1 OF 1												
			CUSTOMER DRAWING	REV F1													

176146

B

A

单击下面可查看定价，库存，交付和生命周期等信息

[>>TE Connectivity\(泰科\)](#)