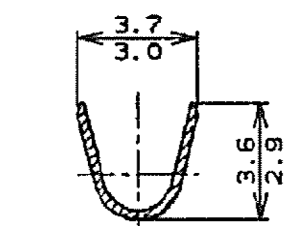
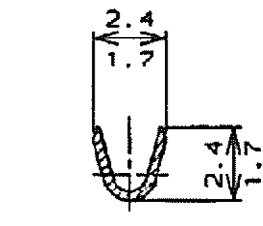
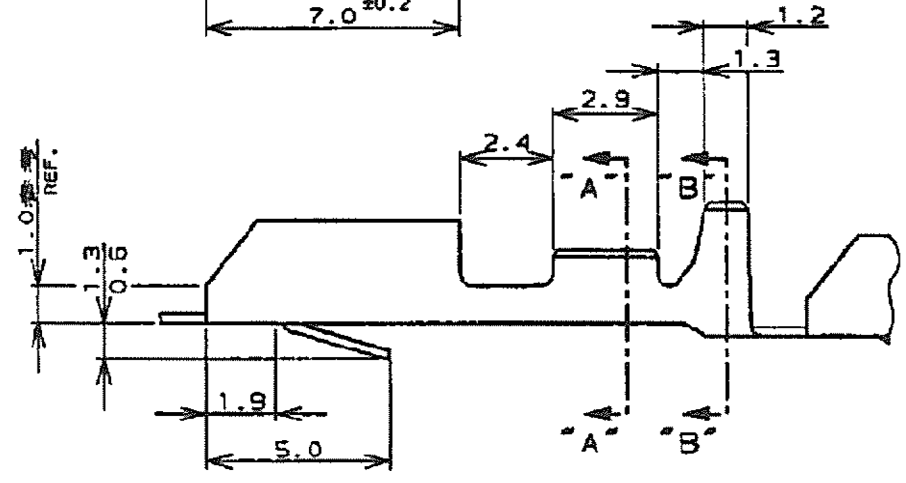
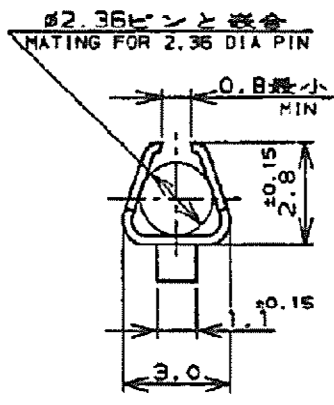
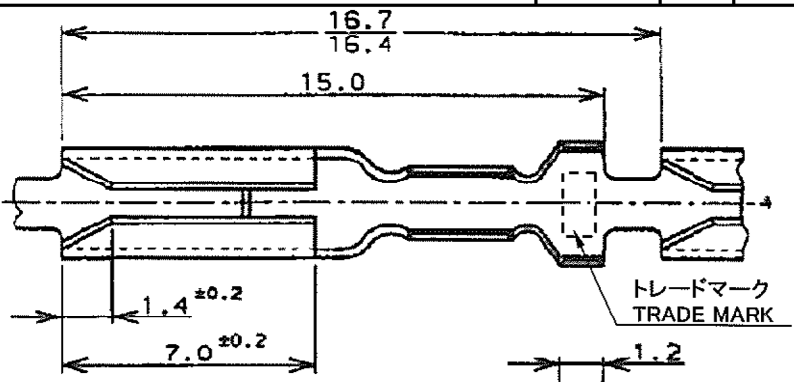


THIS DRAWING IS UNPUBLISHED. ALL RIGHTS RESERVED. © COPYRIGHT 19

REV. NO.	DATE	BY	APP'D	DESCRIPTION
M2	15NOV2017	BDA	FV	REVISED PER ECR-17-016303
M3	23SEP2019	PC	TD	REVISED PER ECR-19-012286



断面 "A" - "A" SECT.

断面 "B" - "B" SECT.

OBSOLETE	-	-	4-170073-2
OBSOLETE	-	黄銅0.25t (BRASS)	170073-7
OBSOLETE	錫めっき済・機質銅0.25t (PRE-TIN PHOS. BRONZE)	-	170073-6
	錫めっき済・黄銅0.25t (PRE-TIN BRASS)	-	170073-5
	錫めっき (POST-TIN)	黄銅0.25t (BRASS)	170073-2
	仕上 (FINISH)	材料 (MATERIAL)	型番 (PART NO.)

WIRE RANGE 適合電線断面積 0.2~0.56mm ² (AWG#24~#20)	INSULATION DIA 被覆外径 1.2~2.79mm
---	--------------------------------------

DIMENSIONS:
単位 ㎜

TOLERANCES UNLESS OTHERWISE SPECIFIED.

~~長さ 10㎜ ±0.2
 30 ±0.25
 100 ±0.3
 角度 ±0.3°~~

±0.25
±1.0°

OWN: *N. Nishino* 4/24 96

CHK: *S. Sugita* 24 APR '96

APVD: *S. Sugita* 25 APR '96

PRODUCT SPEC
製品規格 108-5014
108-5054

APPLICATION SPEC
取付適用規格

WEIGHT

CUSTOMER DRAWING

MATERIAL 表参照 SEE TABLE

FINISH 仕上 表参照 SEE TABLE

STE TE Connectivity

NAME 品名
ø2.36用 ピン リセアタクル
2.36 DIA PIN RECEPTACLE

SIZE A4 CAGE CODE 00779 DRAWING NO. C-170073

SCALE 尺 1:5 SHEET 1 OF 1 REV M3

顧客用図面

单击下面可查看定价，库存，交付和生命周期等信息

[>>TE Connectivity\(泰科\)](#)