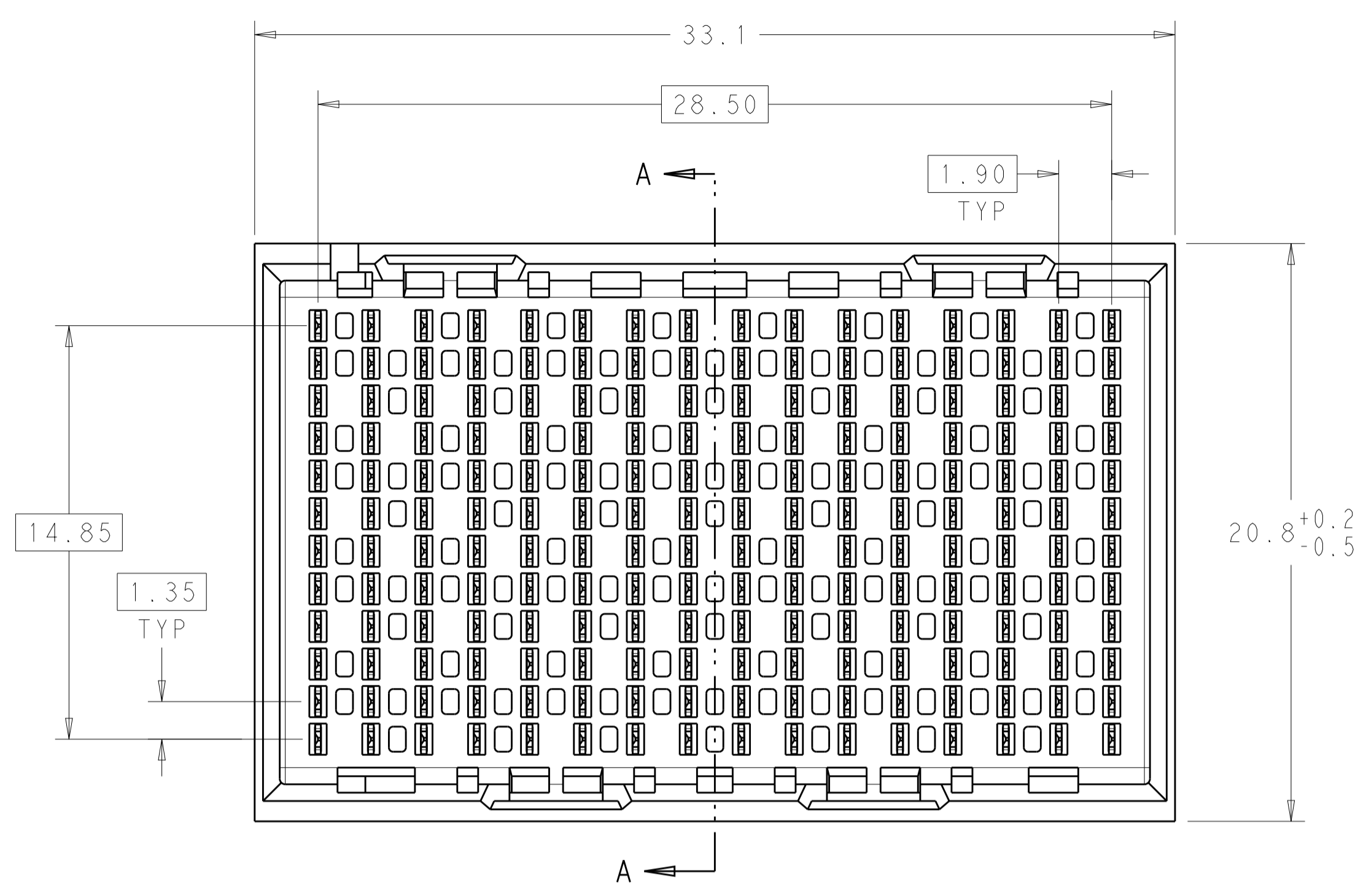
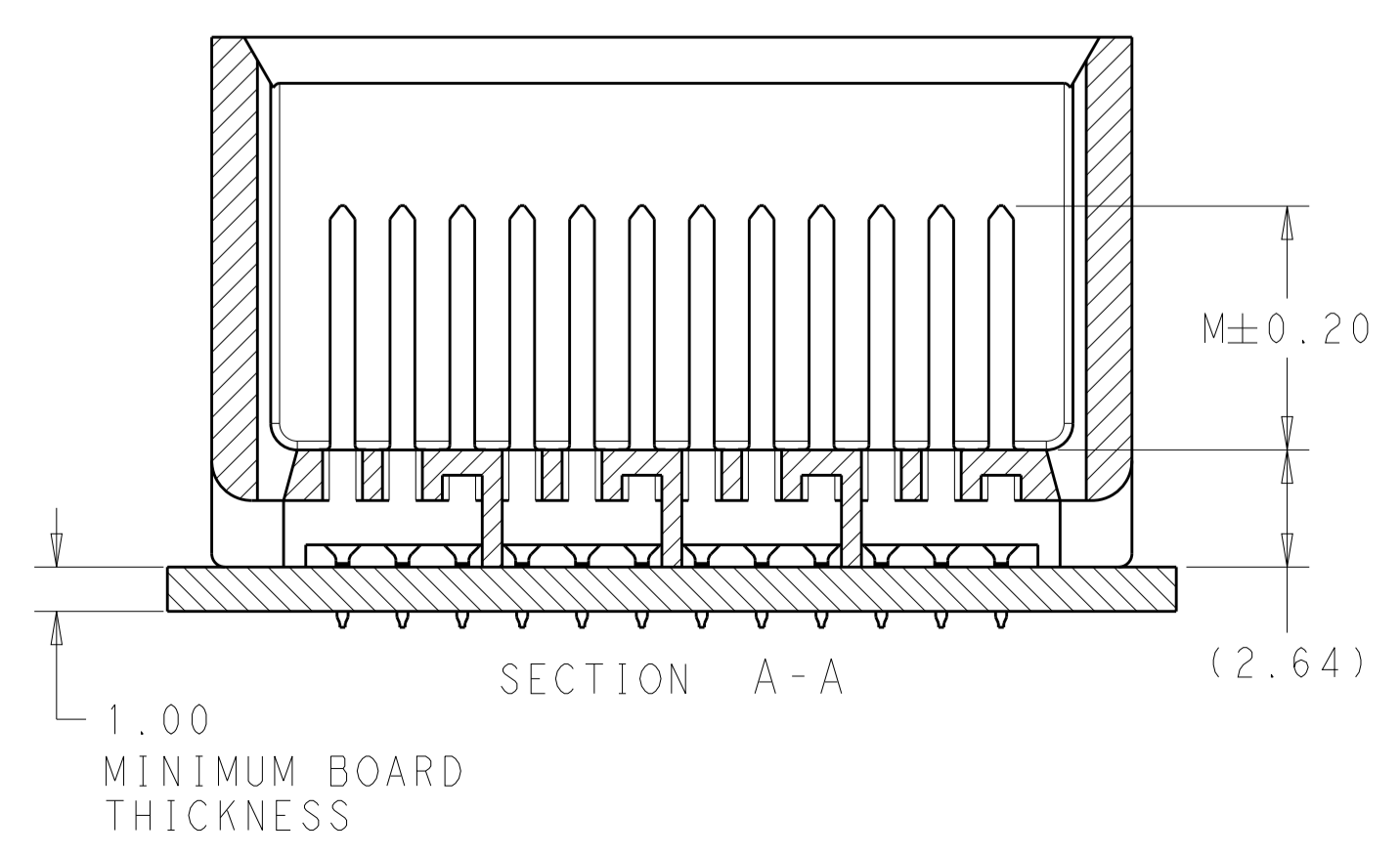
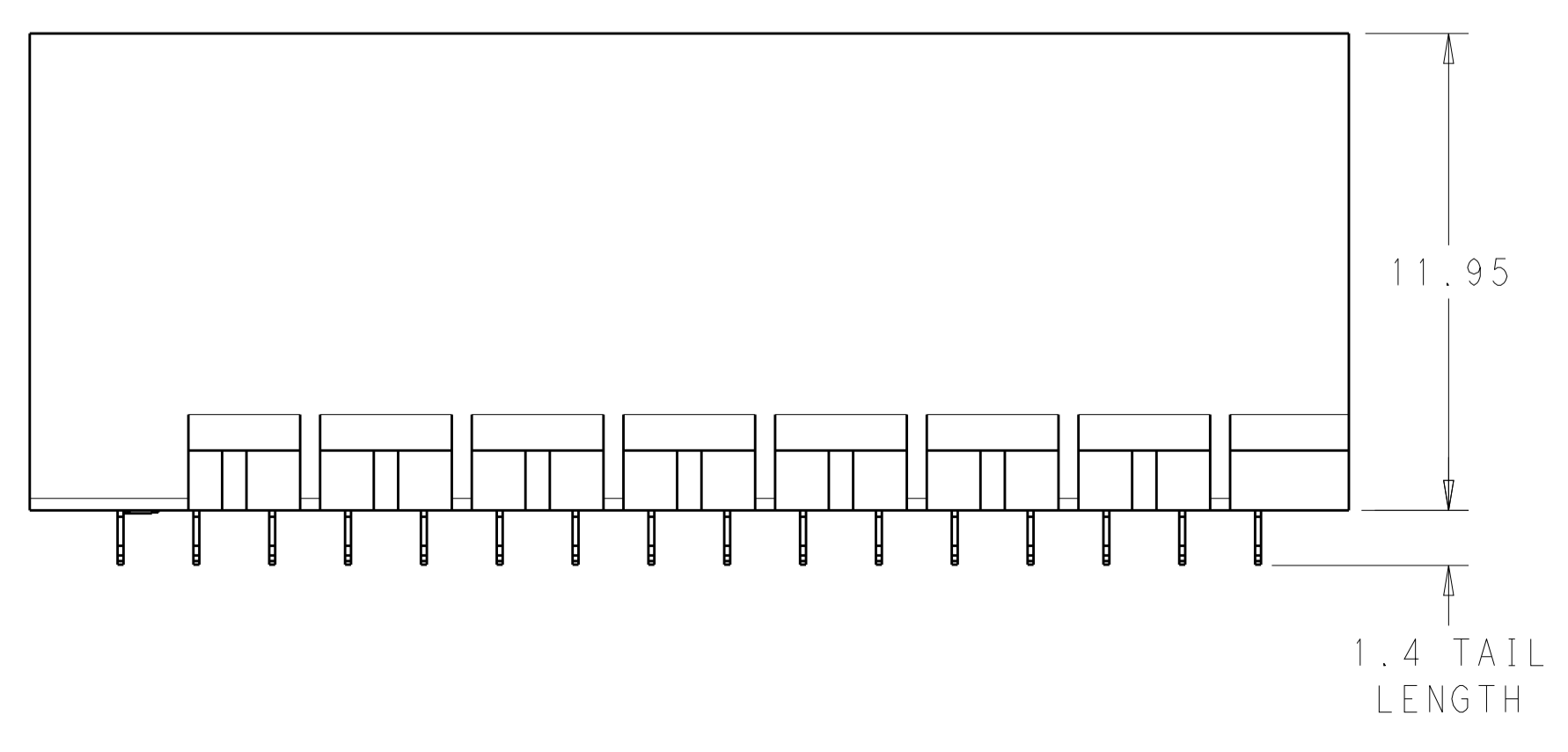
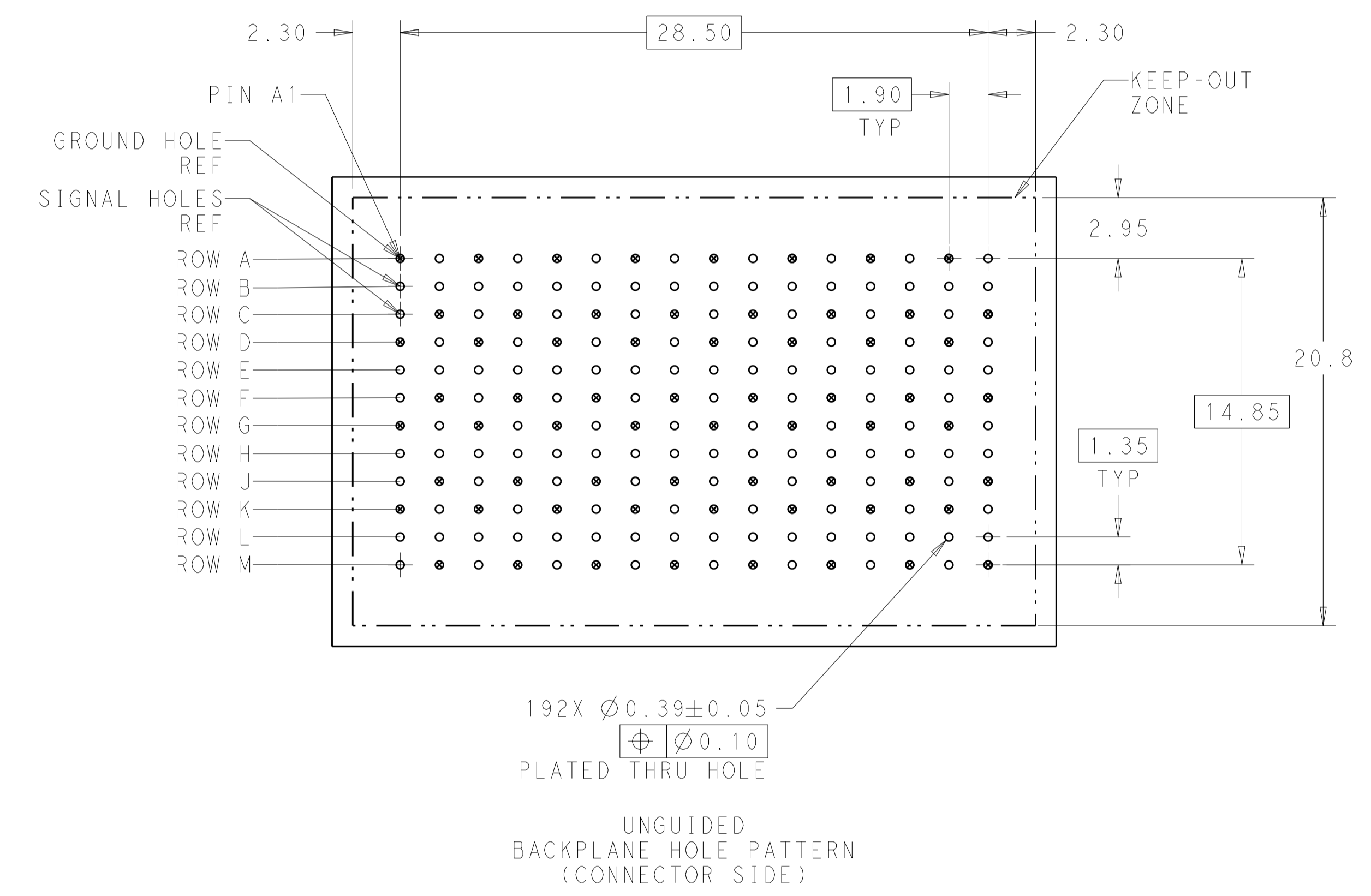
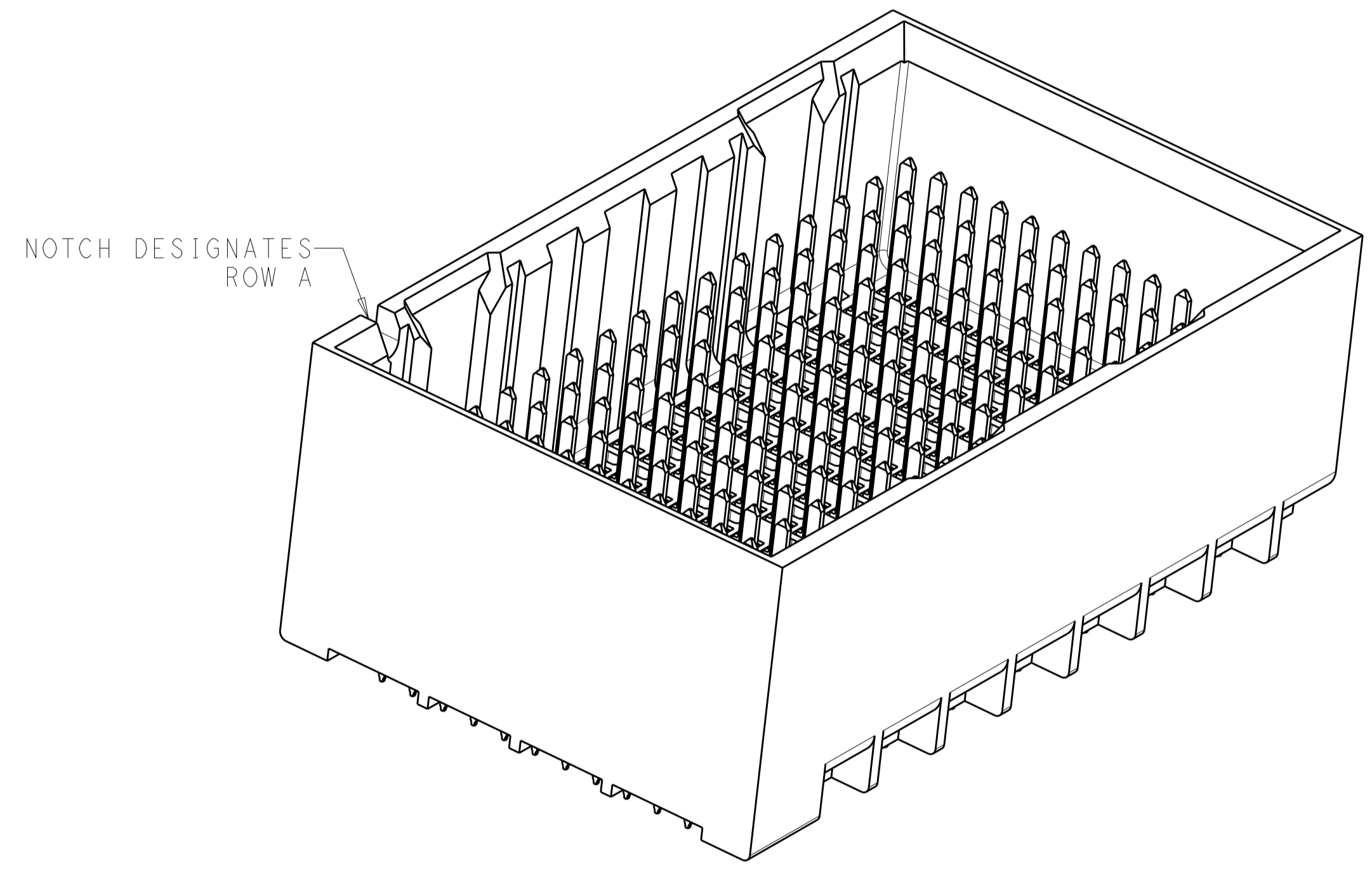


REVISIONS				
P.	LTN	DESCRIPTION	DATE	OWN APVD
B1		REVISED PER ECO-15-001494	05FEB2015	AP DD



⚠ MATERIAL:  
 HOUSING: LCP, GLASS FILLED, UL94V-0.  
 TERMINALS: HIGH PERFORMANCE COPPER ALLOY.

⚠ FINISH:  
 30μ" MIN GOLD IN CONTACT AREA. SELECTIVE TIN  
 ON PCB TAILS, NICKEL OVERALL.



THIS DRAWING IS A CONTROLLED DOCUMENT.		OWN J. K. SHOBER 13JAN2011	TE Connectivity NAME: IMPACT, 4 PAIR, 16 COLUMN, HEADER PRODUCT SPEC: UNGUIDED, DUAL END WALL APPLICATION SPEC: SIGNAL MODULE, 0.39 PTH SIZE: A1 CAGE CODE: 00779 DRAWING NO: C=2007838 RESTRICTED TO: -
DIMENSIONS: mm		CHK J. EARY 13JAN2011	
TOLERANCES UNLESS OTHERWISE SPECIFIED:		APVD J. EARY 13JAN2011	
0 PLC ± 1 PLC ±0.25 2 PLC ±0.13 3 PLC ± 4 PLC ± ANGLES ±		WEIGHT: - CUSTOMER DRAWING	
MATERIAL: SEE TABLE		FINISH: -	SCALE: 6:1 SHEET 1 OF 2 REV: B1

THIS DRAWING IS UNPUBLISHED.	RELEASED FOR PUBLICATION	2011
© COPYRIGHT 2011	ALL RIGHTS RESERVED.	

REVISIONS					
P.	LTN	DESCRIPTION	DATE	DMN	APVD
-	-	SEE SHEET 1	-	-	-

	5.5	2007838-3
	4.9	2007838-2
	4.5	2007838-1
FINISH	DIM M	PART NUMBER

REFER TO WWW.TE.COM  
FOR PRODUCT AVAILABILITY

THIS DRAWING IS A CONTROLLED DOCUMENT.		DMN J. K. SHOBER 13JAN2011		TE Connectivity
DIMENSIONS: mm		CHK J. EARY 13JAN2011		
TOLERANCES UNLESS OTHERWISE SPECIFIED:		APVD J. EARY 13JAN2011	NAME	IMPACT, 4 PAIR, 16 COLUMN, HEADER
0 PLC ±		PRODUCT SPEC	UNGUIDED, DUAL END WALL	
1 PLC ±0.25		APPLICATION SPEC	SIGNAL MODULE, 0.39 PTH	
2 PLC ±0.13		RESTRICTED TO	SIZE	A1
3 PLC ±		WEIGHT	CAGE CODE	00779
4 PLC ±		CUSTOMER DRAWING	DRAWING NO	C=2007838
ANGLES FINISH ±		SCALE	SHEET	2 OF 2
MATERIAL		REV	B1	
SEE TABLE				

单击下面可查看定价，库存，交付和生命周期等信息

[>>TE Connectivity\(泰科\)](#)