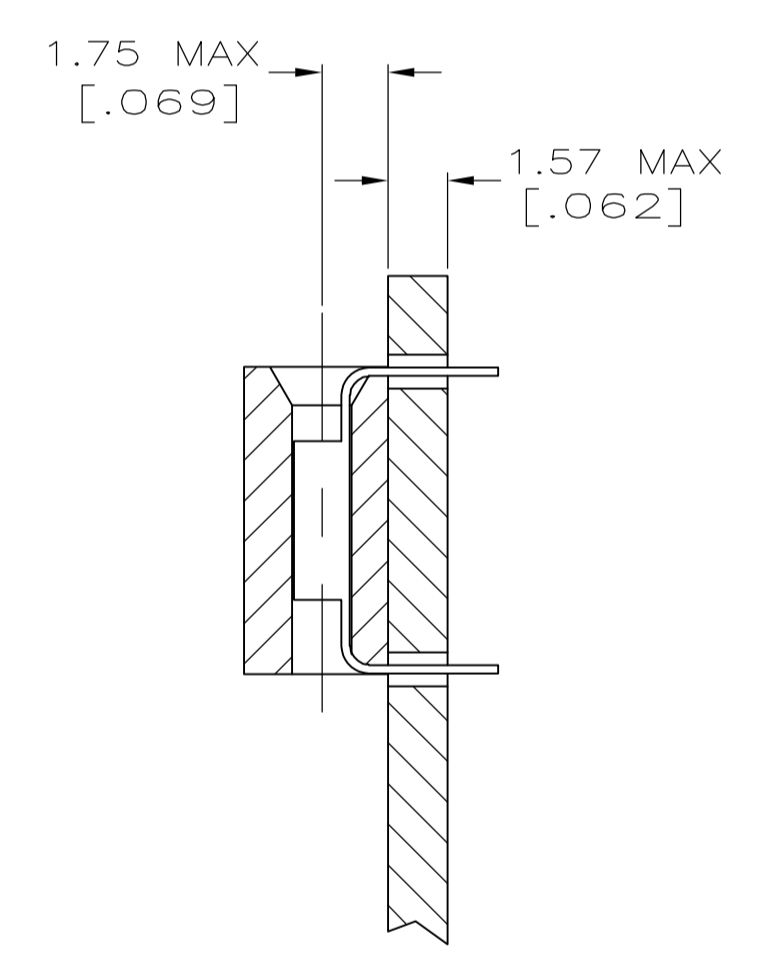
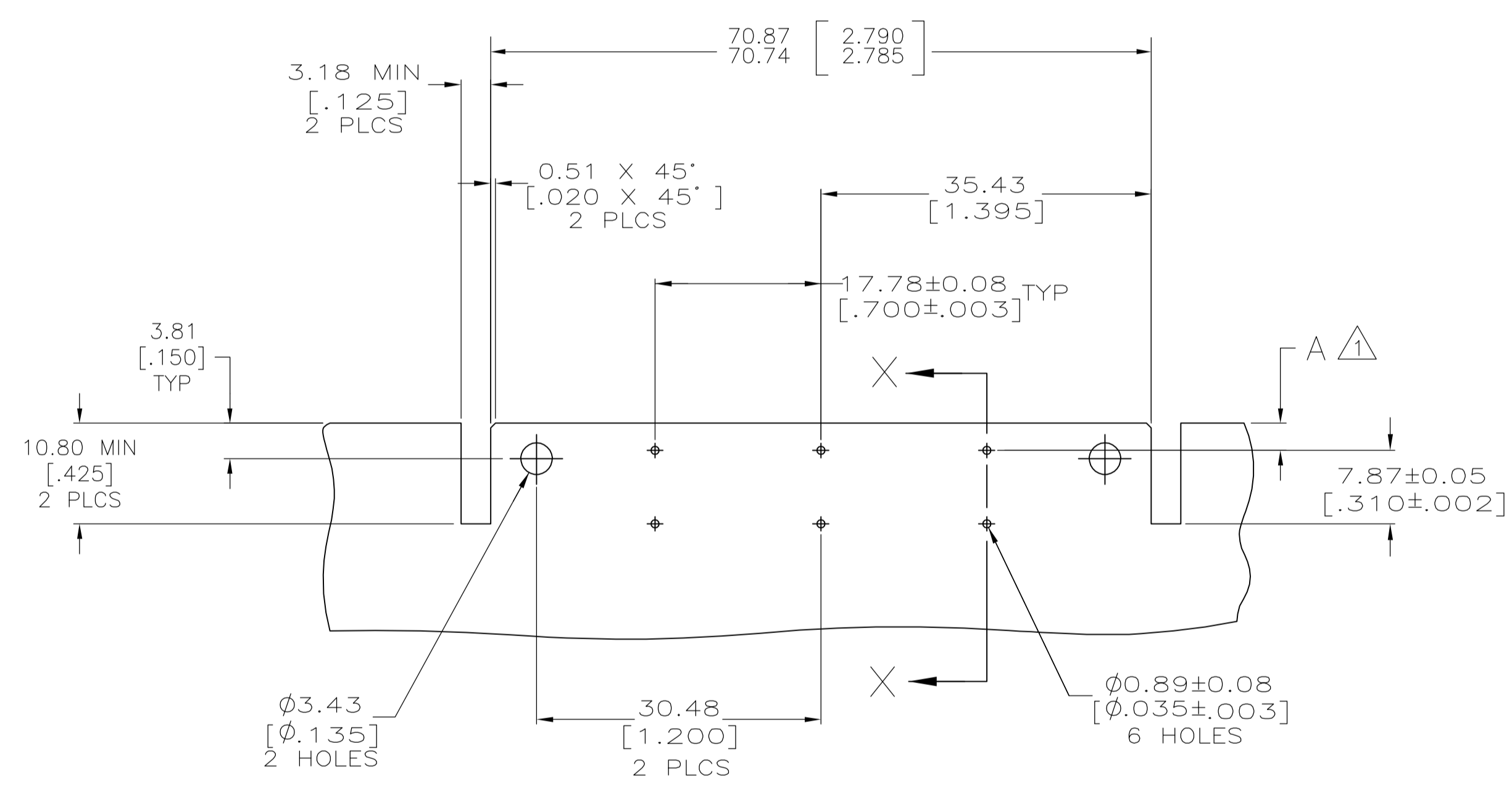
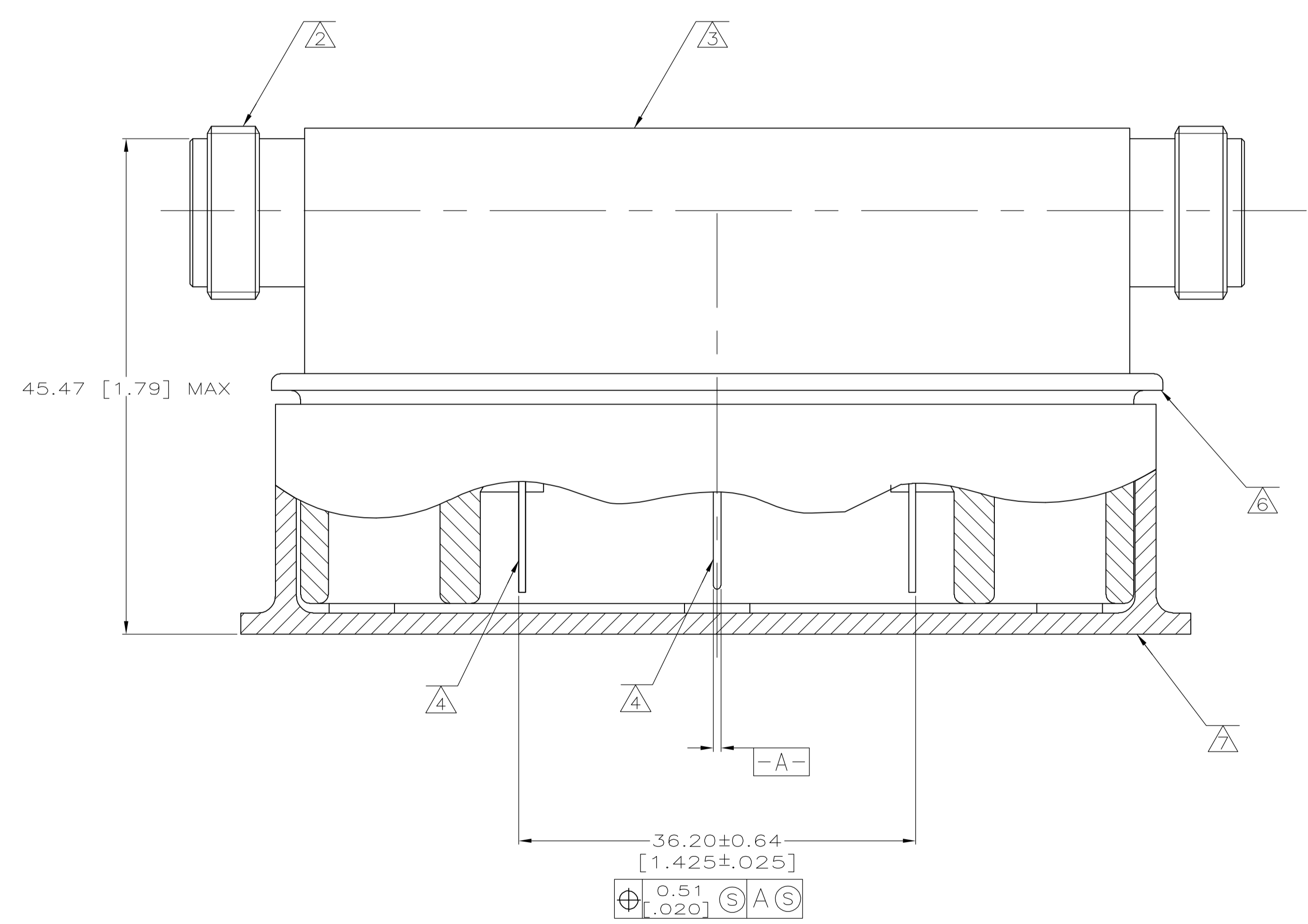
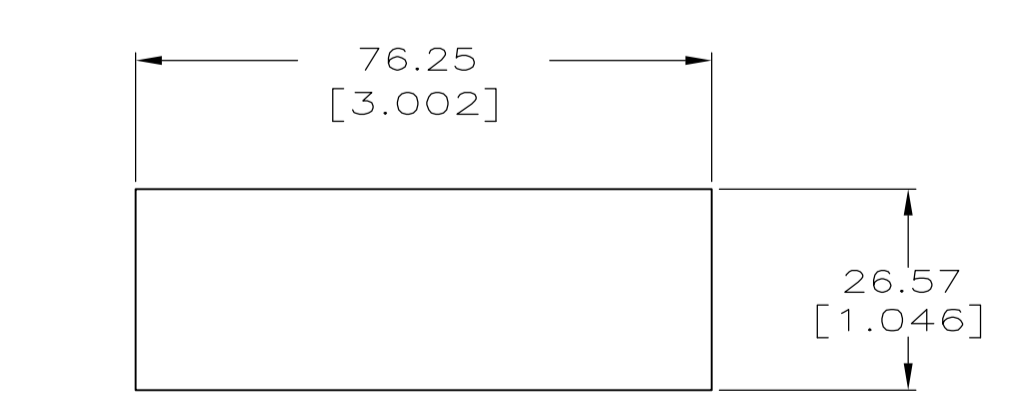


- ⚠ WHEN USING AMP MODU CONNECTOR SERIES 532965, A = 1.52 +0.13/-0.00 [.060 +.005/-0.000]
- ⚠ WHEN USING AMP MODU CONNECTOR SERIES 87854, A = 2.92 [.115]
- ⚠ SHELL: ZINC ALLOY, NICKEL PLATE
- ⚠ COVER: PVC, BLACK, UL94V-0 RATED
- ⚠ CONTACT & POSTS: PHOSPHOR BRONZE, GOLD PLATE
- ⚠ DIELECTRIC: POLYETHYLENE, NATURAL
- ⚠ BODY: POLYCARBONATE, BLACK, UL94V-0 RATED
- ⚠ DUST COVER: POLYPROPYLENE, WHITE OR BLACK



TRANSCEIVER BOARD LAYOUT  
SCALE 2:1

SECTION X-X  
WITH AMP MODU  
CONNECTOR ASSY  
SCALE 5:1



REQUIRED  
TRANSCEIVER OPENING  
SCALE 1:1

5221914-1  
PART NUMBER

THIS DRAWING IS A CONTROLLED DOCUMENT.		DWN R. HAMNER 10-19-05	Tyco Electronics Corporation Harrisburg, PA 17105-3608	
DIMENSIONS: mm [INCHES]		OK J. HAVENER 3-15-96	APPROVED J. HAVENER 3-15-96	
TOLERANCES UNLESS OTHERWISE SPECIFIED:		NAME J. HAVENER		
0 PLC	± -	PRODUCT SPEC		
1 PLC	± -	APPLICATION SPEC		
2 PLC	± 0.13 [.005]	SIZE A1		
3 PLC	± -	CAGE CODE 00779		
4 PLC	± -	DRAWING NO 5221914		
ANGLES	± -	RESTRICTED TO		
FINISH	± -	CUSTOMER DRAWING		
SEE NOTES	SEE NOTES	SCALE 3:1 SHEET 1 OF 1 REV 0		

单击下面可查看定价，库存，交付和生命周期等信息

[>>TE Connectivity\(泰科\)](#)