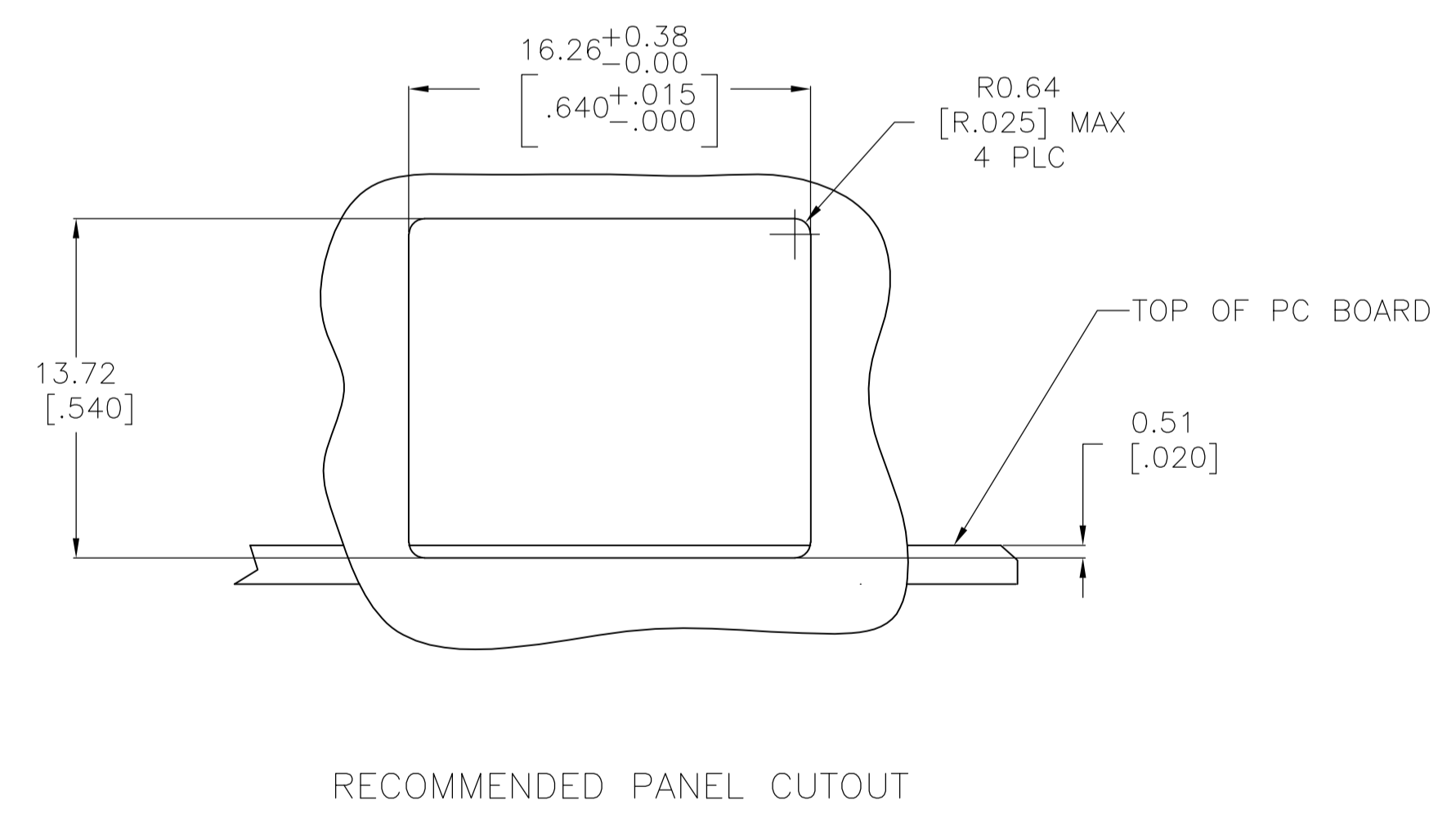
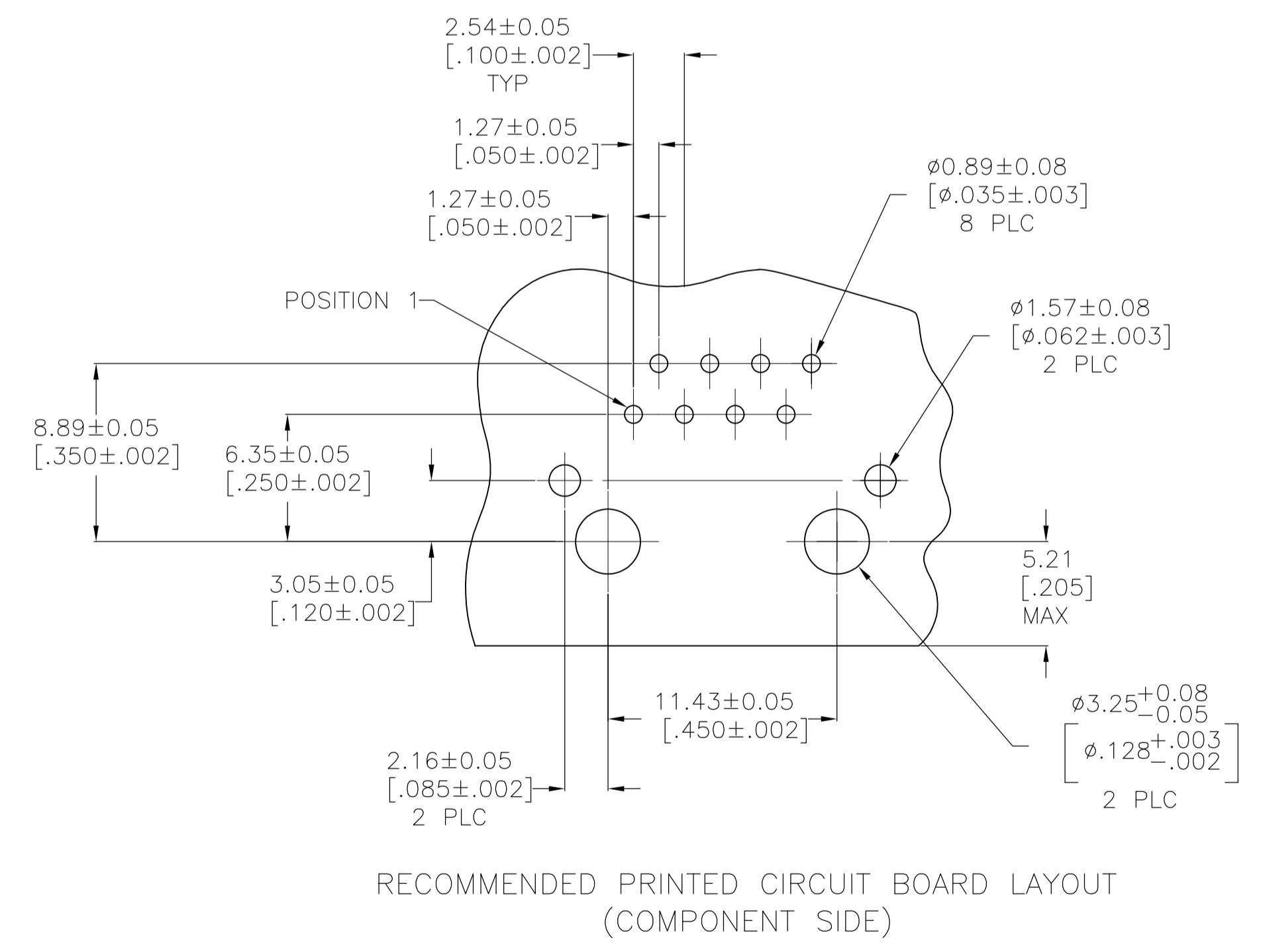


- MATERIAL:  
 HOUSING - HTN NYLON, COLOR: BLACK  
 TERMINAL - 0.36[.014] THICK PHOS-BRONZE PLATED WITH 1.27µm[.000050] MINIMUM THICK HARD GOLD IN LOCALIZED GOLD PLATE AREA AND 3.81µm[.000150] MINIMUM THICK MATTE TIN IN SOLDER AREA OVER 1.27µm[.000050] THICK MINIMUM NICKEL UNDERPLATE.  
 SHIELD - 0.25[.010] THICK COPPER ALLOY PLATED WITH 3.0µm[.000120] MINIMUM REFLOWED TIN
- △2 CAVITY CONFORMS TO FCC RULES AND REGULATIONS, PART 68, SUBPART F
- △3 DIMENSION MEASURED ALONG FRONT EDGES OF MATING FACE



5558250-1  
 PART NUMBER

THIS DRAWING IS A CONTROLLED DOCUMENT.		DIN A. FERNANDEZ-DOCKS 07/JUN/2005	Tyco Electronics Corporation Harrisburg, PA 17105-3608	
DIMENSIONS: mm [INCHES]		CHK J. WESTMAN 07/JUN/2005	NAME S. FLICKINGER 07/JUN/2005	
TOLERANCES UNLESS OTHERWISE SPECIFIED:		PRODUCT SPEC 108-1163		
0 PLC ± -		APPLICATION SPEC 114-2048		
1 PLC ± -		SIZE A1		
2 PLC ± 0.13[.005]		CAGE CODE 00779		
3 PLC ± -		DRAWING NO 5558250		
4 PLC ± -		SCALE 4:1		
ANGLES ± -		SHEET 1 of 1		
MATERIAL SEE NOTE 1		WEIGHT -		
FINISH SEE NOTE 1		CUSTOMER DRAWING		

单击下面可查看定价，库存，交付和生命周期等信息

[>>TE Connectivity\(泰科\)](#)