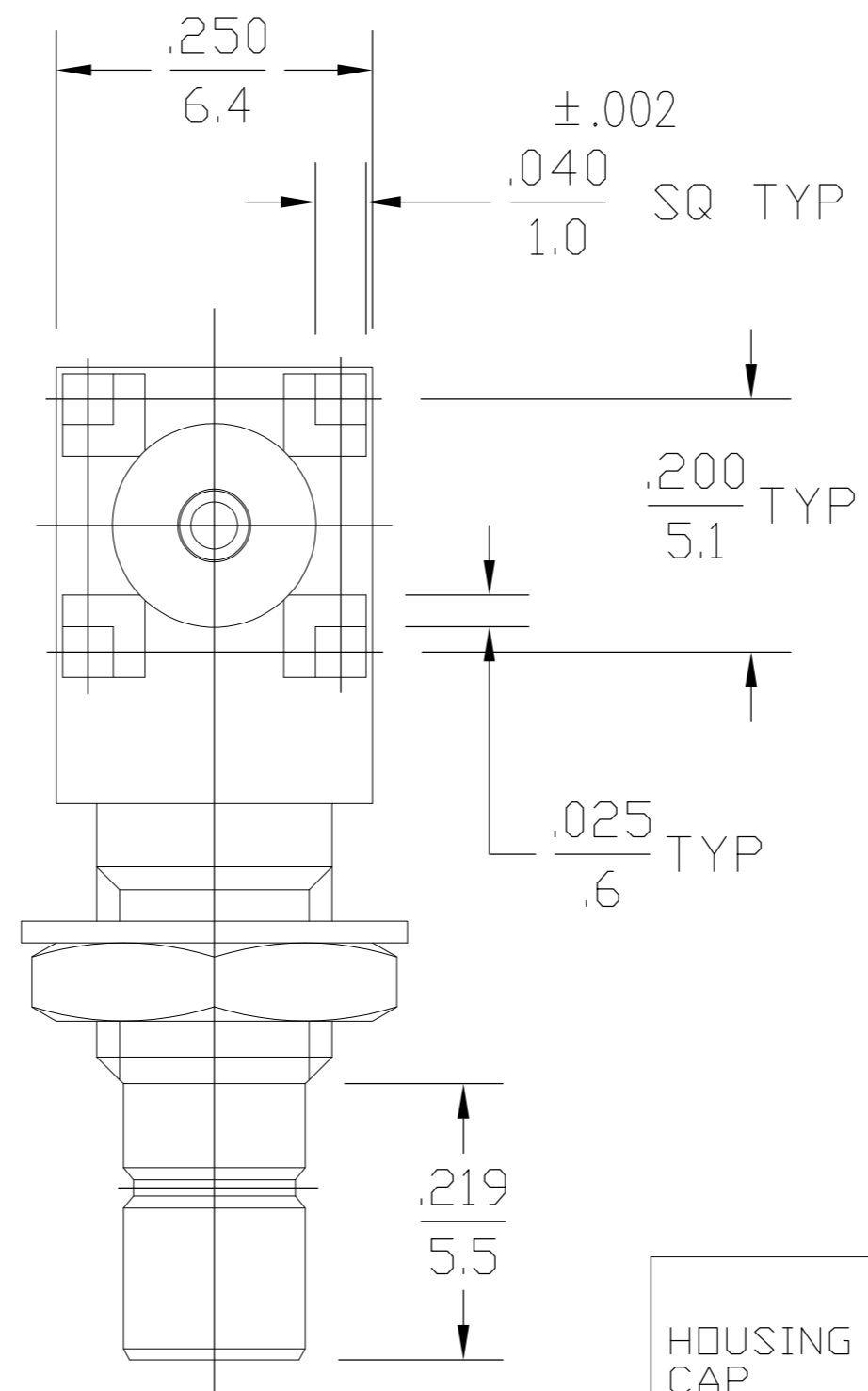
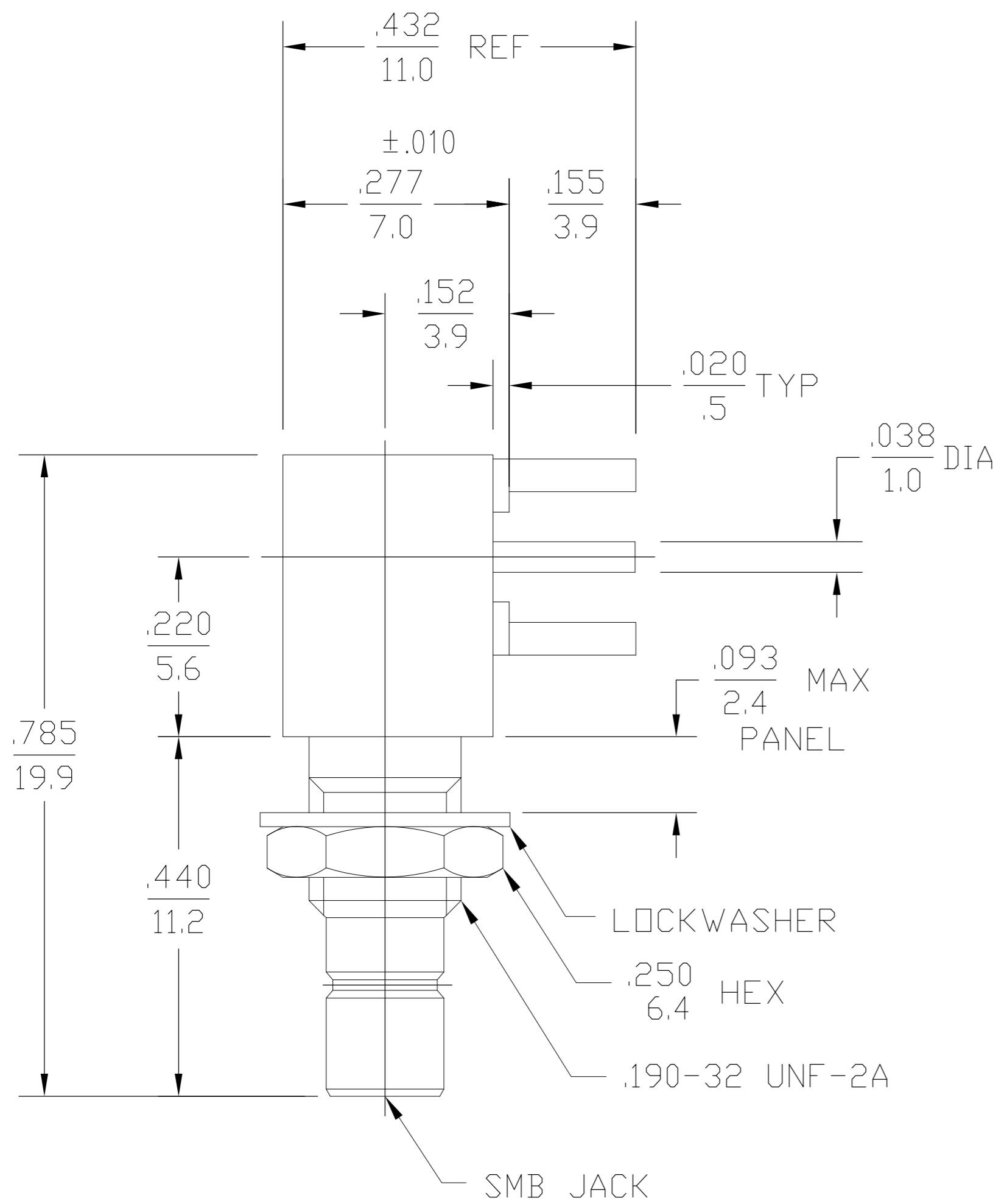


THIS DRAWING IS UNPUBLISHED. RELEASED FOR PUBLICATION  
 © COPYRIGHT BY TYCO ELECTRONICS CORPORATION. ALL RIGHTS RESERVED.

LOC	DIST	REVISIONS					
AJ	00	P	LTR	DESCRIPTION	DATE	DWN	APVD
		C		REV PER ECO 07-027471	1/16/2008	DW	JL



DESIGN CONTROL REQUIRED

1084873-1  
PART NUMBER

COMPONENT	MATERIAL	FINISH
HOUSING CAP MOUNTING NUT	BRASS PER ASTM-B-16 COMP. 360, HALF HARD	GOLD PLATE PER MIL-G-45204
DIELECTRIC	TFE FLUOROCARBON PER ASTM-D-1457	N/A
CENTER CONTACT	BRASS PER ASTM-B-16, HALF HARD	GOLD PLATE PER MIL-G-45204
LOCKWASHER	PHOSPHOR BRONZE PER QQ-B-750, GRADE B2 OR TIN BRASS PER ASTM-B-591	GOLD PLATE PER MIL-G-45204

NOTES:  
1. CAPTURED CENTER CONTACT

THIS DRAWING IS A CONTROLLED DOCUMENT.		DWN TIM WAGNER 2/10/97	Tyco Electronics Corporation Harrisburg, PA 17105-3608	
DIMENSIONS: INCHES	TOLERANCES UNLESS OTHERWISE SPECIFIED:	CHK -	APVD D.CAMELIO 2/10/97	NAME SMB RIGHT ANGLE PRINTED CIRCUIT BOARD JACK RECEPTACLE STRAIGHT TERMINAL (1250-2762-09)
	0 PLC ± - 1 PLC ± - 2 PLC ± - 3 PLC ± .005 [0.12] 4 PLC ± - ANGLES ± 1°	PRODUCT SPEC -	APPLICATION SPEC -	RESTRICTED TO -
MATERIAL -	FINISH -	WEIGHT -	SIZE A2	CAGE CODE 00779
CUSTOMER DRAWING		SCALE 4:1	DRAWING NO 1084873-1	REV C

单击下面可查看定价，库存，交付和生命周期等信息

[>>TE Connectivity\(泰科\)](#)