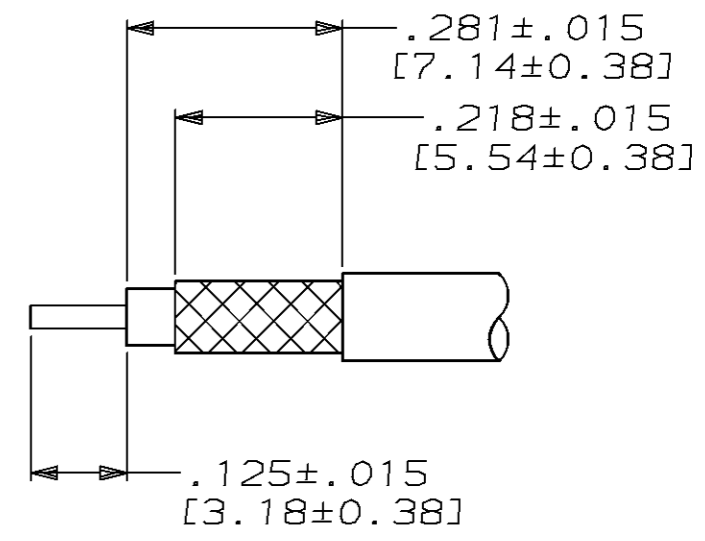
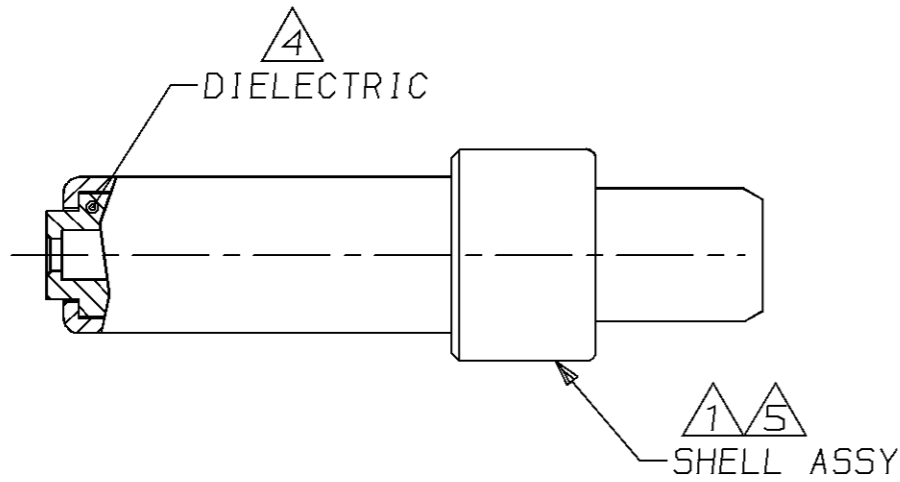
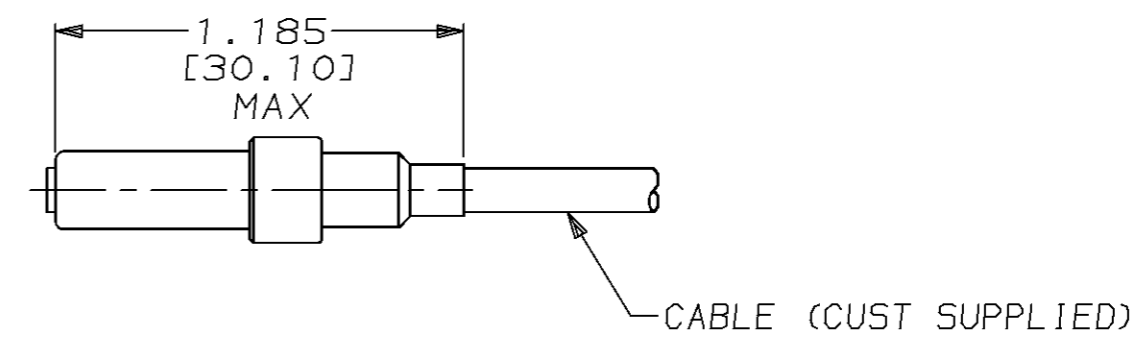


THIS DRAWING IS UNPUBLISHED. RELEASED FOR PUBLICATION, 19 .
 © COPYRIGHT 19 BY AMP INCORPORATED. ALL INTERNATIONAL RIGHTS RESERVED.

PROD 3321 CODE	LOC DF	DIST X0	P	F	REVISIONS					
					ZONE	LTR	DESCRIPTION	DATE	APPD	
				✓		A	REV PER 0600-4013-95	CT	8-95	JD



RECOMMENDED STRIP LENGTH



ASSEMBLED VIEW
 SCALE 2:1

- 1 BRASS PER ASTM-B-16.
- 2 BERYLLIUM COPPER PER ASTM-B-196.
- 3 COPPER PER ASTM-B-152.
- 4 PFTE PER ASTM-D-1710.
- 5 GOLD PLATE PER MIL-G-45204 OVER NICKEL PER QQ-N-290.
- 6 BRIGHT TIN-LEAD PLATE.
- 7. SEE I.S. 2348-3.
- 8. FOR USE WITH RG-179, 187 CABLE

225935-7
 PART NO.

THIS DRAWING IS A CONTROLLED DOCUMENT FOR AMP INCORPORATED. IT IS SUBJECT TO CHANGE AND THE CONTROLLING ENGINEERING ORGANIZATION SHOULD BE CONTACTED FOR THE LATEST REVISION.

DO NOT SCALE PRINT. UNLESS SPECIFIED DIMENSIONS IN INCHES [mm] TOLERANCES ON: 2 PLC DEC ± - 3 PLC DEC ± .005 [0.13] ANGLES ± -	DR 11-8-93 C.C. THOMAS	AMP Incorporated Harrisburg, PA 17105-3608
	CHK 11-9-93 J. CABARLO	
	APPD 11-9-93 J. CABARLO	
	APPD 11-9-93 C.C. THOMAS	
MATERIAL SEE CALLOUTS	PRODUCT SPEC -	NAME CONNECTOR, COAXIAL, RF, PIN, SIZE 9
FINISH SEE CALLOUTS	APPLICATION SPEC -	SIZE B CAGE CODE 00779 DRAWING NO C-225935-7 SCALE 4:1 SHEET 1 OF 1
	WEIGHT -	

单击下面可查看定价，库存，交付和生命周期等信息

[>>TE Connectivity\(泰科\)](#)