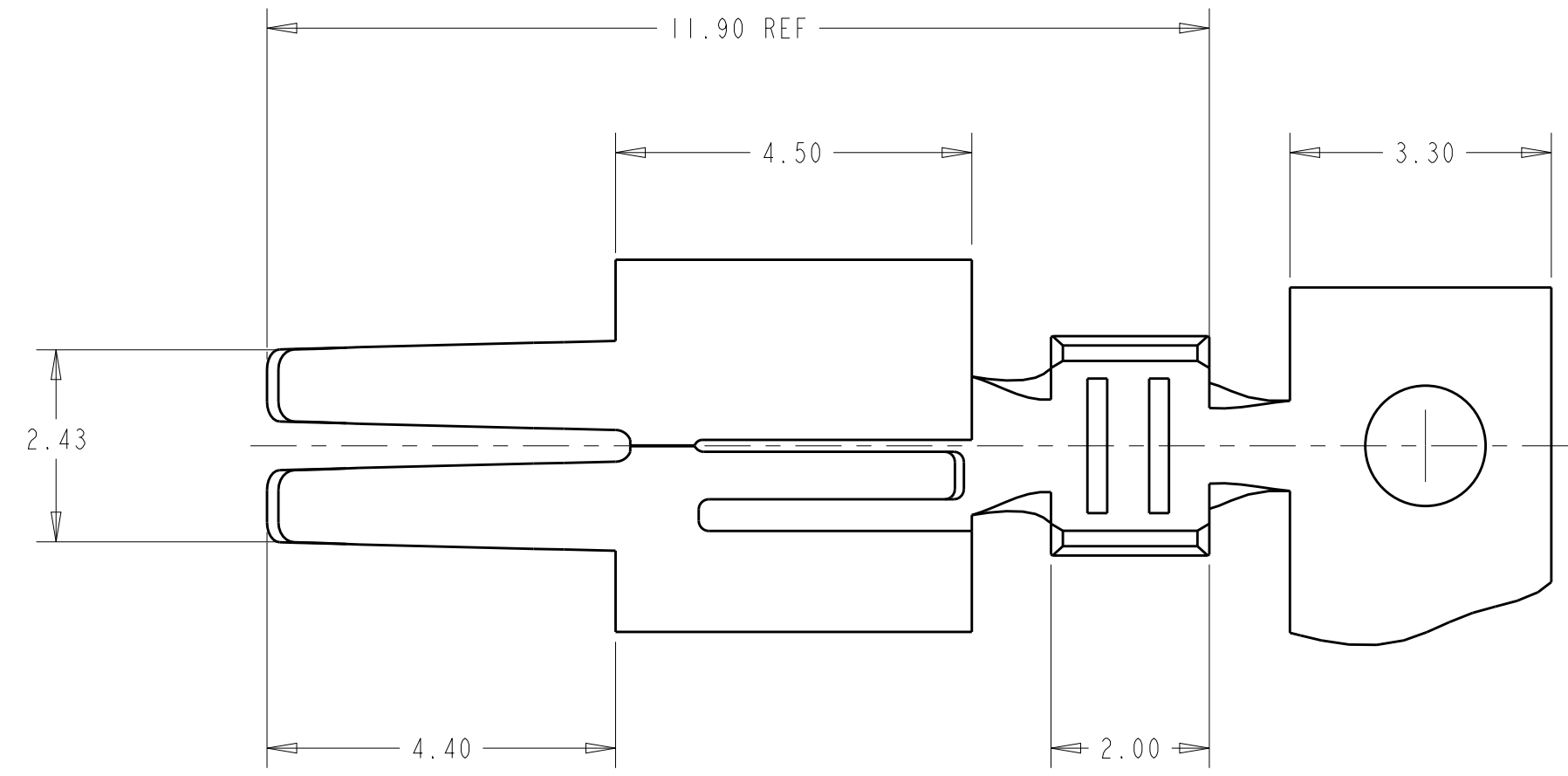
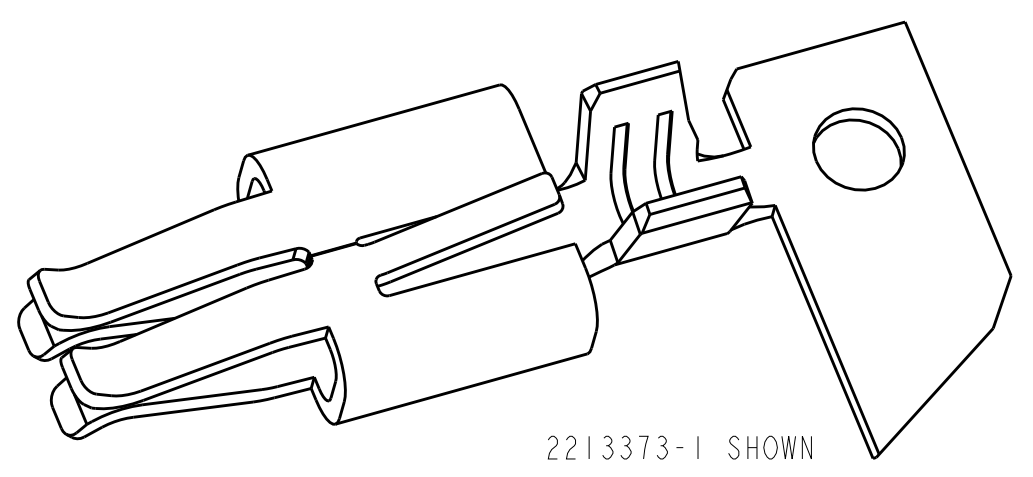
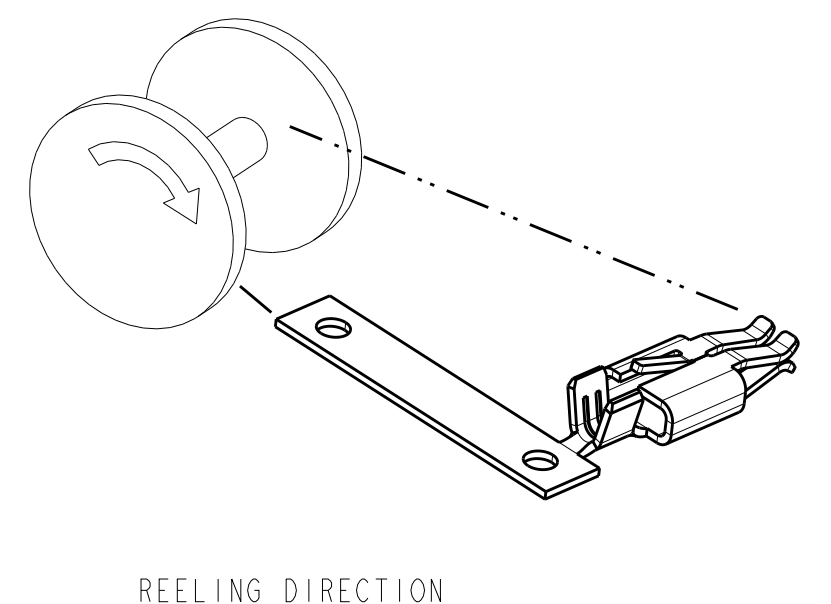
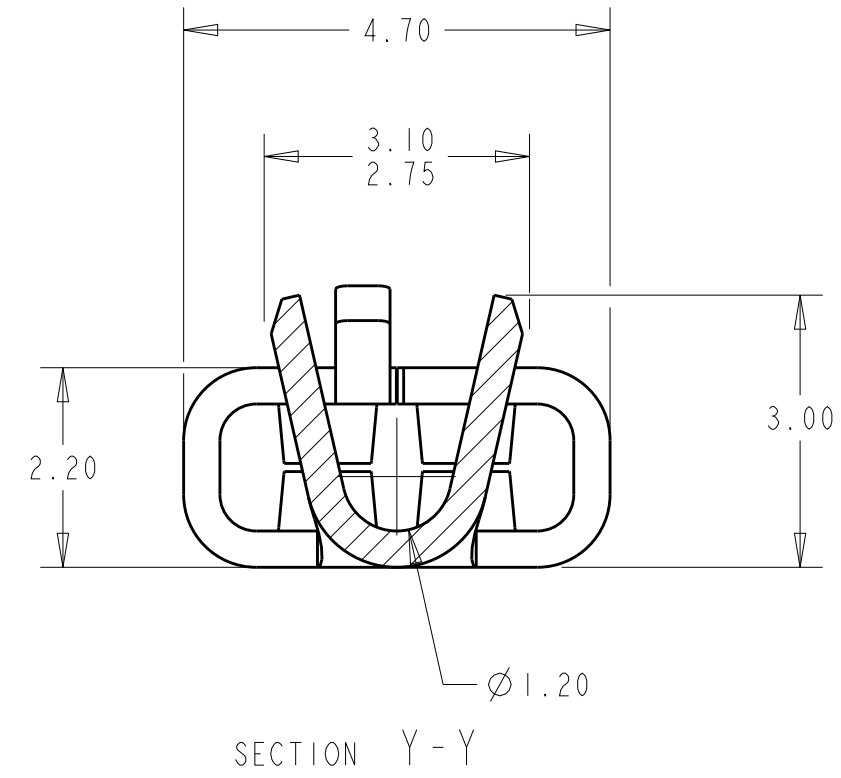
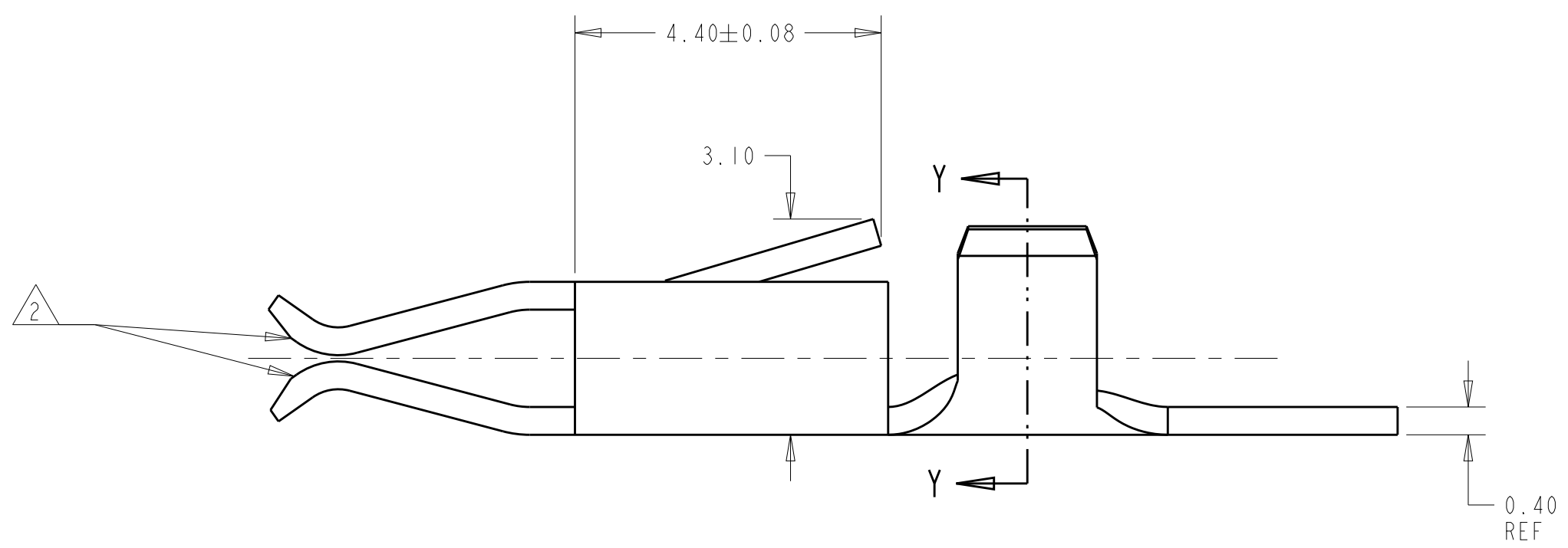


THIS DRAWING IS UNPUBLISHED. RELEASED FOR PUBLICATION 20
 © COPYRIGHT 20 BY - ALL RIGHTS RESERVED.

LOC	DIST	REVISIONS			
P	LTR	DESCRIPTION	DATE	DWN	APVD
	A	REVISED PER ECR-14-001464	13FEB2014	RS	DD
	B	REVISED PER ECR-15-012675	01SEP2015	RS	DD



- 1 MATERIAL: 0.40±0.01, BRASS.
- 2 PLATED OVERALL WITH NICKEL, OVER GOLD IN THE ZONE IDENTIFIED, ALL OTHER AREAS PLATED OVER WITH TIN.
- 3. WIRE RANGE :22-18 AWG.



ON STRIP	2213373-1
REMARKS	PART NO

THIS DRAWING IS A CONTROLLED DOCUMENT.		DWN RAVI.S 16AUG2013	STE TE Connectivity	
DIMENSIONS: mm		CHK D. DECKER 16AUG2013		
TOLERANCES UNLESS OTHERWISE SPECIFIED:		APVD D. DECKER 16AUG2013	NAME SOCKET CONTACT, WIRE TO BOARD CONNECTOR	
0 PLC ±-	1 PLC ±0.3	PRODUCT SPEC 108-2387	RESTRICTED TO	
2 PLC ±0.10	3 PLC ±-	APPLICATION SPEC 114-13252	SIZE A2	CAGE CODE 00779
4 PLC ±0.0001	ANGLES ±2°	WEIGHT -	DRAWING NO C-2213373	REV B
MATERIAL 1 -	FINISH 2 -	Customer Drawing	SCALE 1:2	SHEET 1 OF 1

单击下面可查看定价，库存，交付和生命周期等信息

[>>TE Connectivity\(泰科\)](#)