

THIS DRAWING IS UNPUBLISHED.

RELEASED FOR PUBLICATION

ALL RIGHTS RESERVED.

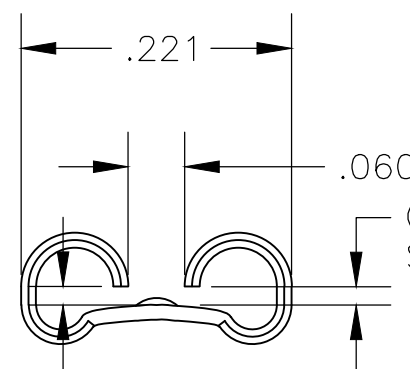
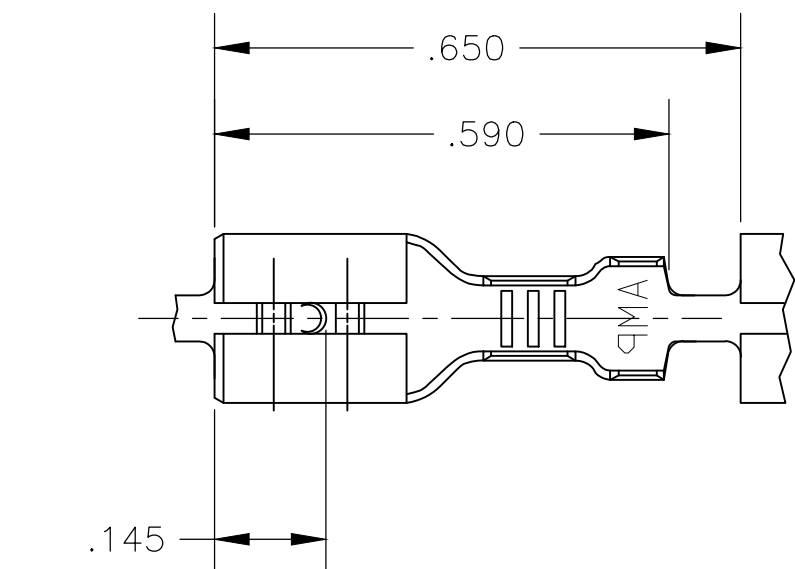
LOC  
AF

DIST  
50

REVISIONS

P	LTR	DESCRIPTION	DATE	DWN	APVD
	AG1	REVISED PER ECR-20-009164	12AUG2020	MK	DH

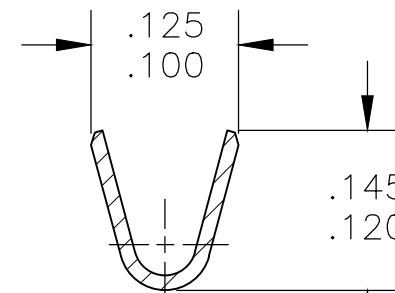
1 CONTINUOUS STRIP ON REELS.



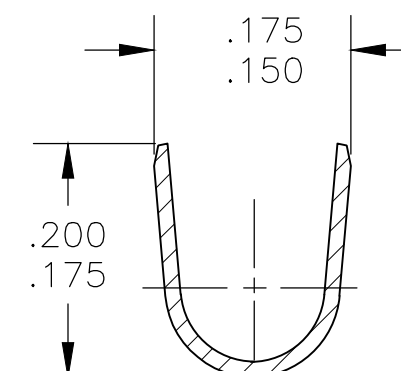
GAP AS REQUIRED TO MEET FORCE SPECIFICATION AND .018 MAX

FITS .187 SERIES FASTON TAB

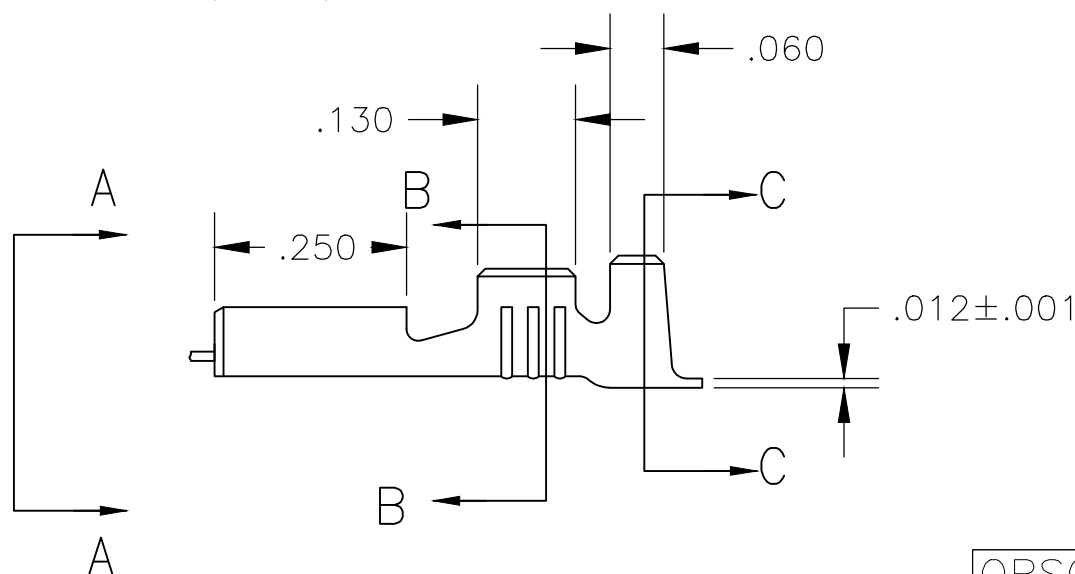
VIEW A-A



SECTION B-B



SECTION C-C



	TIN	#4H PH BRZ	.090-.130	20-16	.021-.019	42452-5
OBSOLETE	SILVER	#4H PH BRZ	.090-.130	20-16	.020±.001	42452-4
OBSOLETE	SILVER	#4H BRASS	.090-.130	20-16	.020±.001	42452-3
	TIN	BRASS	.090-.130	20-16	.021-.019	42452-2
	--	BRASS	.090-.130	20-16	.021-.019	42452-1
	FINISH	MATERIAL	INSULATION RANGE	WIRE SIZE	MATING TAB THK.	PART NO.

THIS DRAWING IS A CONTROLLED DOCUMENT.		DWN JR RUTH 10/3/86	<b>TE Connectivity</b>															
DIMENSIONS: INCHES		CHK G YETTER 10/3/86																
TOLERANCES UNLESS OTHERWISE SPECIFIED:		APVD R KUZO 10/8/86	NAME RECEPTACLE, FASTON, .187 SERIES															
<table border="0"> <tr><td>0 PLC</td><td>± -</td></tr> <tr><td>1 PLC</td><td>± -</td></tr> <tr><td>2 PLC</td><td>± -</td></tr> <tr><td>3 PLC</td><td>± .015</td></tr> <tr><td>4 PLC</td><td>± -</td></tr> <tr><td>ANGLES</td><td>± -</td></tr> </table>		0 PLC	± -	1 PLC	± -	2 PLC	± -	3 PLC	± .015	4 PLC	± -	ANGLES	± -	PRODUCT SPEC -	-			
0 PLC	± -																	
1 PLC	± -																	
2 PLC	± -																	
3 PLC	± .015																	
4 PLC	± -																	
ANGLES	± -																	
MATERIAL SEE ABOVE		APPLICATION SPEC -	SIZE A3	CAGE CODE 00779	DRAWING NO C-42452	RESTRICTED TO -												
FINISH SEE ABOVE		WEIGHT -	CUSTOMER DRAWING		SCALE NTS	SHEET 1 OF 1												
					REV AG1													

单击下面可查看定价，库存，交付和生命周期等信息

[>>TE Connectivity\(泰科\)](#)