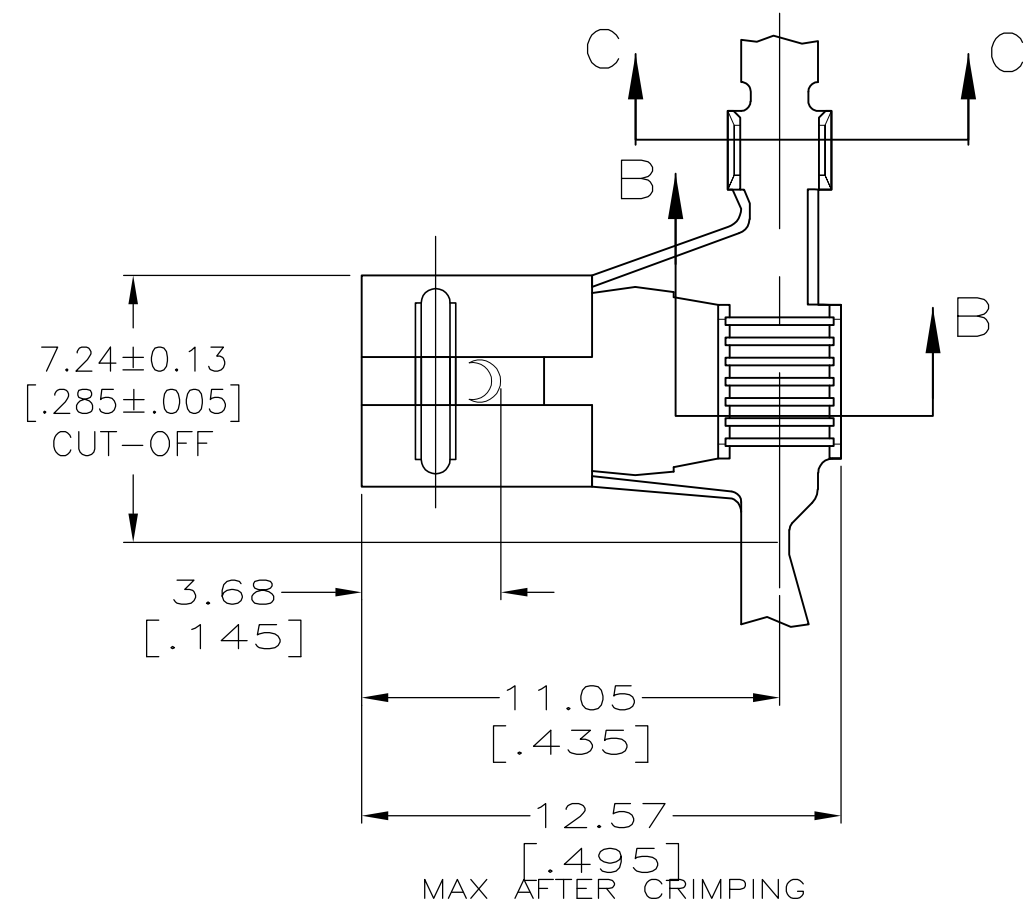
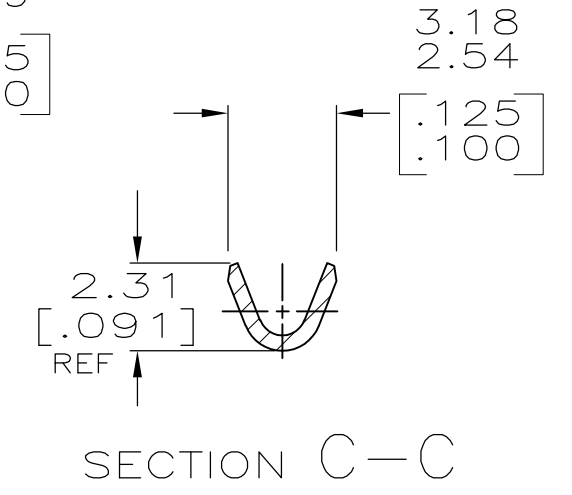
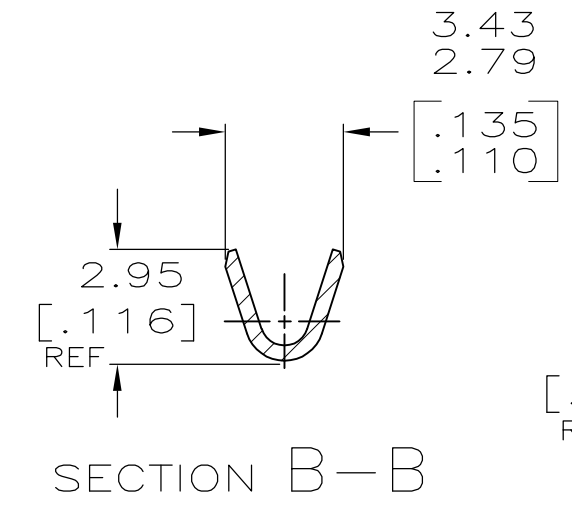
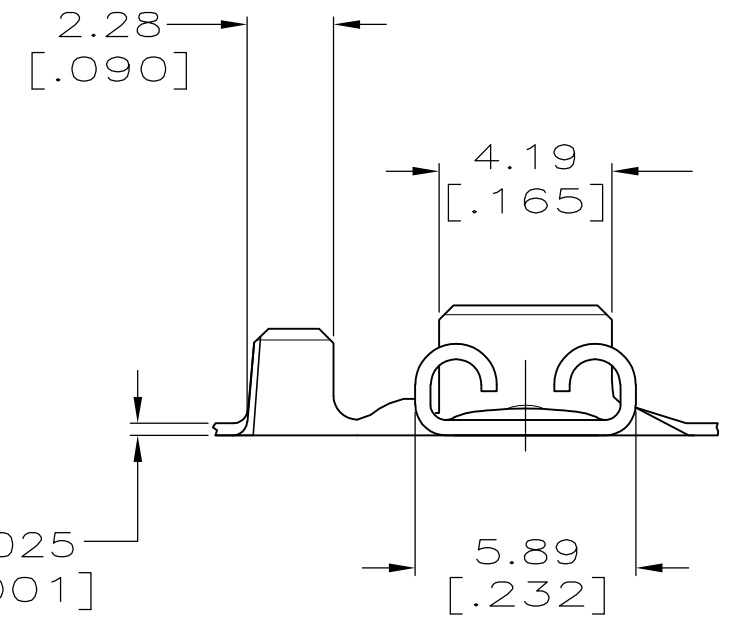
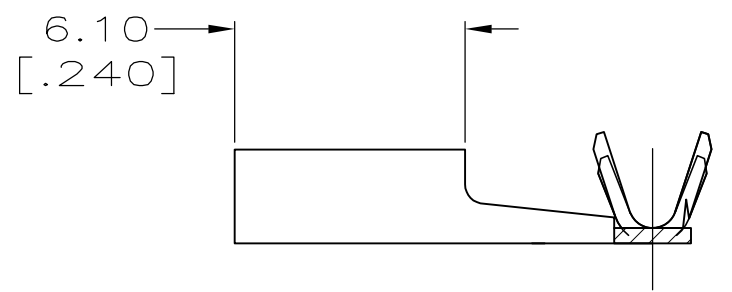


THIS DRAWING IS UNPUBLISHED. RELEASED FOR PUBLICATION
 © COPYRIGHT - By - ALL RIGHTS RESERVED.

LOC	DIST	REVISIONS			
P	LTR	DESCRIPTION	DATE	DWN	APVD
AF	50	J	REVISE PER ECR-13-003819	06AUG13	GRZ DZ



- 1 CONTINUOUS STRIP ON REELS.
- 2 ACCEPTS MAGNET WIRE RANGES 1200-2350 CMA.
- 3 MATING TAB THK TO BE 0.51±0.025 [.020±.001].



0.41±0.025
[.016±.001]

63941-1
PART NO.

THIS DRAWING IS A CONTROLLED DOCUMENT.		DWN	JR RUTH	9/30/96	TE Connectivity RECEPTACLE, FASTON, FLAG, AMPLIVAR, 4.75 [.187] SERIES
DIMENSIONS: mm		CHK	MS FEHER	9/30/96	
TOLERANCES UNLESS OTHERWISE SPECIFIED:		APVD	P DESANTIS	9/30/96	
0 PLC ± - 1 PLC ± - 2 PLC ± 0.25 [.010] 3 PLC ± - 4 PLC ± - ANGLES ± -		PRODUCT SPEC	-		
MATERIAL	BRASS	FINISH	TIN PLATE	WEIGHT	-
CUSTOMER DRAWING				SIZE	A3
				CAGE CODE	00779
				DRAWING NO	C-63941
				RESTRICTED TO	-
				SCALE	5:1
				SHEET	1 OF 1
				REV	J

单击下面可查看定价，库存，交付和生命周期等信息

[>>TE Connectivity\(泰科\)](#)