

NO DI IMPRONTA STAMPO
 (MOULD CAVITY IDENTIFICATION NO.)

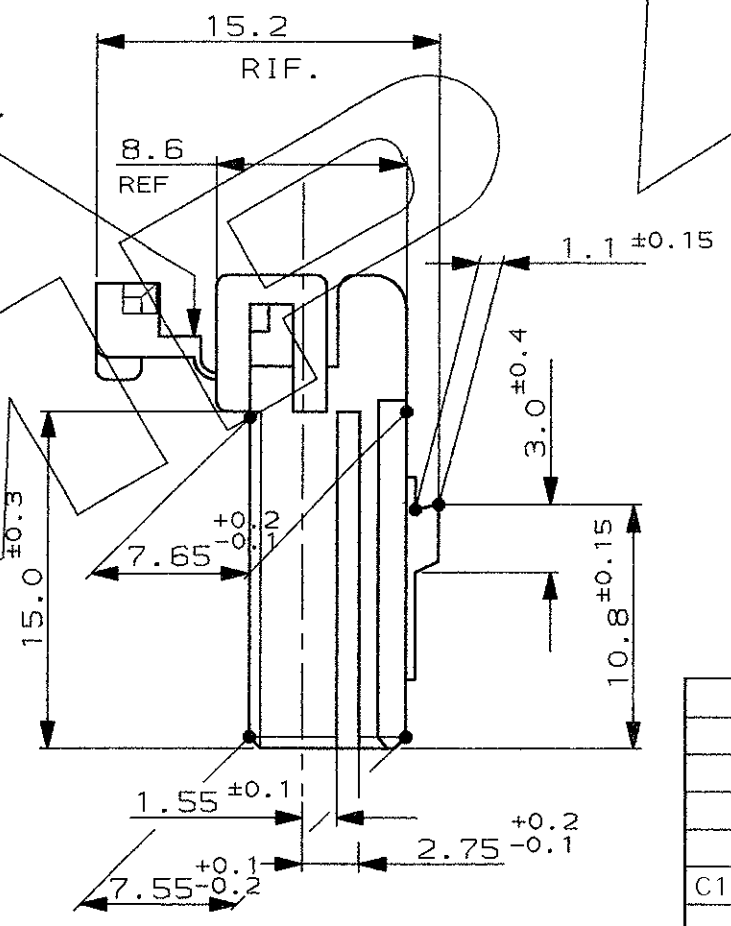
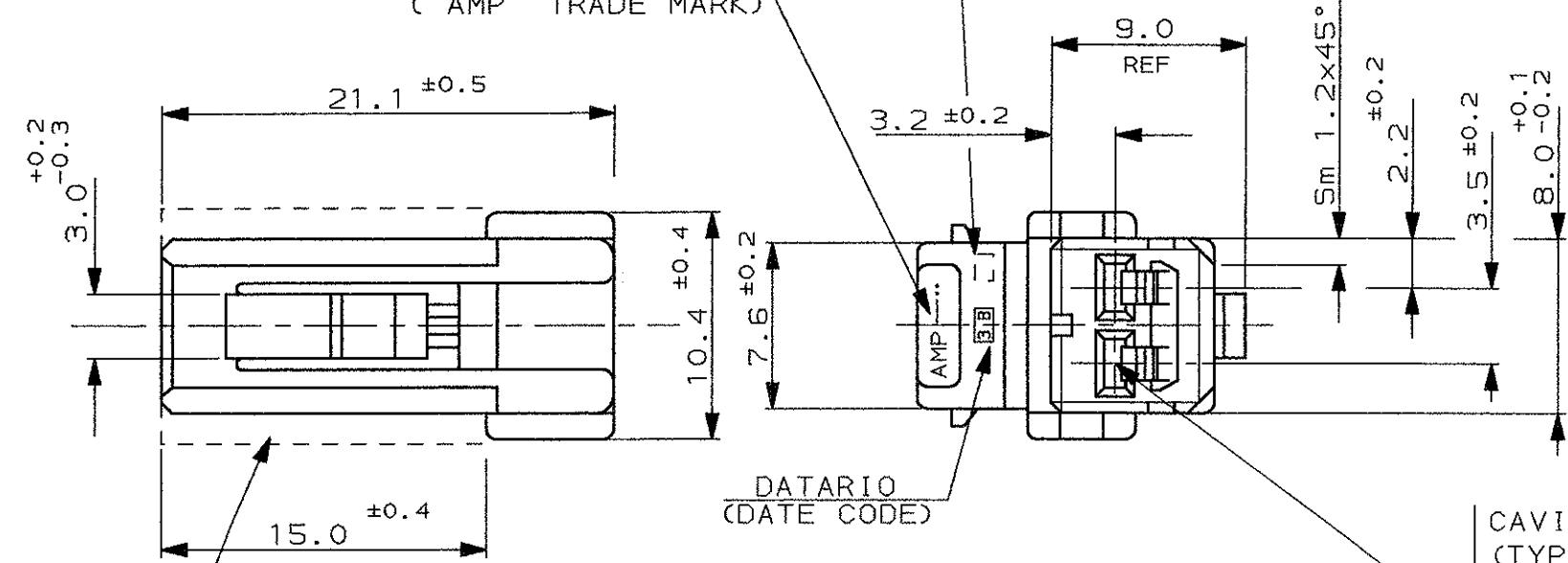
LOGO "AMP"
 ("AMP" TRADE MARK)

DATARIO
 (DATE CODE)

CAVITA' ADATTA PER CONTATTI PN
 (TYP. CAVITY FOR CONTACTS PN)
 282374-1 SEZ. 0.3-0.5 mm² (COD. FIAT 1/23197/44)
 282375-1 SEZ. 0.75-1.5 mm² (COD. FIAT 1/24834/44)

PER DETTAGLIO POLARIZZAZIONI VEDERE FOGLIO 2 DI 3
 PER P/Ns CONTROPARTI PORTAMASCHI VEDERE TABELLA.
 (FOR POLARIZATION DETAIL SEE SHEET 2 OF 3, FOR
 COUNTERPART CAP HSG. P/Ns SEE THE TABLE).

CODICE FORNITORE "A047"
 (SUPPLIER CODE "A047")



NON ESISTE (NOT AVAILABLE)	MARRONE (BROWN)	PBT (PBT UNFILLED)	282365-5
NON ESISTE (NOT AVAILABLE)	GRIGIO (GREY)		282365-4
NON ESISTE (NOT AVAILABLE)	BLU (BLUE)		282365-3
NON ESISTE (NOT AVAILABLE)	NERO (BLACK)		282365-2
174460-1 VERSIONE STANDARD (STANDARD VERSION) 178602-1 PER MONTAGGIO SU PANNELLO (FOR PANEL MOUNT)	BIANCO (NATURAL)		282365-1
PORTAMASCHI VOLANTE (CAP HOUSING)	FINITURA / COLORE (FINISH / COLOUR)	MATERIALE (MATERIAL)	NUMERO (PART NUMBER)

1) PER RAPPRESENTAZIONE DIMA CONTROPARTE VEDERE FOGLIO 3 DI 3
 (FOR COUNTERPART DETAIL SEE SHEET 3 OF 3)

CUSTOMER DWG. FOR REFERENCE ONLY **DISEGNO PER CLIENTE SOLO PER RIFERIMENTO**

THIS DRAWING IS UNPUBLISHED RELEASE FOR PUBLICATION 19

© COPYRIGHT 1997 BY AMP INCORPORATED, HARRISBURG, PA. ALL INTERNATIONAL RIGHT RESERVED. AMP PRODUCTS MAY BE COVERED BY U.S. AND FOREIGN PATENT AND/OR PATENT PENDING

TOLLERANZE, SE NON DIVERSAMENTE SPECIFICATO (TOLERANCES, UNLESS OTHERWISE SPECIFIED)	DIAM. ISOLANTE (INS. DIA. RANGE)	RANGO FILO (WIRE RANGE)	SCALA (SCALE)
± 0.3			3:1

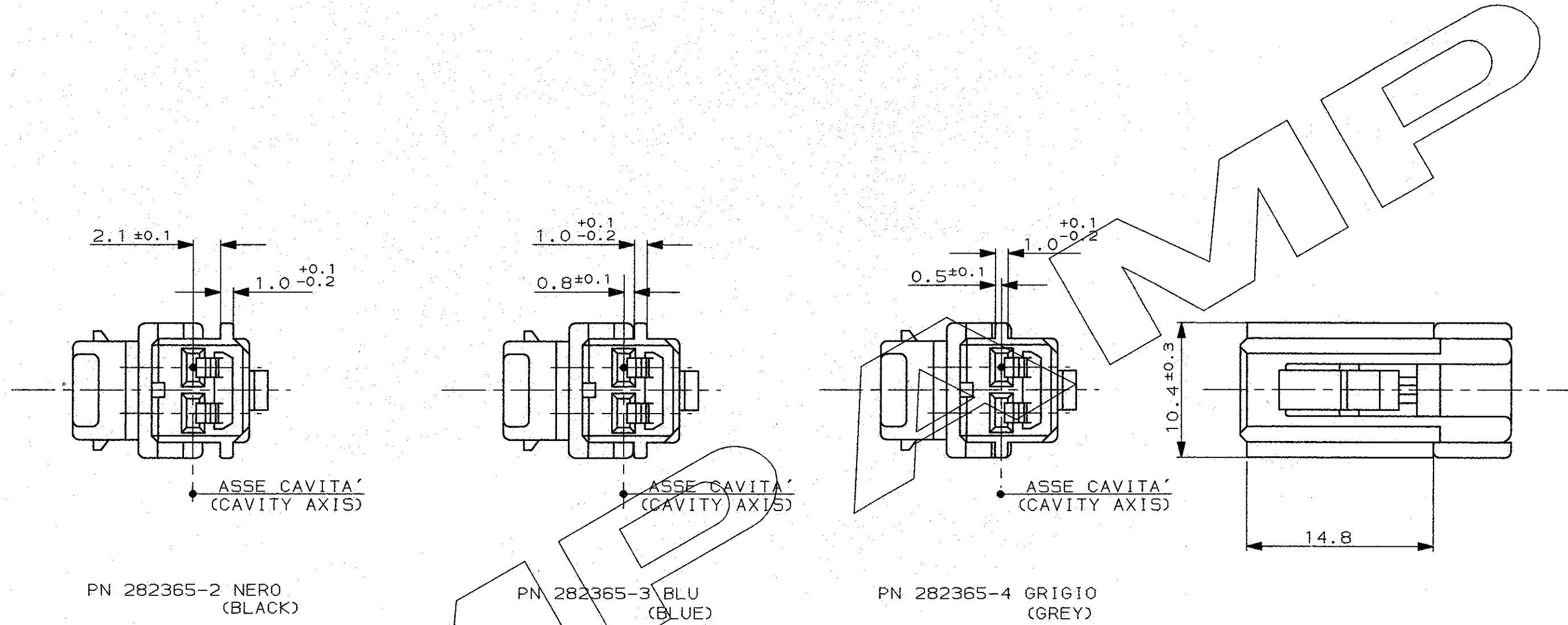
TE Connectivity

DESCRIZIONE (DESCRIPTION) 070 SERIES MULTILOCK*
 CONN. PLUG HOUSING 2 POSITION (PORTAFEMMINA) SINGLE ROW

REV. (REV.)	REVISIONI (REVISION RECORD)	DIS. DATA (DR) (DATE)	APP. (APP.)	LOC. (LOC.)	SIZE (SIZE)	NUMERO (DWS NO)	REV. (REV.)	FOGLIO (SHEET)
1	AGGIORNATO	25-11-93	M.P.	I	A3	C-282365	C1	1 DI 3 (OF 3)

DISTRIBUZIONE (PRINT DIST.)

RAPPRESENTAZIONE GRAFICA VERSIONI POLARIZZATE
(DETAIL REPRESENTATION OF POLARIZED VERSION)



PN 282365-2 NERO
(BLACK)

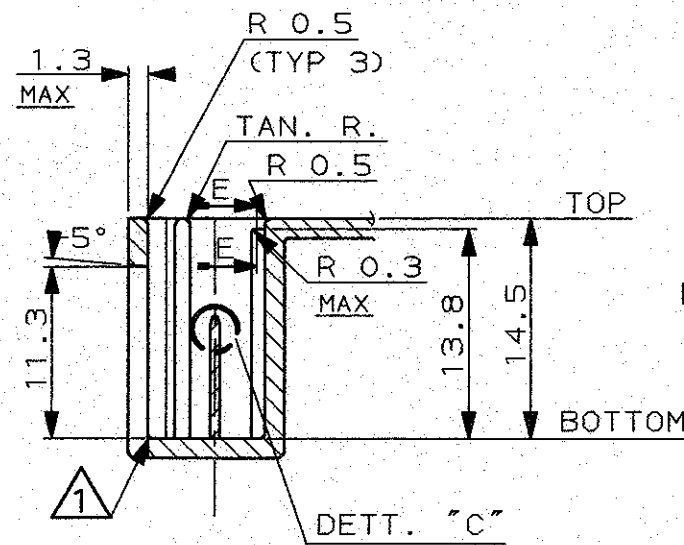
PN 282365-3 BLU
(BLUE)

PN 282365-4 GRIGIO
(GREY)

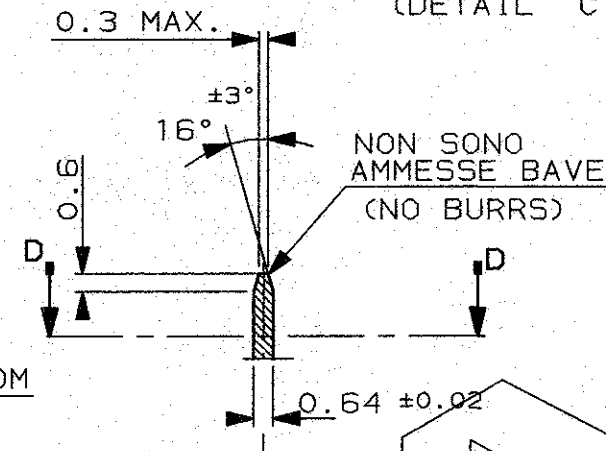
FINITURA / COLORE (FINISH / COLOUR)		MATERIALE (MATERIAL)		NUMERO (PART NUMBER)	
CUSTOMER DWG. FOR REFERENCE ONLY		DISEGNO PER CLIENTE SOLO PER RIFERIMENTO			
THIS DRAWING IS UNPUBLISHED			RELEASE FOR PUBLICATION		19
© COPYRIGHT 19 BY AMP INCORPORATED, HARRISBURG, PA. ALL INTERNATIONAL RIGHT RESERVED. AMP PRODUCTS MAY BE COVERED BY U.S. AND FOREIGN PATENT AND/OR PATENT PENDING					
TOLLERANZE, SE NON DIVERSAMENTE SPECIFICATO (TOLERANCES, UNLESS OTHERWISE SPECIFIED)		DIAM. ISOLANTE (INS. DIA. RANGE)		RANGO FILO (WIRE RANGE)	
± 0.3		-		-	
ANGOLI (ANGLES)		± 2°		-	
DIS. (DR.)		DESCRIZIONE (DESCRIPTION) 070 SERIES MULTILOCK* CONN. PLUG HOUSING 2 POSITION (PORTAFEMMINE) SINGLE ROW			
CONT. (CHK)		LOC. SIZE		NUMERO (DWG NO)	
-		I A3		C-282365	
REV. (REV. LIT.)		DIS. DATA (DR) (DATE)		APP. (APP.)	
REVISIONI (REVISION RECORD)		-		-	
-		-		REV. C1	
-		-		FOGLIO (SHEET) D1	
-		-		3	

DISTRIBUZIONE
(PRINT DIST.)

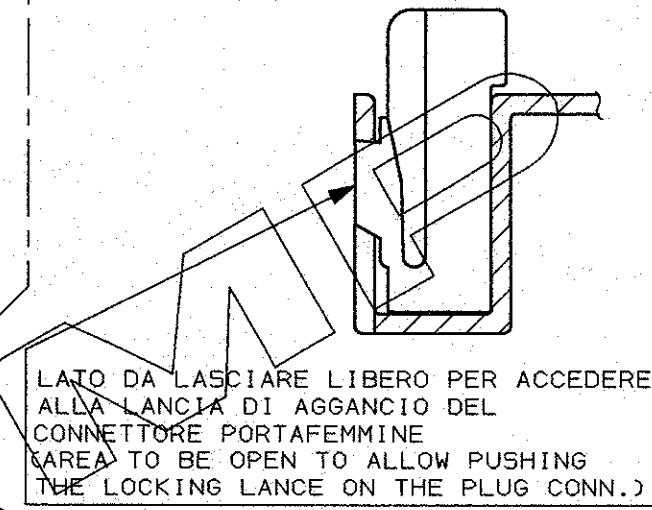
SEZ. B-B
(SECT. B-B)



DETT. 'C'
(DETAIL 'C')



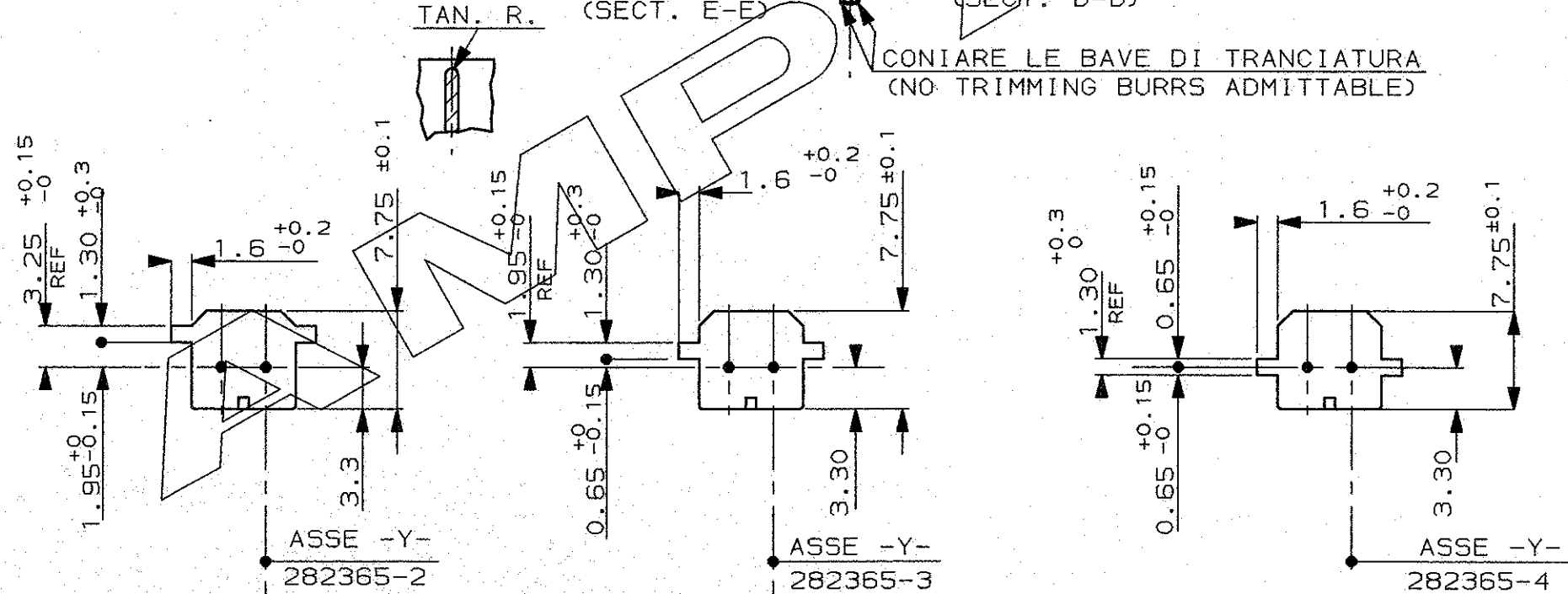
**APPLICAZIONE DEL CONNETTORE
IN DIMA**



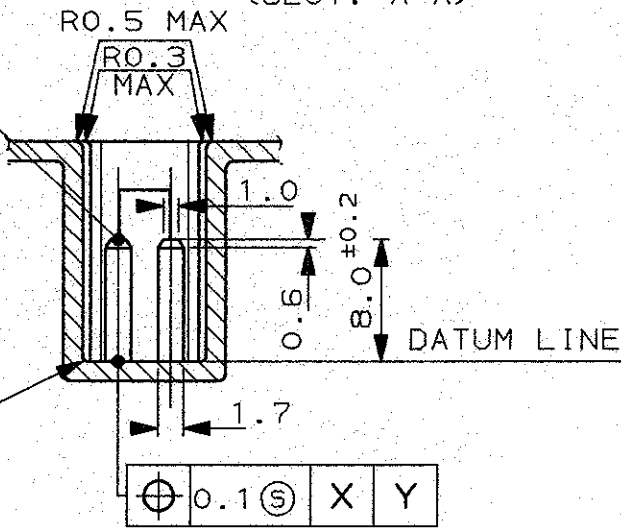
SEZ. D-D
(SECT. D-D)

CONIARE LE BAVE DI TRANCIATURA
(NO TRIMMING BURRS ADMITTABLE)

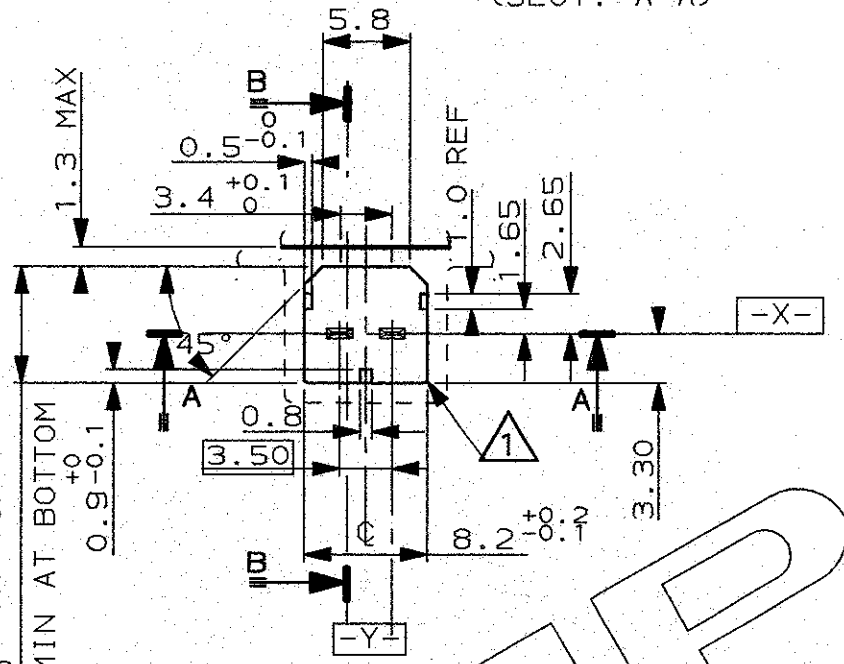
SEZ. E-E
(SECT. E-E)



SEZ. A-A
(SECT. A-A)



SEZ. A-A
(SECT. A-A)



1) SPIGOLI INTERNI R0.3 MAX. SE NON DIVERSAMENTE INDICATO.
(UNLESS OTHERWISE SPECIFIED R0.3 MAX.)

2) TAB: OTTONE TEMPRA 4, STAGNATO.
(TAB: BRASS TEMPER 4, TIN PLATED)

FINITURA / COLORE (FINISH / COLOUR)	MATERIALE (MATERIAL)	NUMERO (PART NUMBER)
--	-------------------------	-------------------------

CUSTOMER DWG.
FOR REFERENCE ONLY

DISEGNO PER CLIENTE
SOLO PER RIFERIMENTO

THIS DRAWING IS UNPUBLISHED RELEASE FOR PUBLICATION 19

© COPYRIGHT 19 BY AMP INCORPORATED, HARRISBURG, PA. ALL INTERNATIONAL RIGHTS RESERVED. AMP PRODUCTS MAY BE COVERED BY U.S. AND FOREIGN PATENT AND/OR PATENT PENDING

TOLLERANZE; SE NON DIVERSAMENTE SPECIFICATO (TOLERANCES; UNLESS OTHERWISE SPECIFIED)	DIAM. ISOLANTE (INS. DIA. RANGE)	RANGO FILO (WIRE RANGE)	SCALA (SCALE)
0 DEC ±0.3 1 DEC ±0.1 2 DEC ±0.05	-	-	2:1

ANGOLI (ANGLES) ±0° 30'

STE TE Connectivity

DIS. (DR.)

DESCRIZIONE (DESCRIPTION) 070 SERIES MULTILOCK*
CONN. PLUG HOUSING 2 POSITION
(PORTAFEMMINE) SINGLE ROW

CONT. (CHK)	LOC. SIZE NUMERO (DWG NO)	REV.	FOGLIO (SHEET)
APP. (APP.)	I A3 C-282365	C1	3 DI (OF) 3

REV.	REVISIONI (REVISION RECORD)	DIS. (DR)	DATA (DATE)

DISTRIBUZIONE (PRINT DIST.)

单击下面可查看定价，库存，交付和生命周期等信息

[>>TE Connectivity\(泰科\)](#)