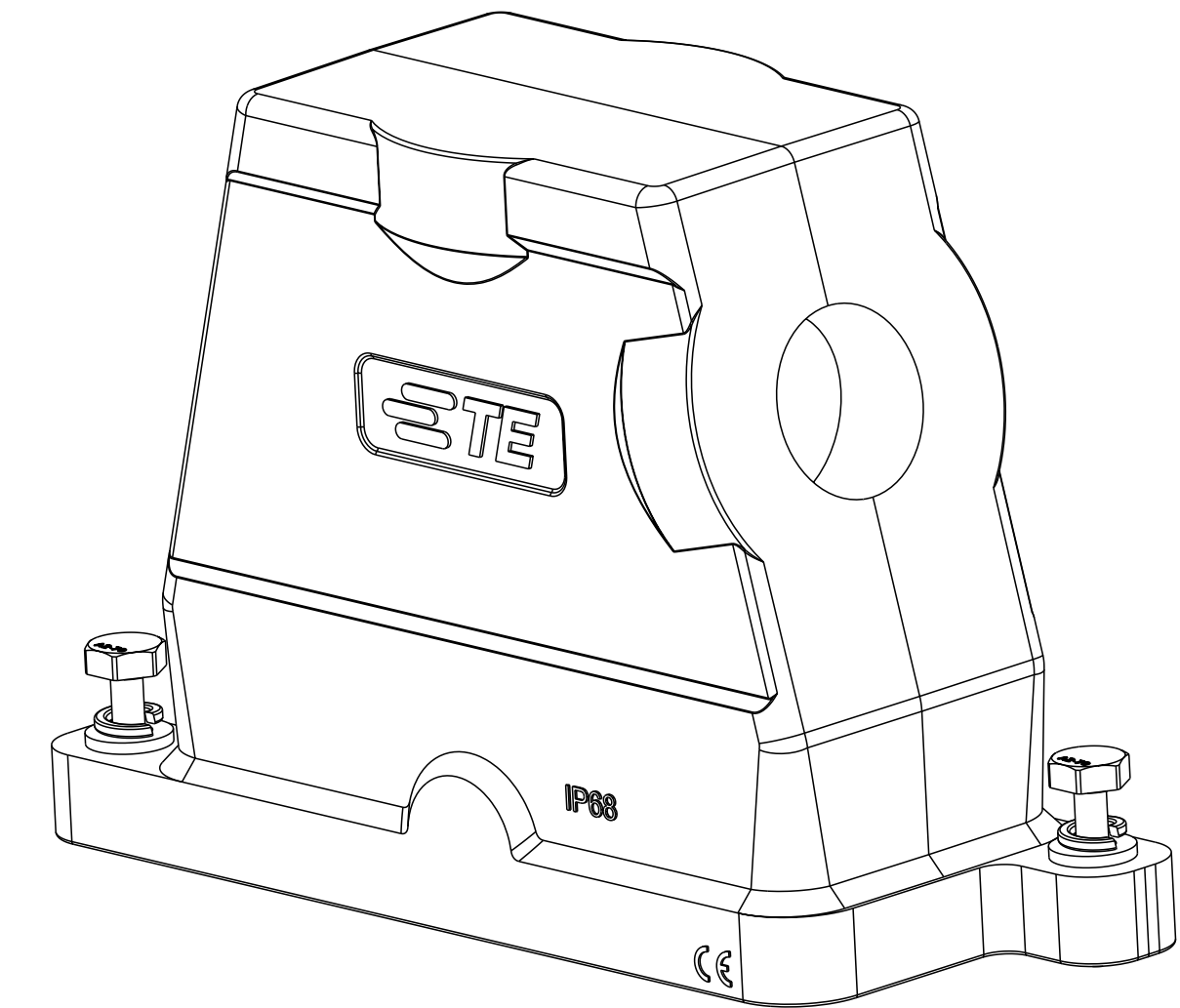
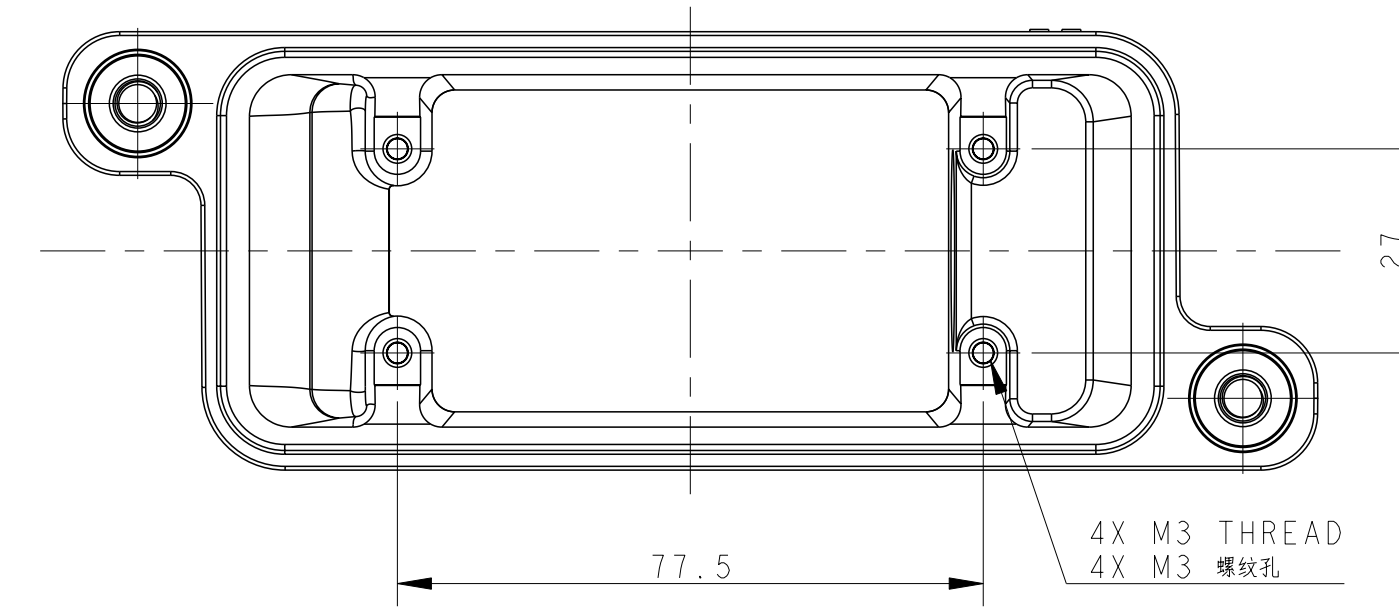
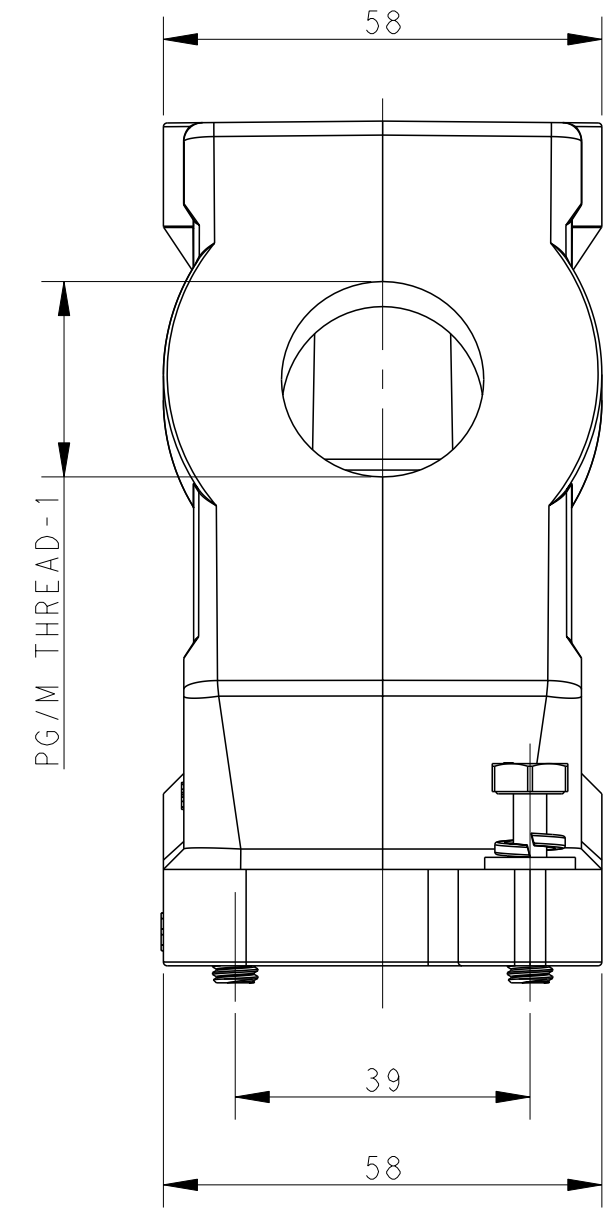
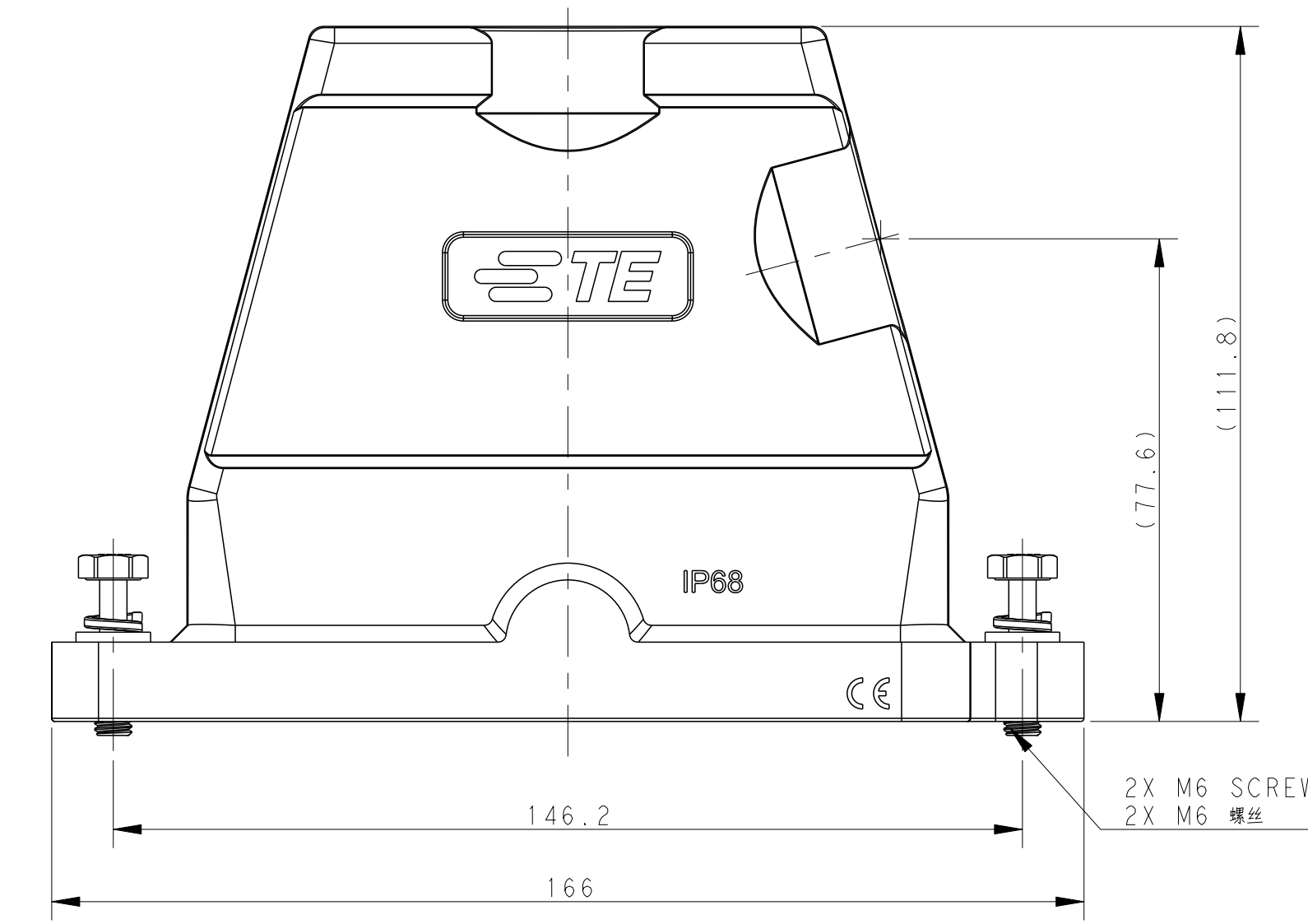


REVISIONS				
#	DATE	DESCRIPTION	DATE	APPV
A	02SEP2016	INITIAL RELEASE	DW	CW
B	03JUN2021	ECR-20-016312	BS	CW



NOTES:
 1. TECHNICAL CHARACTERISTICS:
 HOOD MATERIAL: DIE CAST ALUMINIUM ALLOY
 SURFACE: SEE TABLE
 DEGREE OF PROTECTION: IP68 (MATED)

注释:
 1. 技术参数:
 壳体材料: 铝合金
 表面处理: 见表格
 防护等级: IP68 (配合)

PART NUMBER	料号	PART DESCRIPTION	描述
T1910161140-009	H16BPR-TSH-M40-EMC-C	H16BPR HOOD, DIAGONAL LOCKING, SIDE ENTRY M40, POWDER COATED, SILVER WHITE	M40
T1910161136-009	H16BPR-TSH-PG36-EMC-C	H16BPR HOOD, DIAGONAL LOCKING, SIDE ENTRY PG36, POWDER COATED, SILVER WHITE	PG36
T1910161132-009	H16BPR-TSH-M32-EMC-C	H16BPR HOOD, DIAGONAL LOCKING, SIDE ENTRY M32, POWDER COATED, SILVER WHITE	M32
T1910161129-009	H16BPR-TSH-PG29-EMC-C	H16BPR HOOD, DIAGONAL LOCKING, SIDE ENTRY PG29, POWDER COATED, SILVER WHITE	PG29
T1910161125-009	H16BPR-TSH-M25-EMC-C	H16BPR HOOD, DIAGONAL LOCKING, SIDE ENTRY M25, POWDER COATED, SILVER WHITE	M25
T1910161121-009	H16BPR-TSH-PG21-EMC-C	H16BPR HOOD, DIAGONAL LOCKING, SIDE ENTRY PG21, POWDER COATED, SILVER WHITE	PG21
T1910160140-009	H16BPR-TSH-M40-EMC-C	H16BPR HOOD, DIAGONAL LOCKING, SIDE ENTRY M40, POWDER COATED, BLACK	M40
T1910160136-009	H16BPR-TSH-PG36-EMC-C	H16BPR HOOD, DIAGONAL LOCKING, SIDE ENTRY PG36, POWDER COATED, BLACK	PG36
T1910160132-009	H16BPR-TSH-M32-EMC-C	H16BPR HOOD, DIAGONAL LOCKING, SIDE ENTRY M32, POWDER COATED, BLACK	M32
T1910160129-009	H16BPR-TSH-PG29-EMC-C	H16BPR HOOD, DIAGONAL LOCKING, SIDE ENTRY PG29, POWDER COATED, BLACK	PG29
T1910160125-009	H16BPR-TSH-M25-EMC-C	H16BPR HOOD, DIAGONAL LOCKING, SIDE ENTRY M25, POWDER COATED, BLACK	M25
T1910160121-009	H16BPR-TSH-PG21-EMC-C	H16BPR HOOD, DIAGONAL LOCKING, SIDE ENTRY PG21, POWDER COATED, BLACK	PG21

THIS DRAWING IS A CONTROLLED DOCUMENT.		OWN: DAVID WANG 02SEP2016	TE Connectivity NAME: H16BPR-TSH-PG/M-EMC-C
DIMENSIONS:		CHK: CHRIS WANG 02SEP2016	
TOLERANCES UNLESS OTHERWISE SPECIFIED:		APPV: XIANG XU 02SEP2016	
mm 0 PLC ± 2 PLC ± 3 PLC ± 4 PLC ± ANGLES FINISH ±		PRODUCT SPEC: 108-137191 APPLICATION SPEC: 114-137191 WEIGHT: - CUSTOMER DRAWING	
MATERIAL: -		SIZE: A1	CAGE CODE: - DRAWING NO: C-T191016XXXX09 RESTRICTED TO: - SCALE: 1:1 SHEET: 1 of 1 REV: B

单击下面可查看定价，库存，交付和生命周期等信息

[>>TE Connectivity\(泰科\)](#)