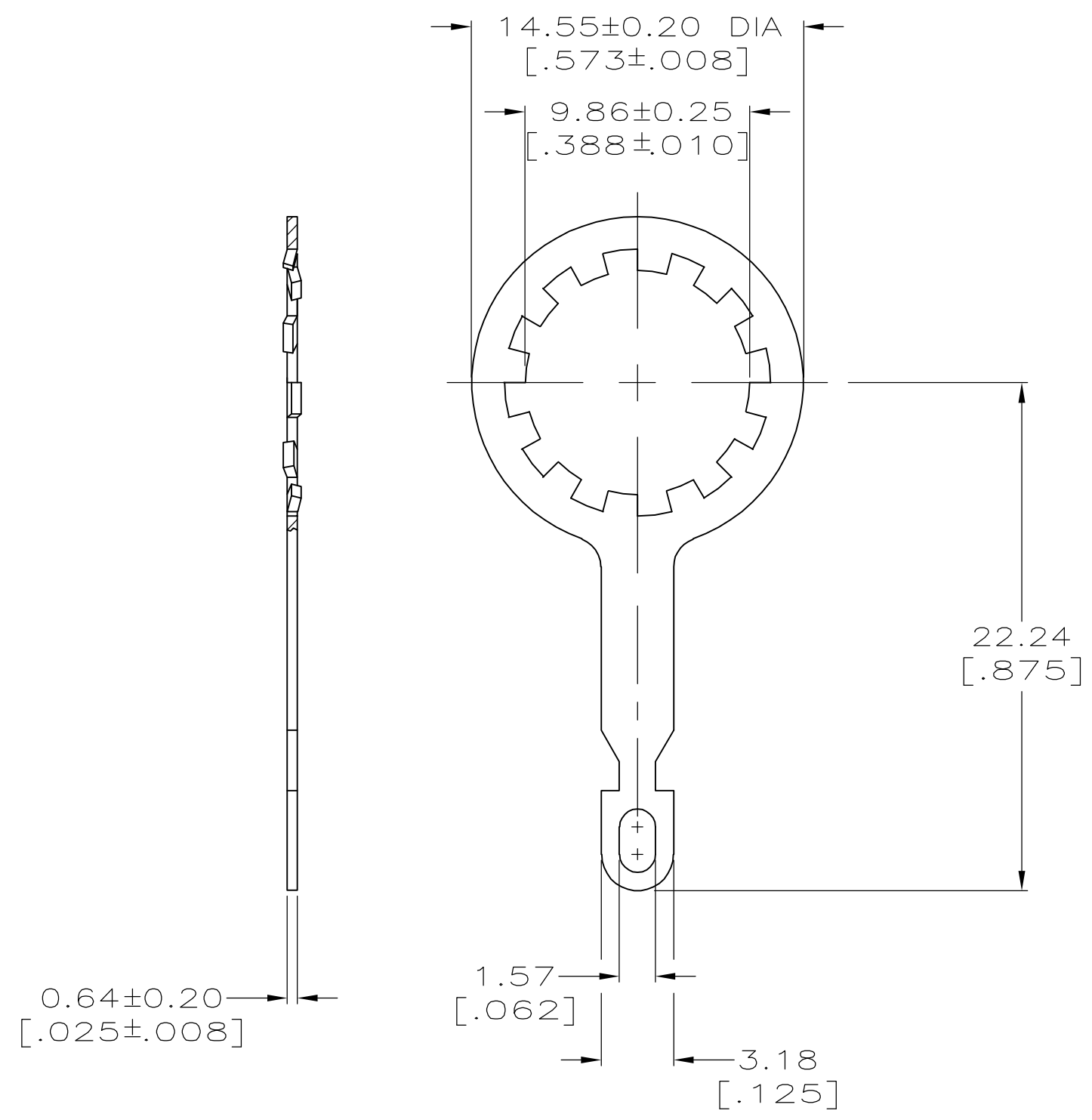


THIS DRAWING IS UNPUBLISHED. RELEASED FOR PUBLICATION
 © COPYRIGHT BY TYCO ELECTRONICS CORPORATION. ALL RIGHTS RESERVED.

LOC	DIST	REVISIONS			
P	LTR	DESCRIPTION	DATE	DWN	APVD
	F1	REVISED PER ECO-06-018704	06SEP2006	MC	JH

- ① BRASS PER ASTM-B-36
- ② TIN-LEAD PLATE PER MIL-P-81728
3.81 μm [.000150] MINIMUM THICK.
- ③ SEE SEPERATE RESTRICTED CUSTOMER DRAWING WITH THIS PART NUMBER.
- ④ TIN PLATE PER ASTM-B-545
3.81 μm [.000150] MINIMUM THICK.



OBSOLETE	④	9-227260-0
	-	227260-3
	②	227260-2
	FINISH	PART NUMBER

THIS DRAWING IS A CONTROLLED DOCUMENT.		DWN J. LIPPERT 5-23-94	Tyco Electronics Corporation Harrisburg, PA 17105-3608			
DIMENSIONS: MM[INCHES]		CHK D. TAYLOE 5-23-94				
TOLERANCES UNLESS OTHERWISE SPECIFIED:		APVD D. TAYLOE 05-29-94	NAME LOCKWASHER, TERMINAL			
0 PLC ± - 1 PLC ± - 2 PLC ± - 3 PLC ± 0.41 [.016] 4 PLC ± - ANGLES ± -		PRODUCT SPEC -	APPLICATION SPEC -			
MATERIAL ①	FINISH SEE TABLE	WEIGHT .021 OZ	SIZE A3	CAGE CODE 00779	DRAWING NO C-227260	RESTRICTED TO -
CUSTOMER DRAWING			SCALE 4:1	SHEET 1 OF 1	REV F1	

单击下面可查看定价，库存，交付和生命周期等信息

[>>TE Connectivity\(泰科\)](#)