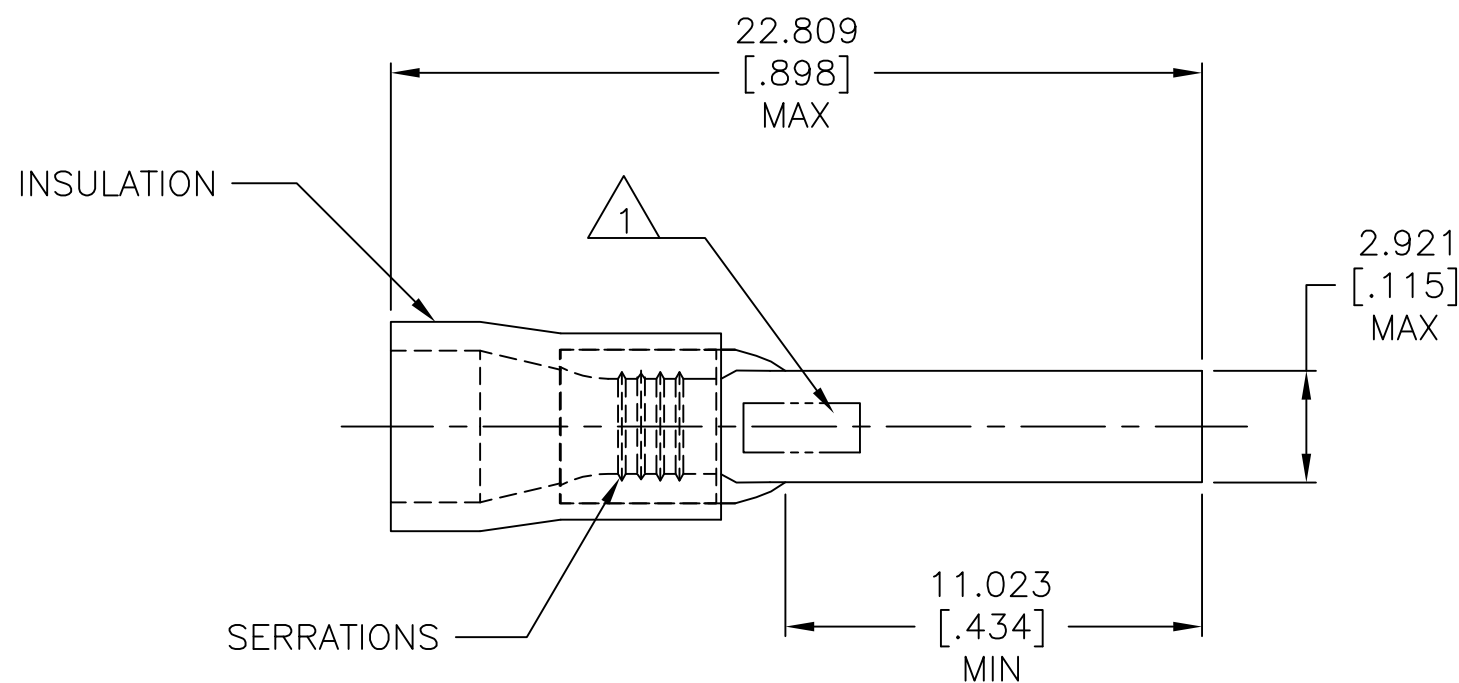
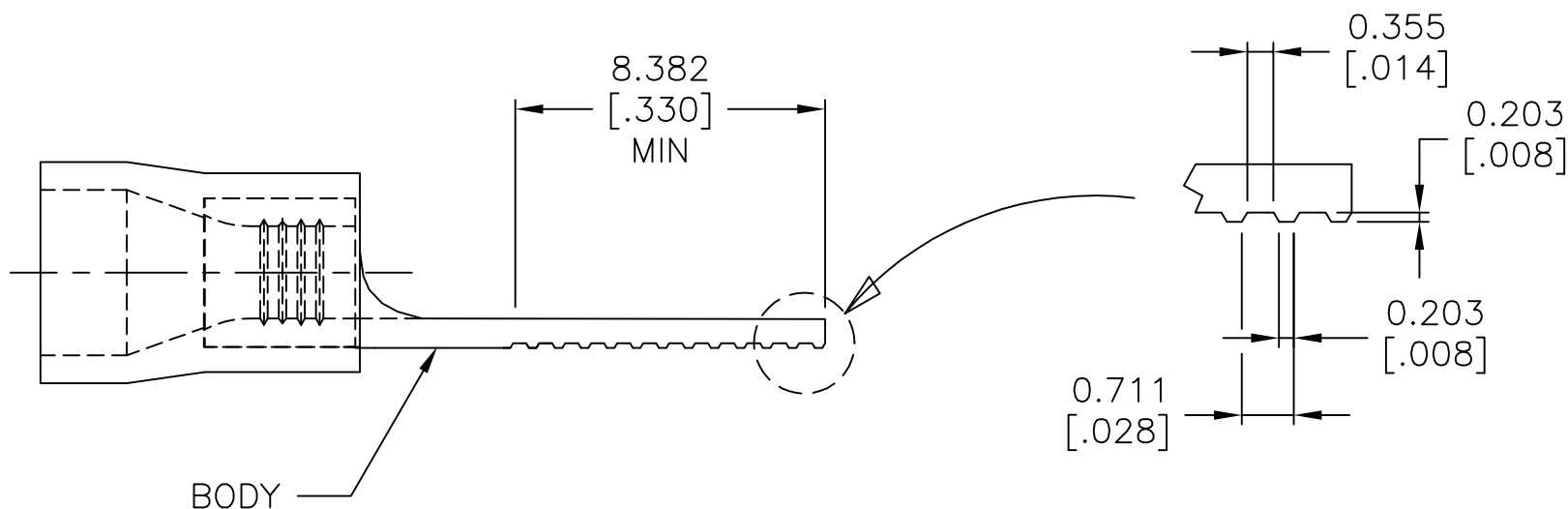


REVISIONS

P	LTR	DESCRIPTION	DATE	DWN	APVD
F2		REV PER ECR 06-006559	29MAR06	JR	TM
F3		REVISED PER ECO-09-020935	29AUG09	KK	AEG
F4		REVISED PER ECO-17-008809	19JUN2017	RS	DR



- 1 WIRE SIZE IS 16-14 AWG.
- 2 WIRE INSULATION DIA: $\phi 2.997-4.902$
[$\phi .118-.193$]
- 3 MATERIAL THICKNESS IS 0.787 ± 0.050
[$.031 \pm .002$]
- 4 600 VOLT MAX.
- 5 CIRCULAR MIL AREA:
2,050 - 5,180 ($1.04\text{mm}^2-2.62\text{mm}^2$)
- 6 NOTE DELETED.
- 7 MAXIMUM TEMPERATURE 105°C [221°F].



LOOSE PIECE	1000	131444
PACKAGING TYPE	QTY	PART NO

THIS DRAWING IS A CONTROLLED DOCUMENT.		DWN jr_ruth 08DEC05	STE TE Connectivity													
DIMENSIONS: mm [INCHES]		CHK T MICHELUTTI 08DEC05														
TOLERANCES UNLESS OTHERWISE SPECIFIED:		APVD T MICHELUTTI 08DEC05	NAME TERMINAL, TAB, PLASTI-GRIP, 16-14 AWG													
<table border="0"> <tr><td>0 PLC</td><td>± -</td></tr> <tr><td>1 PLC</td><td>± -</td></tr> <tr><td>2 PLC</td><td>± -</td></tr> <tr><td>3 PLC</td><td>± 0.127[.005]</td></tr> <tr><td>4 PLC</td><td>± -</td></tr> <tr><td>ANGLES</td><td>± 1°</td></tr> </table>		0 PLC	± -	1 PLC	± -	2 PLC	± -	3 PLC	± 0.127[.005]	4 PLC	± -	ANGLES	± 1°	PRODUCT SPEC -	APPLICATION SPEC 114-2161	
0 PLC	± -															
1 PLC	± -															
2 PLC	± -															
3 PLC	± 0.127[.005]															
4 PLC	± -															
ANGLES	± 1°															
MATERIAL INSULATION: PVC BODY: COPPER PER ASTM B152		FINISH INSULATION COLOR: BLUE BODY: TIN PLATE PER ASTM B545	WEIGHT -	SIZE A3	CAGE CODE 00779											
CUSTOMER DRAWING			DRAWING NO C=131444	RESTRICTED TO -												
SCALE 5:1			SHEET 1 OF 1	REV F4												

单击下面可查看定价，库存，交付和生命周期等信息

[>>TE Connectivity\(泰科\)](#)