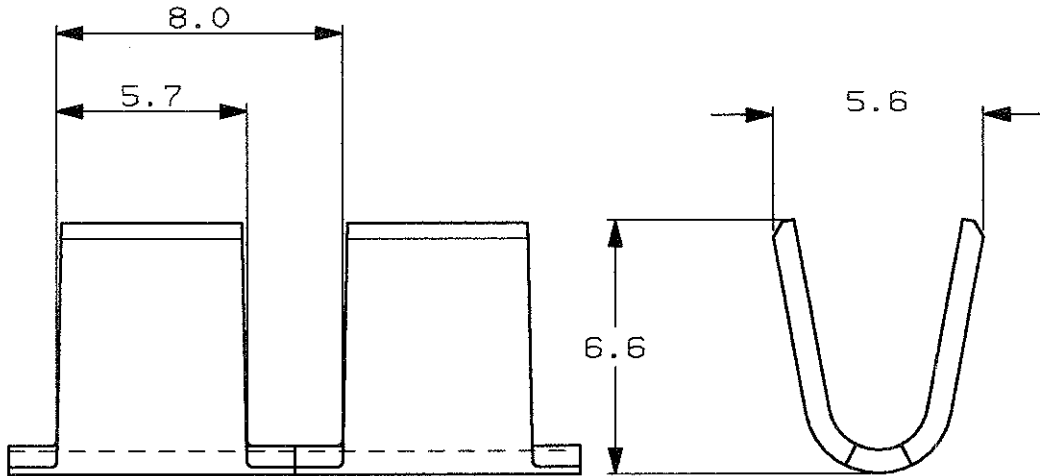


SCALA NON IMPEGNATIVA  
(DO NOT SCALE)  
DIMENSIONI IN mm  
(DIMENSIONS IN mm)

**METRIC**

PROIEZIONE EUROPEA  
(EUROPEAN PROJECTION)



APPLICATION SPEC. 114-2008

STAGNATO (TIN PLATED)	OTTONE (BRASS)	0-140792-2
- (UNPLATED)	OTTONE (BRASS)	0-140792-1
FINITURA / COLORE (FINISH / COLOUR)	MATERIALE (MATERIAL)	NUMERO (PART NUMBER)

CUSTOMER DWG.  
FOR REFERENCE ONLY

DISEGNO PER CLIENTE  
SOLO PER RIFERIMENTO

THIS DRAWING IS UNPUBLISHED | RELEASE FOR PUBLICATION 19  
© COPYRIGHT 19 BY AMP INCORPORATED, HARRISBURG, PA. ALL INTERNATIONAL RIGHT RESERVED. AMP PRODUCTS MAY BE COVERED BY U.S. AND FOREIGN PATENT AND/OR PATENT PENDING

TOLLERANZE: SE NON DIVERSAMENTE SPECIFICATO (TOLERANCES: UNLESS OTHERWISE SPECIFIED)	DIAM. ISOLANTE (INS. DIA. RANGE)	RANGO FILO (WIRE RANGE)	SCALA (SCALE)
± 0.3	-	5000/13000 CMA	-

ANGOLI  
(ANGLES) ± 2°

**AMP** AMP ITALIA S.p.A.  
Corso F. LLI Cervi, 15  
COLLEGNO (TORINO)

DIS. 06 JUN 2001  
(DR.) G. SINCHETTO

DESCRIZIONE  
(DESCRIPTION) SPECIAL SPLICE  
(WITHOUT SERRATIONS)

CONT. 05 JUN 2001  
(CHK) C. TARTARI

LOC. SIZE	NUMERO (DWG NO)	REV.	FOGLIO (SHEET)
I A4	C-140792	J	1 DI 1

REV. J	REVISIONI (REVISION RECORD)	DIS. DATA (DR)	APP. - (APP.)
ET00 0155-01	G.S.	JUN 01	

DISTRIBUZIONE  
(PRINT DIST.)

单击下面可查看定价，库存，交付和生命周期等信息

[>>TE Connectivity\(泰科\)](#)