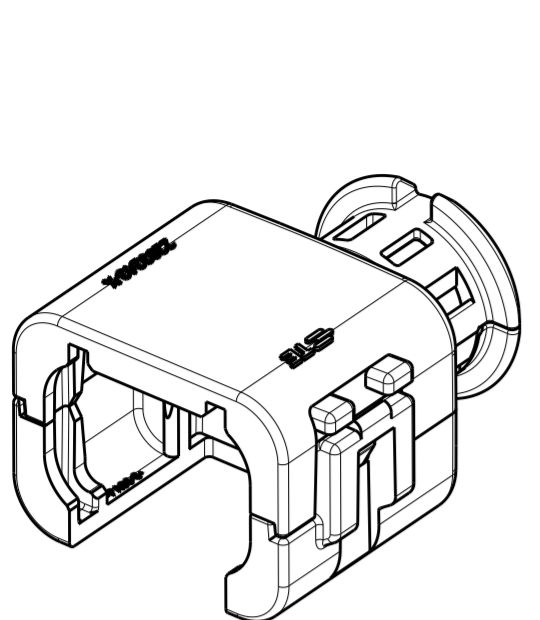
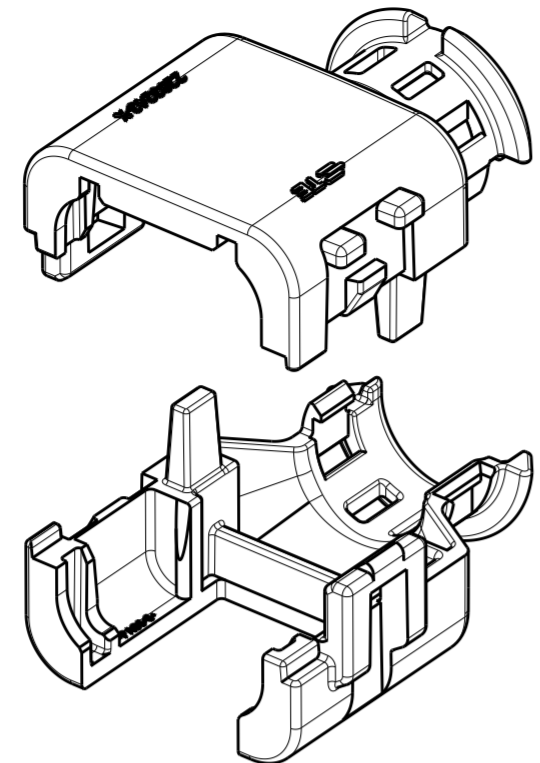


THIS DRAWING IS UNPUBLISHED. RELEASED FOR PUBLICATION 20
 © COPYRIGHT 20 BY - ALL RIGHTS RESERVED.

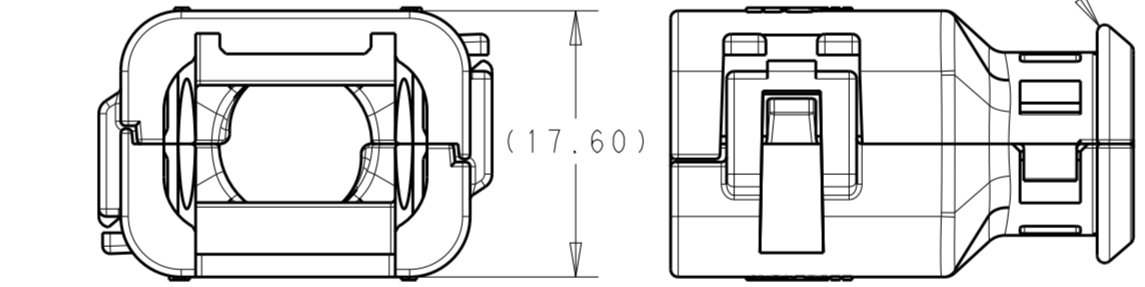
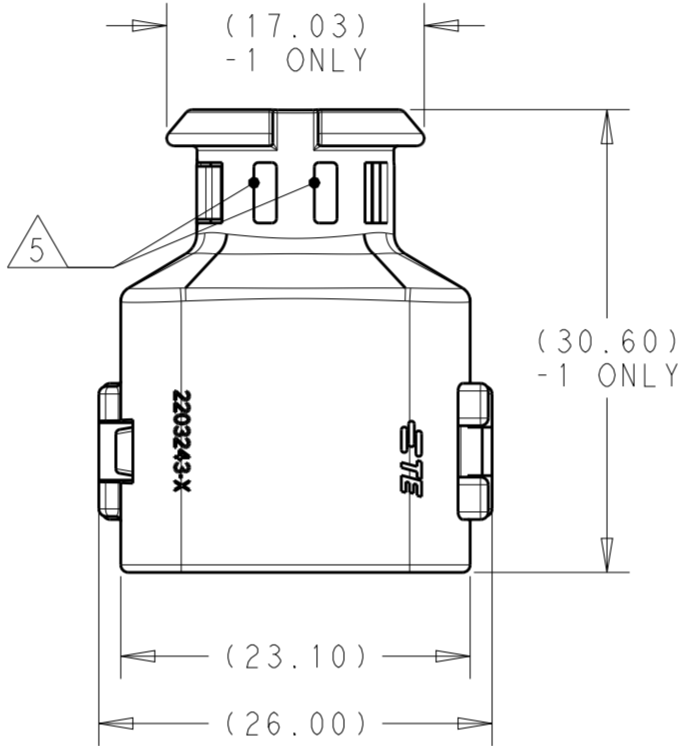
REVISIONS				
P	LTR	DESCRIPTION	DATE	APVD
A		RELEASED PER ECO-15-010501	17JUL2015	JM RB
A1		REV PER ECO-16-007279	12MAY2016	JM RB
A2		REV PER ECO-16-013256	08SEP2016	JM RB



2292797-1
ASSEMBLED ISOMETRIC VIEW SHOWN



2292797-1
EXPLODED ISOMETRIC VIEW SHOWN

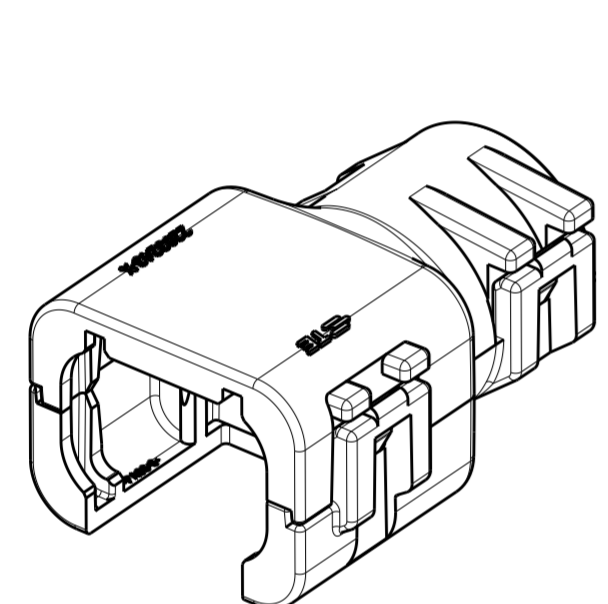


2292797-1
ASSEMBLED VIEW SHOWN

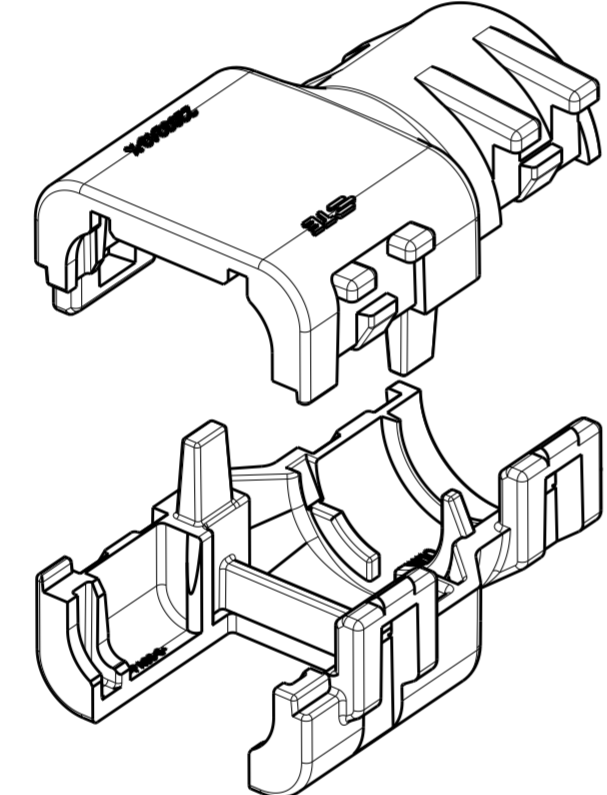
DIMENSIONS SHOWN TYPICAL FOR ALL PART NUMBERS EXCEPT AS NOTED



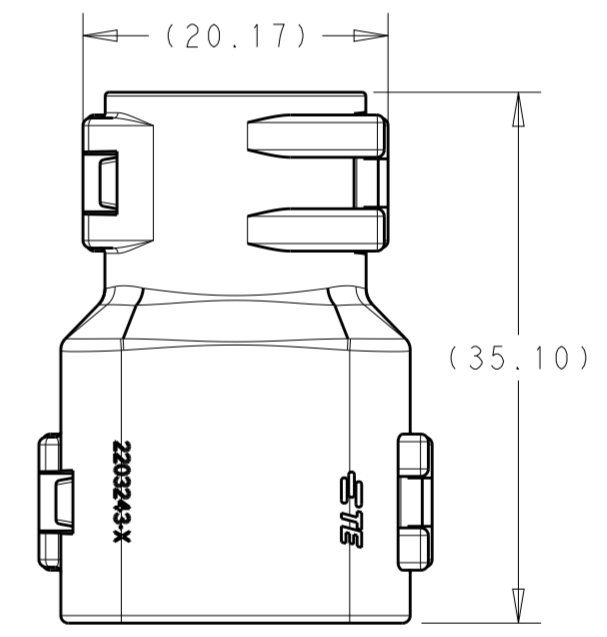
- 1 MATERIAL: NYLON MOLDING COMPOUND, BLACK, PA66/6.
- 2 BACKSHELL DESIGNED SUCH THAT TWO HALVES ATTACH TO ONE ANOTHER AND CLAMP AROUND THE CONNECTOR COVER.
- 3 DIMENSIONS TO BE MEASURED WHEN BACKSHELLS ASSEMBLED.
- 4 PRODUCT WEIGHTS:
2292797-1: 3.55g ASSEMBLED
2292797-2: 4.70g ASSEMBLED
2292797-3: 5.20g ASSEMBLED
- 5 4mm WIDE SLOTS FOR TIE WRAP TO SECURE HARNESS WIRES (-1 ONLY).
- 6 HEAT SHRINK TUBING RETENTION FEATURE (-1 ONLY).
- 7. INSTRUCTION SHEET: 408-151043.
- 8. CONDUIT PROFILE: NORMAL ONLY.



2292797-2
ASSEMBLED ISOMETRIC VIEW SHOWN

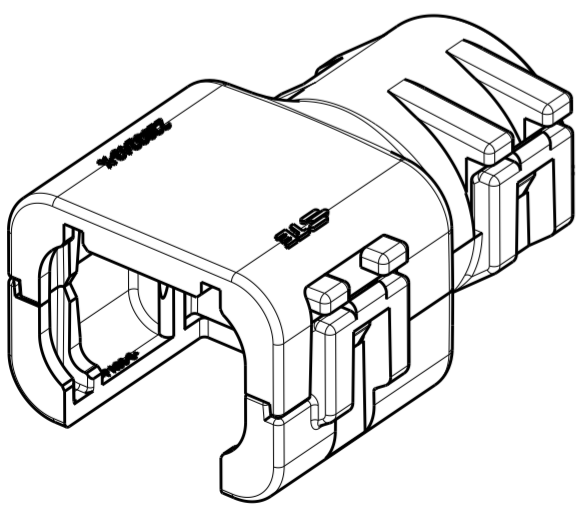


2292797-2
EXPLODED ISOMETRIC VIEW SHOWN

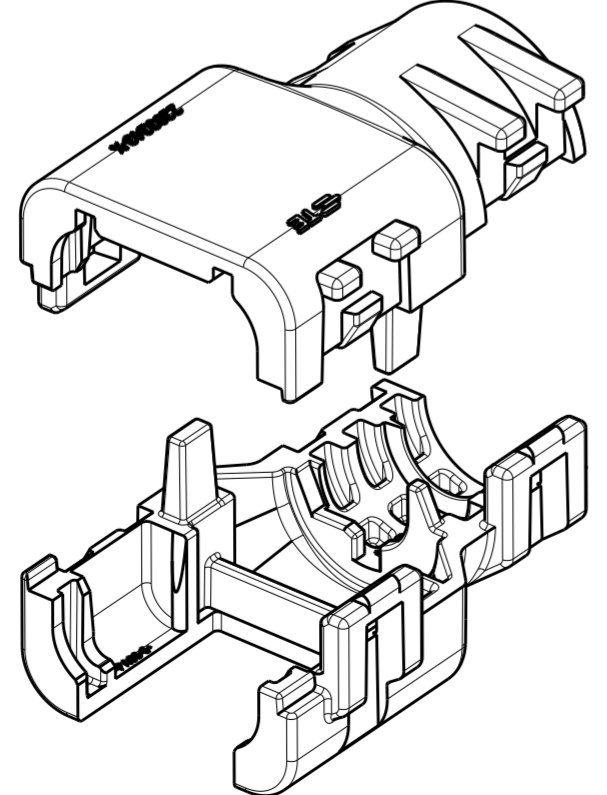


2292797-2
ASSEMBLED VIEW SHOWN

DIMENSIONS SHOWN TYPICAL FOR -2 AND -3 ONLY



2292797-3
ASSEMBLED ISOMETRIC VIEW SHOWN



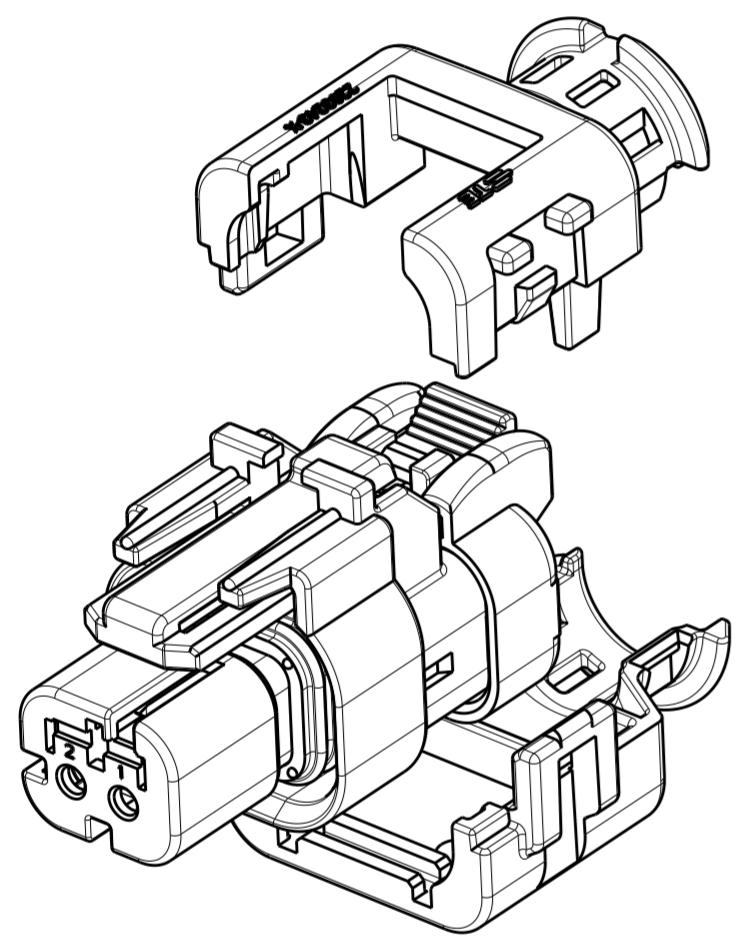
2292797-3
EXPLODED ISOMETRIC VIEW SHOWN

776427-X	NC08	NW7.5	2292797-3
776522-X	NC12	NW10	2292797-2
	SMOOTH	SMOOTH	2292797-1
FITS ON PLUG ASSY	CORRUGATE NC	CORRUGATE NW	PART NUMBER
	CONDUIT SIZE		

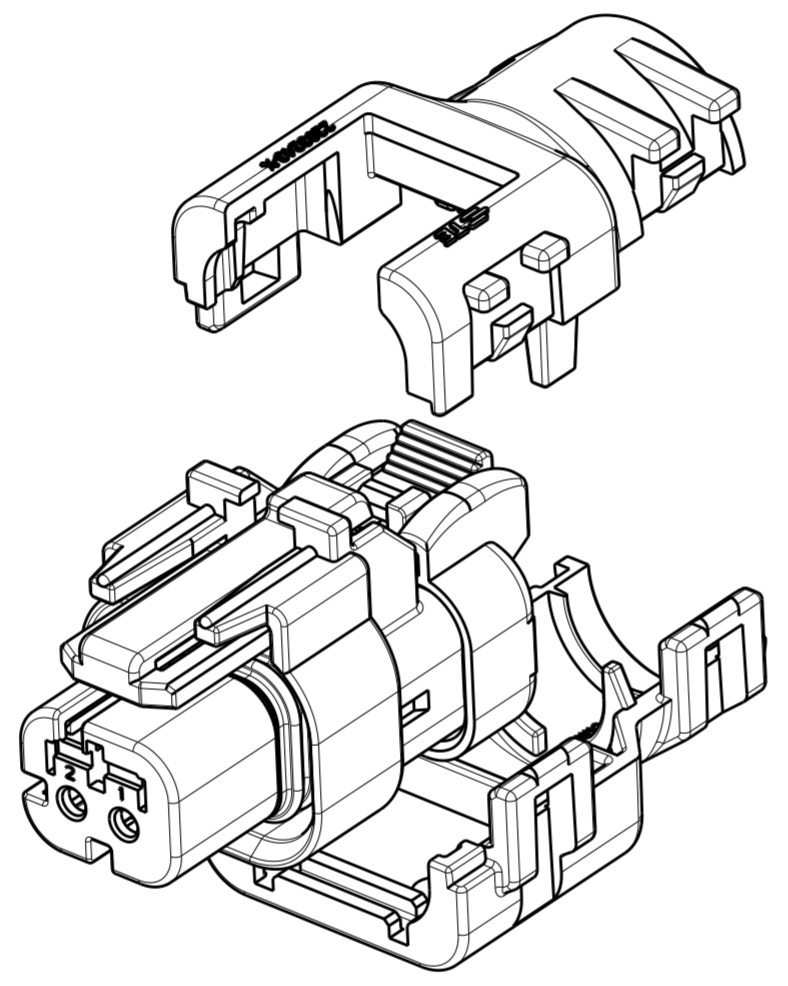
THIS DRAWING IS A CONTROLLED DOCUMENT.		DWN J MCNEAL 07MAY2015	TE Connectivity	
		CHK R BALTER 07MAY2015		
		APVD R BALTER 07MAY2015	NAME PLUG ASSEMBLY, BACKSHELL KIT, 2 POSITION, AMPSEAL 16	
DIMENSIONS: mm		PRODUCT SPEC 108-151043	RESTRICTED TO	
TOLERANCES UNLESS OTHERWISE SPECIFIED:		APPLICATION SPEC -	SIZE A2	CAGE CODE 00779
0 PLC ±		WEIGHT 4	DRAWING NO C-2292797	SCALE 2:1
1 PLC ±		CUSTOMER DRAWING	SHEET 1 OF 2	REV A2
2 PLC ±				
3 PLC ±				
4 PLC ±				
ANGLES ±				
FINISH -				

THIS DRAWING IS UNPUBLISHED. RELEASED FOR PUBLICATION 20
 © COPYRIGHT 20 BY - ALL RIGHTS RESERVED.

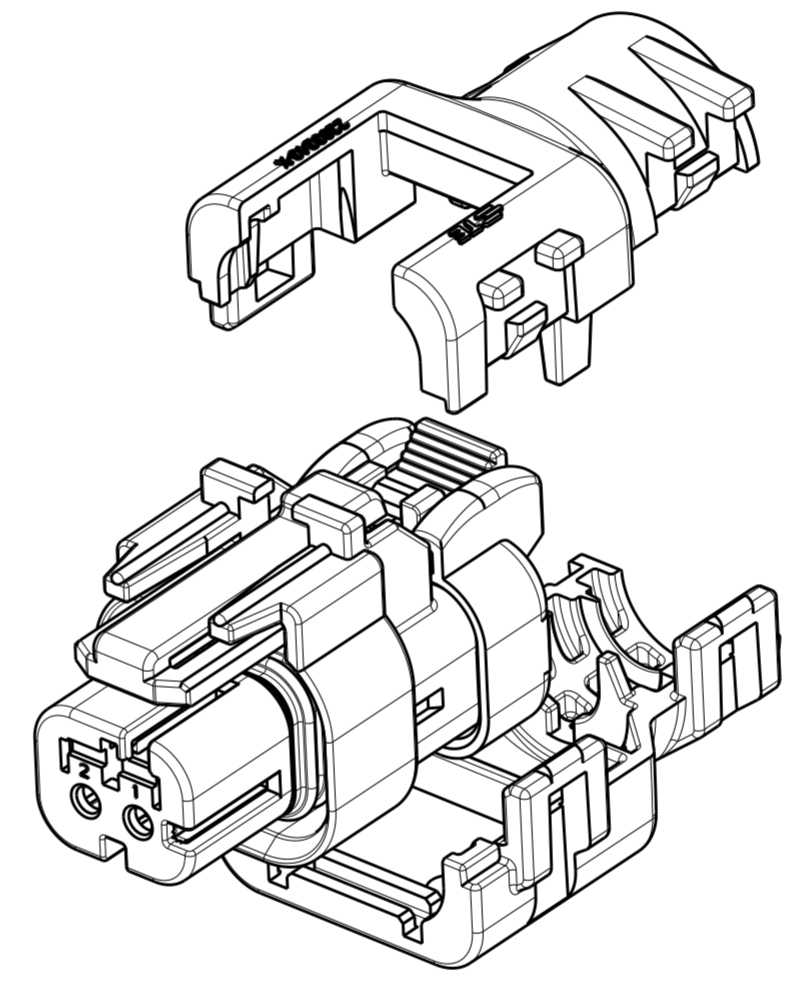
REVISIONS				
P	LTR	DESCRIPTION	DATE	APVD
-		SEE SHEET 1	-	-



2292797-1
WITH PLUG ASSEMBLY
EXPLODED ISOMETRIC VIEW SHOWN


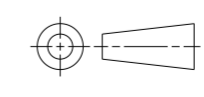


2292797-2
WITH PLUG ASSEMBLY
EXPLODED ISOMETRIC VIEW SHOWN



2292797-3
WITH PLUG ASSEMBLY
EXPLODED ISOMETRIC VIEW SHOWN



THIS DRAWING IS A CONTROLLED DOCUMENT.		DWN J. MCNEAL 07MAY2015	 TE Connectivity	
		CHK R. BALTER 07MAY2015		
		APVD R. BALTER 07MAY2015	NAME PLUG ASSEMBLY, BACKSHELL KIT, 2 POSITION, AMPSEAL 16	
DIMENSIONS: mm		PRODUCT SPEC 108-151043	SIZE	CAGE CODE
		APPLICATION SPEC -	DRAWING NO A200779C-2292797	
TOLERANCES UNLESS OTHERWISE SPECIFIED:		WEIGHT	RESTRICTED TO	
0 PLC	±	CUSTOMER DRAWING		
1 PLC	±	SCALE	SHEET	REV
2 PLC	±	2:1	2 OF 2	A2
3 PLC	±			
4 PLC	±			
ANGLES	±			
FINISH	-			

单击下面可查看定价，库存，交付和生命周期等信息

[>>TE Connectivity\(泰科\)](#)