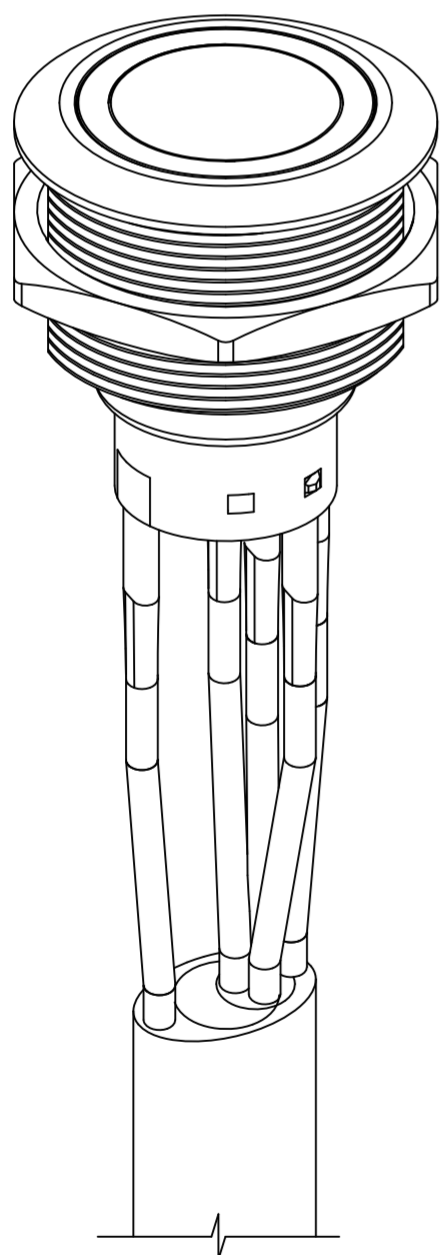
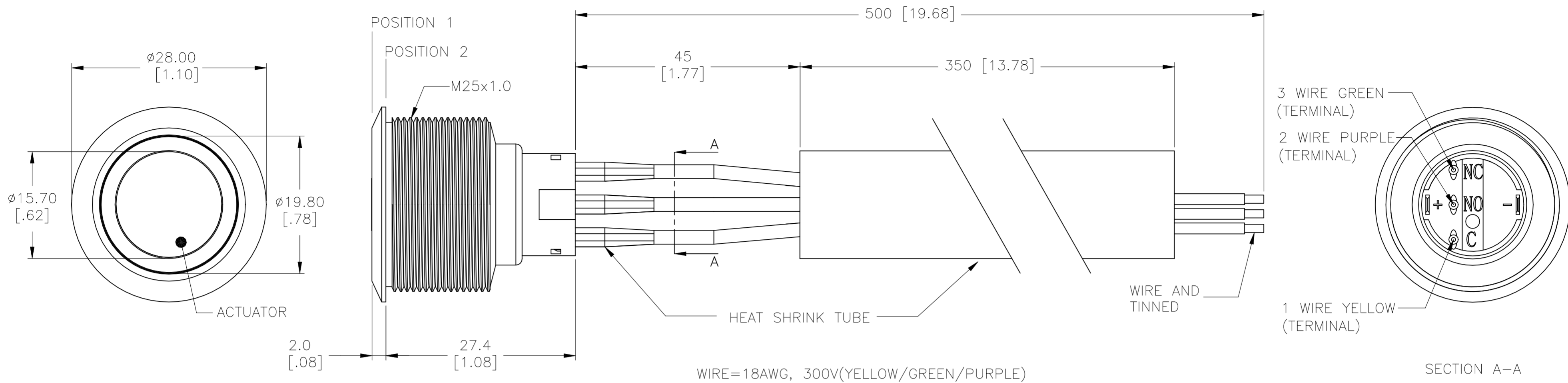


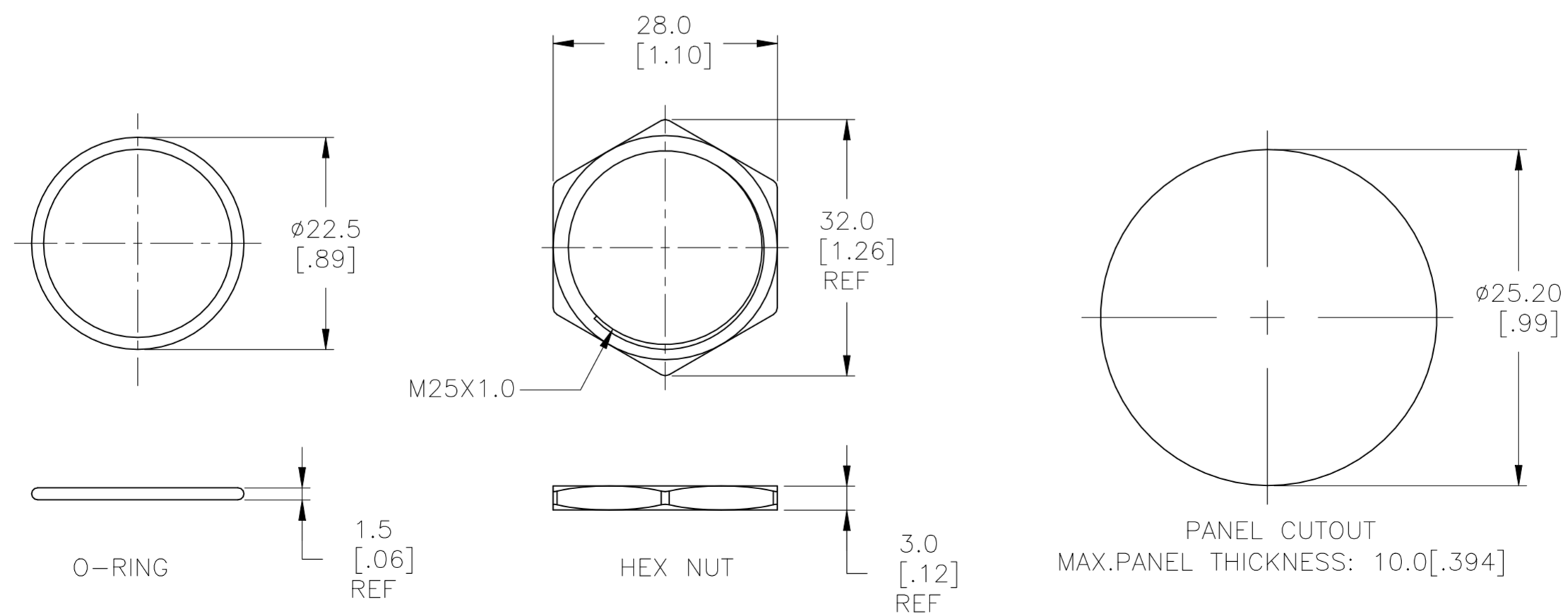
THIS DRAWING IS UNPUBLISHED. RELEASED FOR PUBLICATION
 © COPYRIGHT - By - ALL RIGHTS RESERVED.

| REVISIONS | | | | | |
|-----------|-----|---------------|-----------|-----|------|
| P | LTR | DESCRIPTION | DATE | DWN | APVD |
| A1 | | ECO-21-006709 | 18JUN2021 | RK | AS |

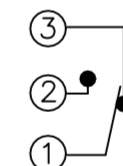
SINGLE POLE SWITCH WITH NO LED AND WITH FLYING LEADS



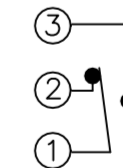
ASSEMBLED VIEW



POSITION 1



POSITION 2

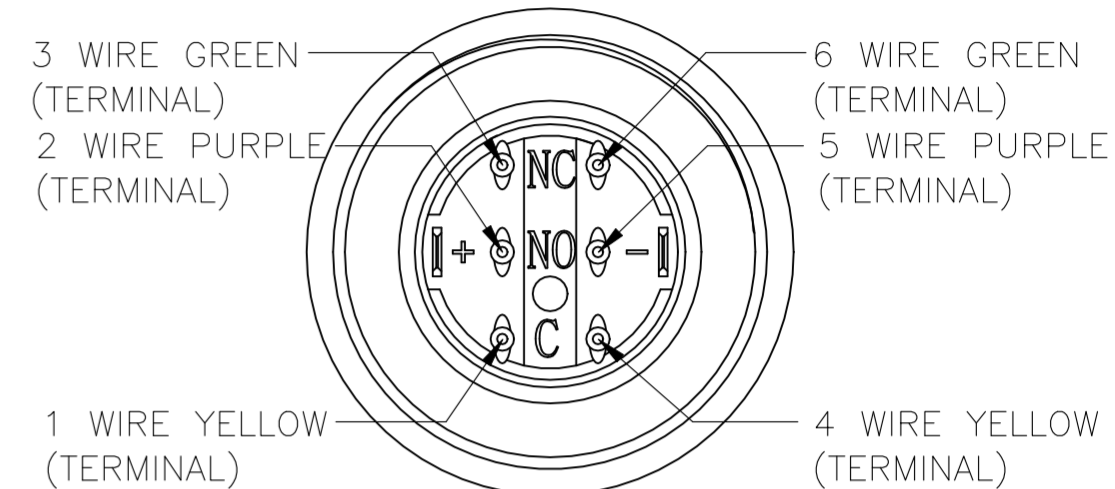
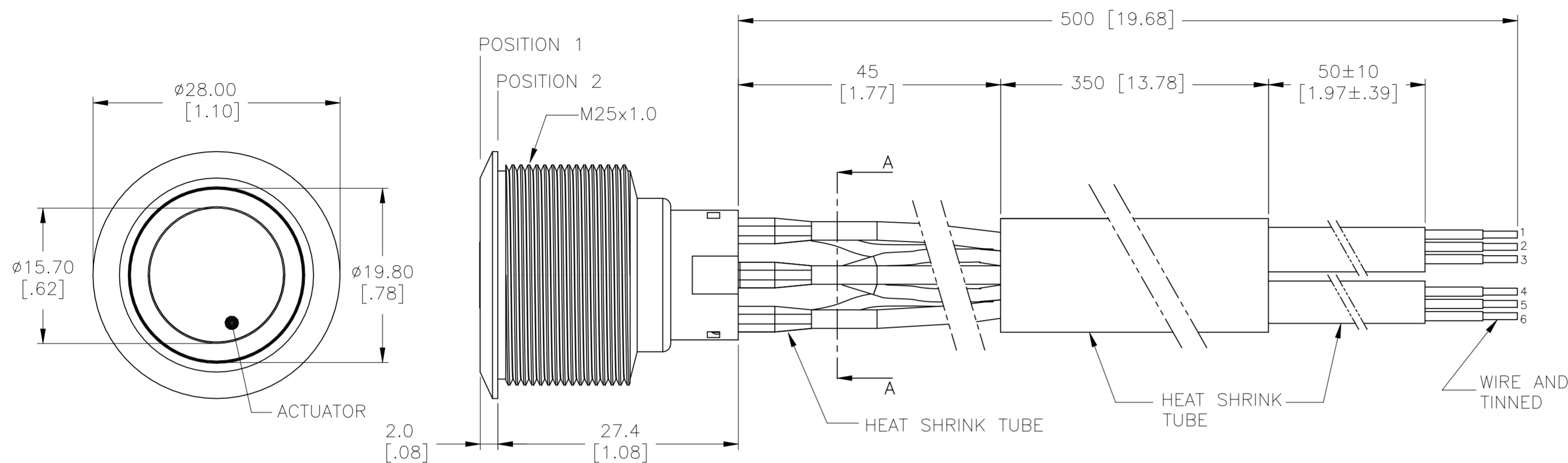


| | | | | | | | | | | | | | | | | | | | | | | |
|--|---|---------------------------------------|---|-------------------------|-------|---|-----------|-------|---|------------|-------|---|---|-------|---|---|--------|---|----|-------------------|------------|--------------------|
| THIS DRAWING IS A CONTROLLED DOCUMENT. | | DWN SHIVAKUMAR S S 16MAR2017 | | | | | | | | | | | | | | | | | | | | |
| DIMENSIONS: mm [INCHES] | | CHK SANJAY SHINDIKAR 16MAR2017 | | | | | | | | | | | | | | | | | | | | |
| TOLERANCES UNLESS OTHERWISE SPECIFIED: | | APVD SANJAY SHINDIKAR 16MAR2017 | NAME ANTI-VANDAL SWITCH 25mm, NO LED AND FLYING LEADS | | | | | | | | | | | | | | | | | | | |
| <table border="1"> <tr><td>0 PLC</td><td>±</td><td>-</td></tr> <tr><td>1 PLC</td><td>±</td><td>0.4[.016]</td></tr> <tr><td>2 PLC</td><td>±</td><td>0.25[.010]</td></tr> <tr><td>3 PLC</td><td>±</td><td>-</td></tr> <tr><td>4 PLC</td><td>±</td><td>-</td></tr> <tr><td>ANGLES</td><td>±</td><td>2°</td></tr> </table> | | 0 PLC | ± | - | 1 PLC | ± | 0.4[.016] | 2 PLC | ± | 0.25[.010] | 3 PLC | ± | - | 4 PLC | ± | - | ANGLES | ± | 2° | PRODUCT SPEC - | SIZE A2 | CAGE CODE 00779 |
| 0 PLC | ± | - | | | | | | | | | | | | | | | | | | | | |
| 1 PLC | ± | 0.4[.016] | | | | | | | | | | | | | | | | | | | | |
| 2 PLC | ± | 0.25[.010] | | | | | | | | | | | | | | | | | | | | |
| 3 PLC | ± | - | | | | | | | | | | | | | | | | | | | | |
| 4 PLC | ± | - | | | | | | | | | | | | | | | | | | | | |
| ANGLES | ± | 2° | | | | | | | | | | | | | | | | | | | | |
| MATERIAL - | | FINISH - | WEIGHT - | DRAWING NO C=2317655 | | | | | | | | | | | | | | | | | | |
| CUSTOMER DRAWING | | | SCALE 1:1 | SHEET 1 OF 3 | | | | | | | | | | | | | | | | | | |
| | | | REV A1 | RESTRICTED TO - | | | | | | | | | | | | | | | | | | |

THIS DRAWING IS UNPUBLISHED. RELEASED FOR PUBLICATION
 © COPYRIGHT - By - ALL RIGHTS RESERVED.

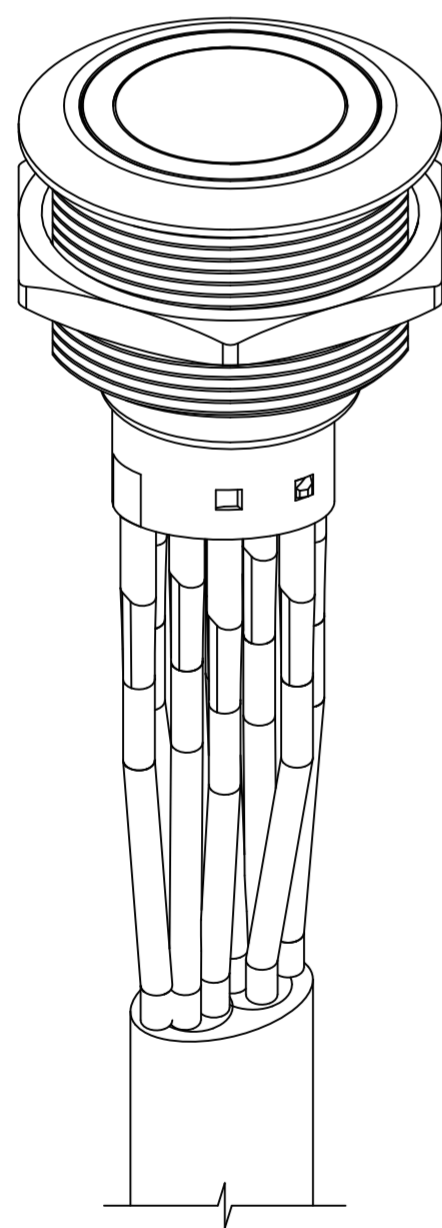
| REVISIONS | | | | | |
|-----------|-----|-------------|------|-----|------|
| P | LTR | DESCRIPTION | DATE | DWN | APVD |
| - | - | SEE SHEET 1 | - | - | - |

DOUBLE POLE SWITCH WITH NO LED AND WITH FLYING LEADS

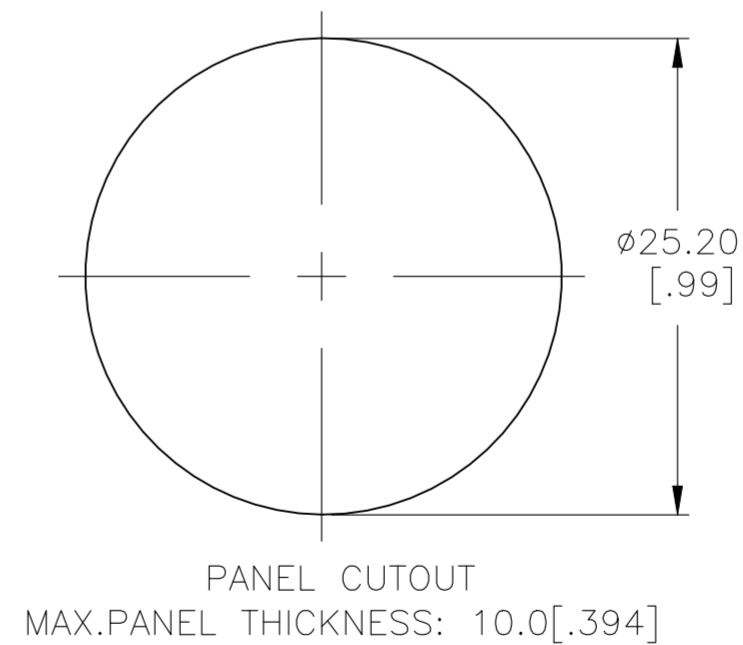
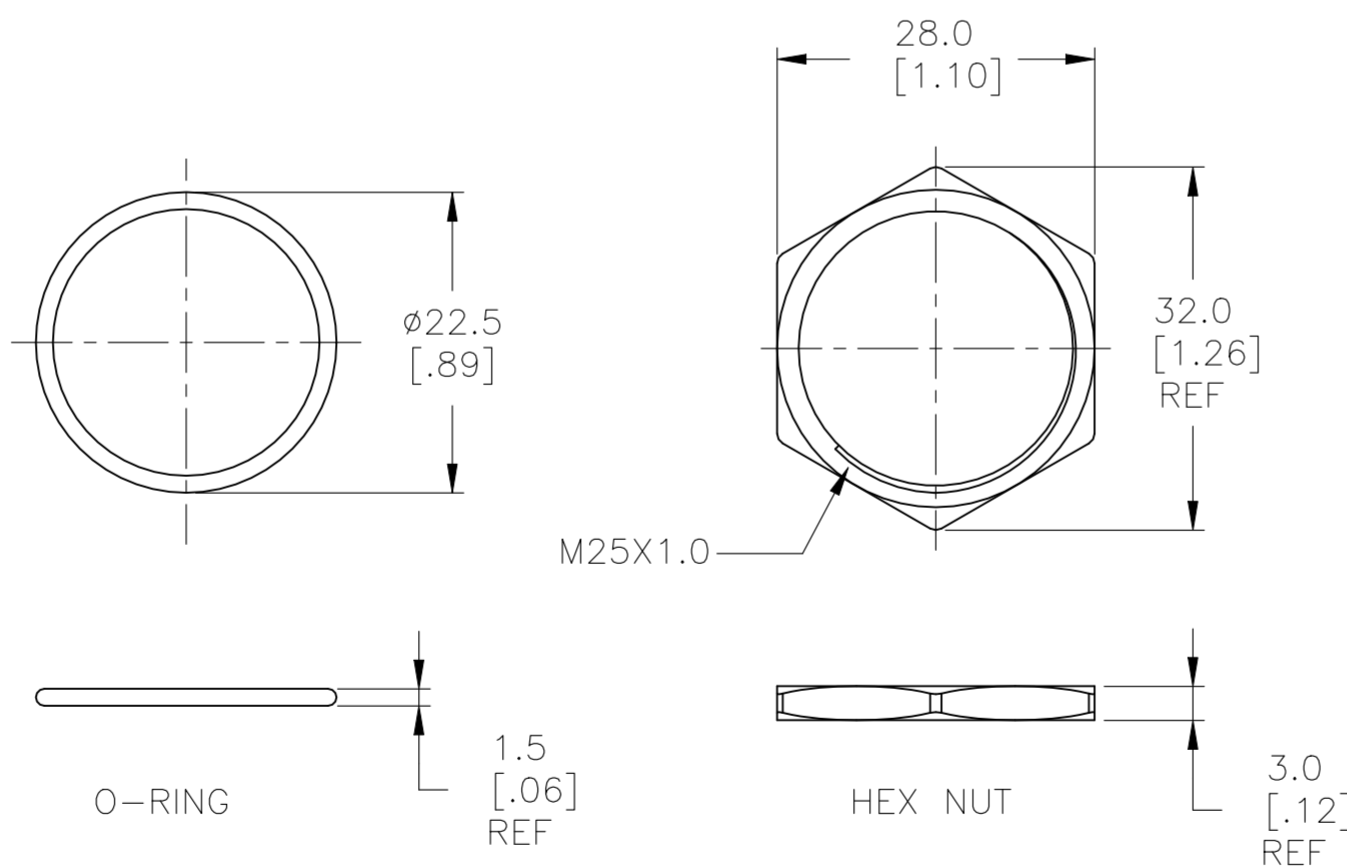


SECTION A-A

WIRE=18AWG, 300V(YELLOW/GREEN/PURPLE)

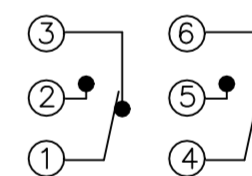


ASSEMBLED VIEW

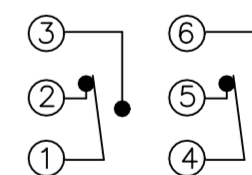


PANEL CUTOUT
MAX.PANEL THICKNESS: 10.0[.394]

POSITION 1



POSITION 2



| | | | | | | | |
|--|--|--------------------------|-----------|--------------|--------------|-----------------|---------------|
| THIS DRAWING IS A CONTROLLED DOCUMENT. | | DWN SHIVAKUMAR S S | 16MAR2017 | | | TE Connectivity | |
| DIMENSIONS: mm [INCHES] | | CHK SANJAY SHINDIKAR | 16MAR2017 | | | NAME | |
| TOLERANCES UNLESS OTHERWISE SPECIFIED: | | APVD SANJAY SHINDIKAR | 16MAR2017 | | PRODUCT SPEC | | |
| 0 PLC ± - | | APPLICATION SPEC | | SIZE | | | RESTRICTED TO |
| 1 PLC ± 0.4[.016] | | WEIGHT | | CAGE CODE | | DRAWING NO | |
| 2 PLC ± 0.25[.010] | | 0 | | A2 00779 | | C=2317655 | |
| 3 PLC ± - | | CUSTOMER DRAWING | | SCALE | | SHEET | |
| 4 PLC ± - | | SCALE 1:1 | | SHEET 2 OF 3 | | REV A1 | |
| ANGLES ± 2° | | | | | | | |
| FINISH | | | | | | | |

THIS DRAWING IS UNPUBLISHED. RELEASED FOR PUBLICATION
 © COPYRIGHT - By - ALL RIGHTS RESERVED.

| REVISIONS | | | | | |
|-----------|-----|-------------|------|-----|------|
| P | LTR | DESCRIPTION | DATE | DWN | APVD |
| - | - | SEE SHEET 1 | - | - | - |

SPECIFICATION:

CONTACT RATING: SILVER; 3A @ 250VAC RESISTIVE
 GOLD; 0.4A @ 20VDC OR PEAK AC
 INSULATION RESISTANCE: 1,000MΩ MIN AT 500VDC
 DIELECTRIC STRENGTH: 2,000V RMS @ SEA LEVEL
 CONTACT RESISTANCE: 50mΩ MAX @ 1A 12VDC (INITIAL VALUE), SOLDER TERMINALS
 100mΩ MAX @ 1A 12VDC(INITIAL VALUES), FLYING LEADS.
 ELECTRICAL LIFE CYCLES: 50,000 MAKE AND BREAK CYCLES AT FULL LOAD.
 ACTUATION FORCE: SP: 2.5±1 N. DP: 3.5±1 N
 ACTUATION TRAVEL: APPROXIMATELY 3.2mm
 SEALED PER IP67, IK08
 OPERATING TEMPERATURE: -20°C TO +55°C
 MECHANICAL LIFECYCLES: MOMENTARY; 1,000,000 CYCLES
 LOCKING; 500,000 CYCLES
 HARDWARE TORQUE: 5-14 N-m.

MATERIALS

BUSHING: STAINLESS STEEL,
 BASE: PBT (UL 94-V0), PC (UL 94-V2),
 ACTUATOR: STAINLESS STEEL, PC
 O-RING: SILICONE,
 TERMINAL/CONTACT: COPPER BASE, SILVER/GOLD PLATED,
 HEX NUT: BRASS BASE, NICKEL PLATED,
 WIRE:UL3385.
 INNER ASSEMBLY: POM/PA66
 SPRING: SPRING STEEL
 SEALING: SILICONE

- ALL MATERIAL AND FINISHES SHALL COMPLY WITH EU DIRECTIVE 2002/95/EC OF 27JAN2003(ROHS).

| | | | | | | |
|----------------|------------------------|--------------------------|-----------|-------------|----------------------------|----------------|
| SILVER | FLYING LEADS TERMINALS | DOUBLE POLE -- LOCKING | - | - | AV2521000T5Q04 | 2317655-4 |
| | | DOUBLE POLE -- MOMENTARY | - | - | AV2520000T5Q04 | 2317655-3 |
| | | SINGLE POLE -- LOCKING | - | - | AV2511000T5Q04 | 2317655-2 |
| | | SINGLE POLE -- MOMENTARY | - | - | AV2510000T5Q04 | 2317655-1 |
| CONTACT FINISH | TERMINAL OPTION | POLE/THROW | LED COLOR | LED VOLTAGE | TE DESCRIPTIVE PART NUMBER | TE PART NUMBER |

| | | | | | | |
|---|--|------------------------------------|---|--------------------|-------------------------|--------------------|
| THIS DRAWING IS A CONTROLLED DOCUMENT. | | DWN 16MAR2017 SHIVAKUMAR S S | STE TE Connectivity | | | |
| DIMENSIONS: mm [INCHES] | | CHK 16MAR2017 SANJAY SHINDIKAR | | | | |
| TOLERANCES UNLESS OTHERWISE SPECIFIED: | | APVD 16MAR2017 SANJAY SHINDIKAR | NAME ANTI-VANDAL SWITCH 25mm, NO LED AND FLYING LEADS | | | |
| 0 PLC ± - 1 PLC ± 0.4[.016] 2 PLC ± 0.25[.010] 3 PLC ± - 4 PLC ± - ANGLES ± 2° | | PRODUCT SPEC - | - | | | |
| MATERIAL | | APPLICATION SPEC - | SIZE A2 | CAGE CODE 00779 | DRAWING NO C=2317655 | RESTRICTED TO - |
| FINISH | | WEIGHT 0 | SCALE 1:1 | | SHEET 3 of 3 | REV A1 |
| CUSTOMER DRAWING | | | | | | |

单击下面可查看定价，库存，交付和生命周期等信息

[>>TE Connectivity\(泰科\)](#)