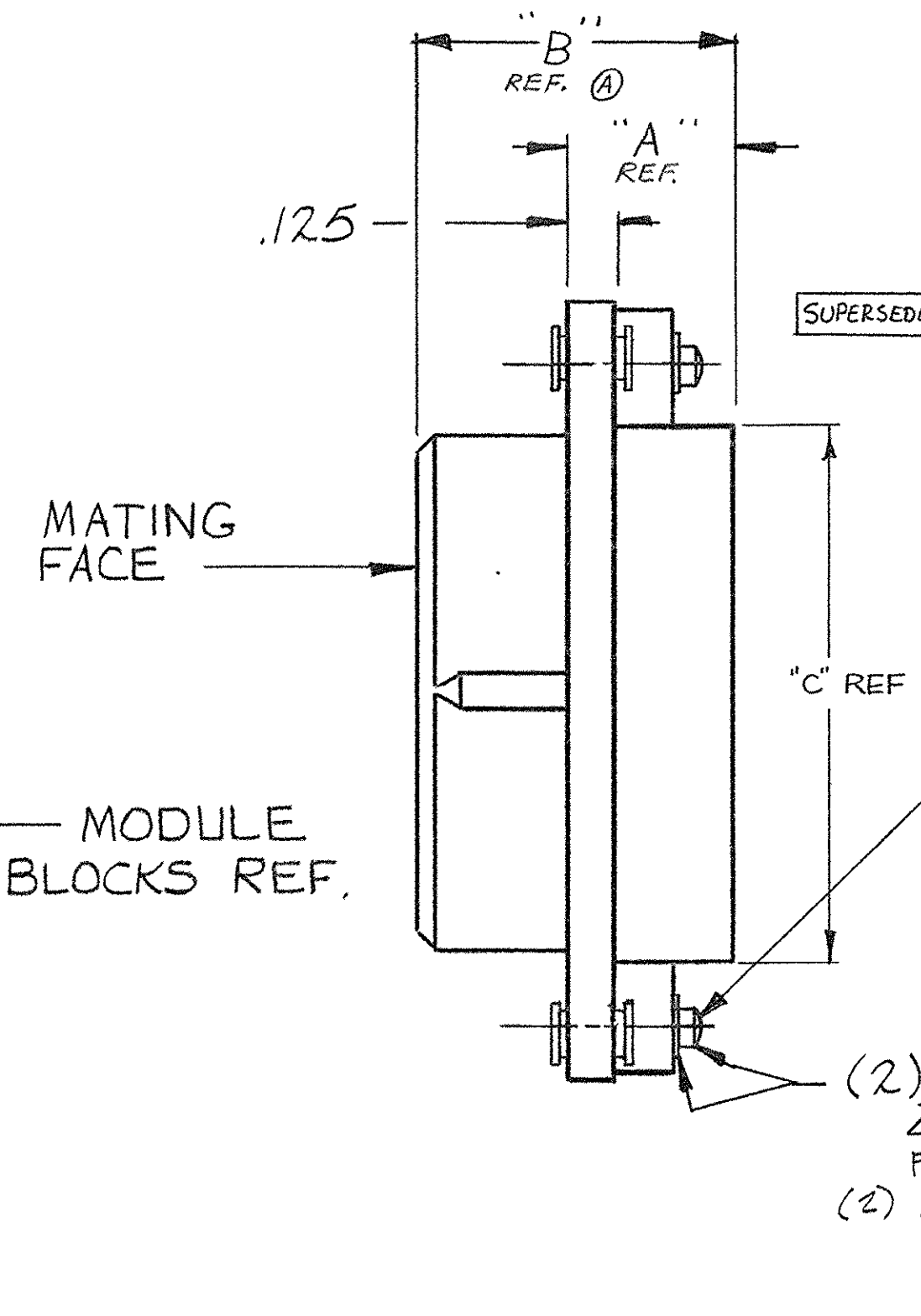
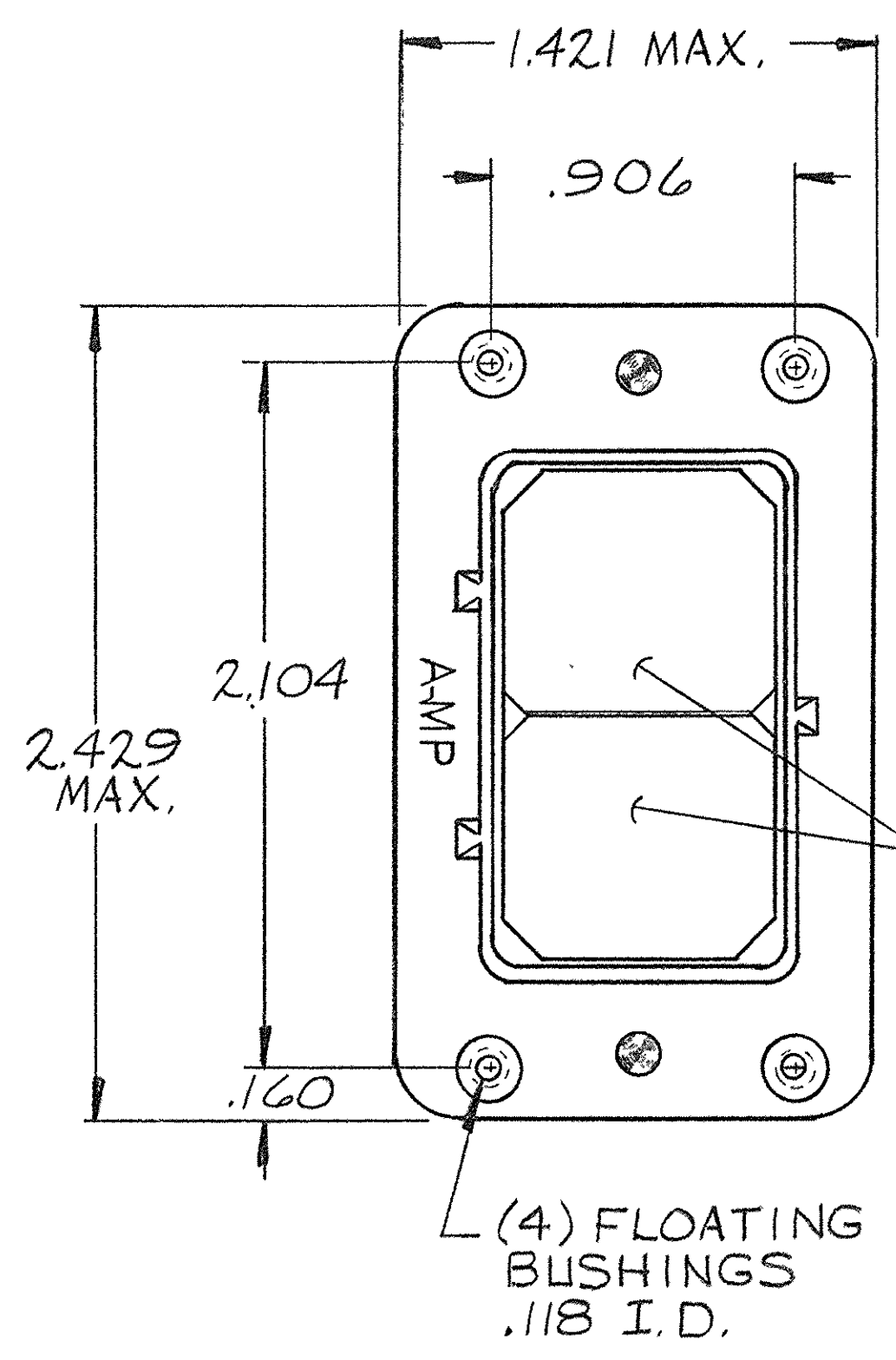
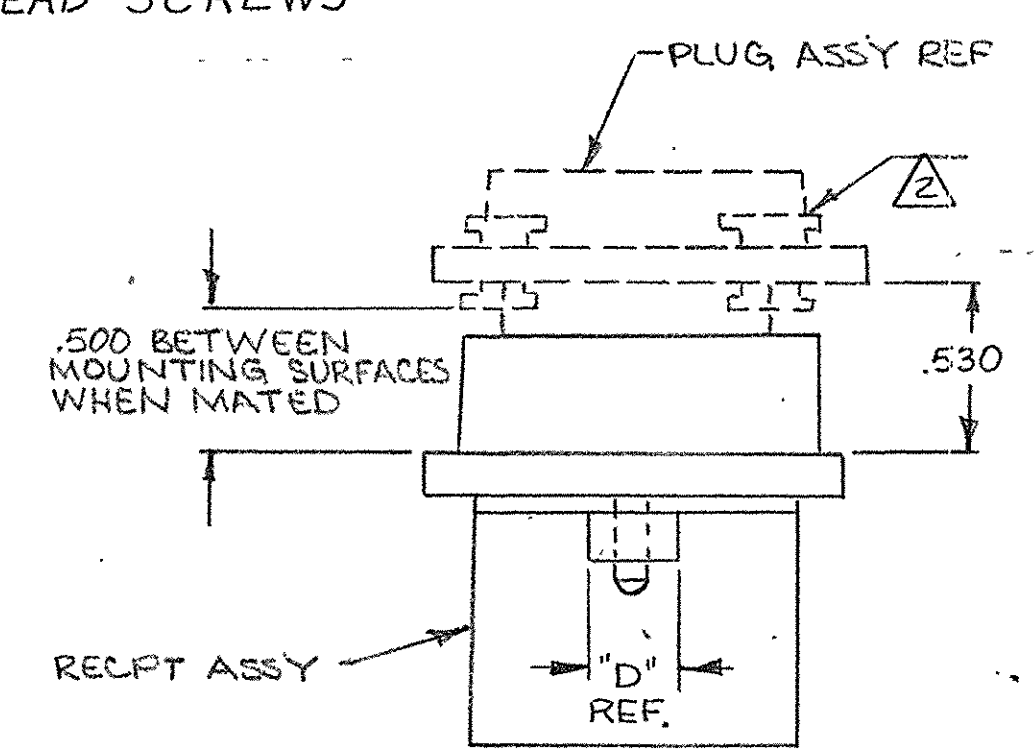


BY AMP INCORPORATED. ALL RIGHTS RESERVED. AMP PRODUCTS COVERED BY PATENTS AND/OR PATENTS PENDING. APPROVED PER GOVT CONTRACT NO.

REVISIONS				REVISIONS				
SYM	DESCRIPTION	DATE	APP	SYM	ZONE	DESCRIPTION	DATE	APPROVAL
K	REV PER ECO-05-005359	11-14-05	PY/DE	D		RELEASED WAS M5012-295	12-31-64	LAB B.S.H.
L	REV PER ECO 17-015725	CT	3-27-18	PD				
A				A		REVISED W-524 W-421	8-2-5	M.S. RM
B				B		REVISED W-777	10-14-5	M.S. D.H.
C				C		REV. PER D-644	10-6-75	DE
D				D		REV./ECN H-220	8-14-80	DE
E				E		REV PER ECN H-203	5-12-81	DE
F				F		REV PER ECN K-335	7-19-83	DE
G				G		REV. PER ECN R-764	8-27-84	RG
H				H		OBSOLETE -1 PER ECN R-2604	2-23-87	SDG
J				J		REV PER ECO-05-001412	05/05	AA



- 202680-1. OBSOLETE
- 202680-2. OBSOLETE
- 202680-3. 1. SAME AS -2 EXCEPT: 2. "A" AND "B" DIMENSIONS.
- 202680-4. OBSOLETE
- 5-202680-3. 1. SAME AS -3 EXCEPT: 2. PLATING



OBSOLETE	202680-4	.480	1.010	1.569	.126	△
SUPERSEDED BY 5-202680-3		.886	1.416	1.650	.150	△
OBSOLETE	202680-2	.480	1.010	1.650	.150	△
	202680-1	.480	1.010	1.650	.150	△

NOTE:  
 ① ZINC PLATE PER ASTM-B-633 TYPE II, CLASS 3 COLORLESS SUPPLEMENTARY CHROMATE  
 ② THE ALLOWABLE FLOAT IS .063 TO .075  
 ③ PLATING ELECTROLESS NICKEL PER SAE-AMS-C-26074 .000400 - .000300 THK (NO INTENTIONAL ADDITIONS OF LEAD OR CADMIUM PER DFE STD 230-700).

LOC	PRINT DIST	QTY	NOMENCLATURE OR	①	PART OR	A	B	C	D	FINISH
505	R39J	REQD	DESCRIPTION	②	IDENTIFYING NO					
UNLESS OTHERWISE SPECIFIED DIMENSIONS ARE IN INCHES TOLERANCES ON		SIGNATURE		DATE		AMP INCORPORATED HARRISBURG, PENNSYLVANIA				
FRACTIONS ±	DECIMALS ±	ANGLES ±	DR			TRADEMARK				
			K. Jones	4/18/64		PLUG ASSEMBLY MODULE				
MATERIAL			CHK							
DIE CAST ALUMINUM			S. Heide	1/8/65						
HEAT TREAT			DSGN ENGR							
FINISH			F. B. Miller	1-11-65		CODE IDENT NO		SIZE	NUMBER	REV
SEE NOTE 1			APPR	1/1/65		00779		C	202680	L
			DSGN APPD			SCALE		WT	CALC	ACTUAL
			OTHER APPD							SHEET

单击下面可查看定价，库存，交付和生命周期等信息

[>>TE Connectivity\(泰科\)](#)