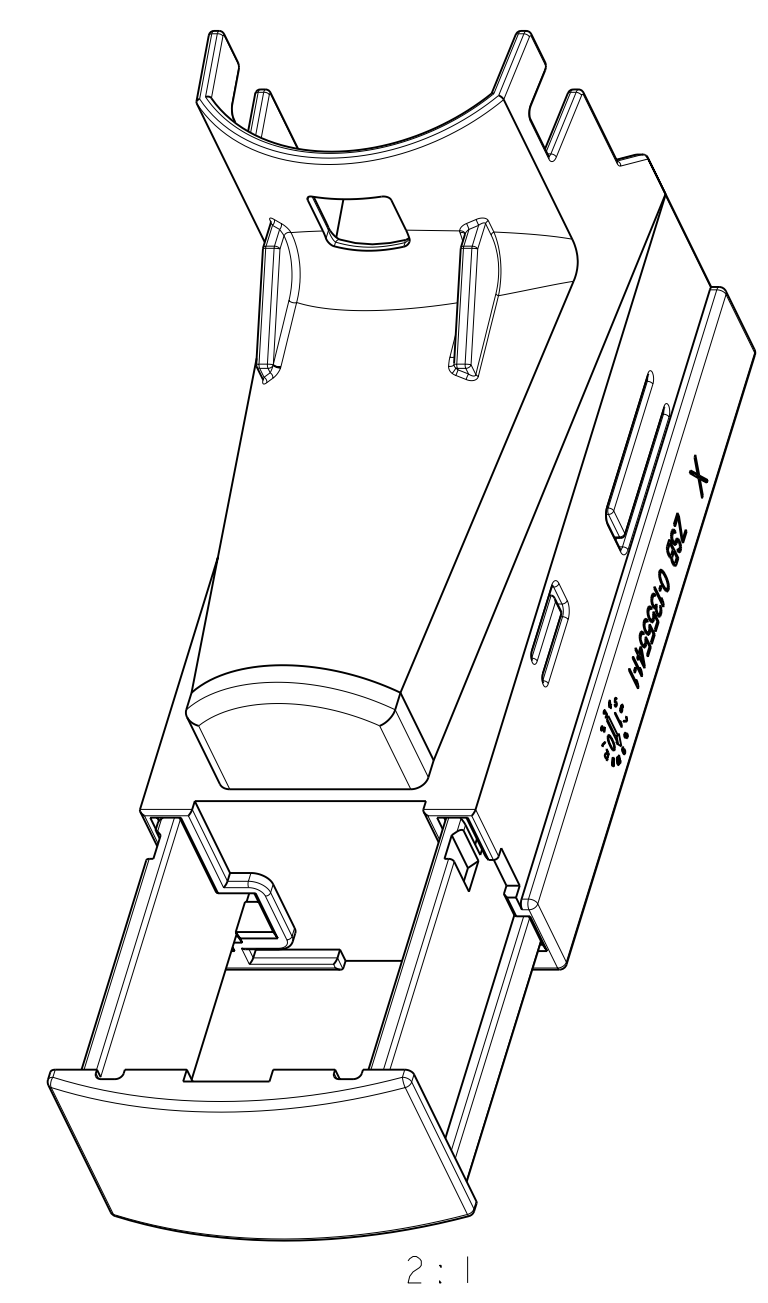
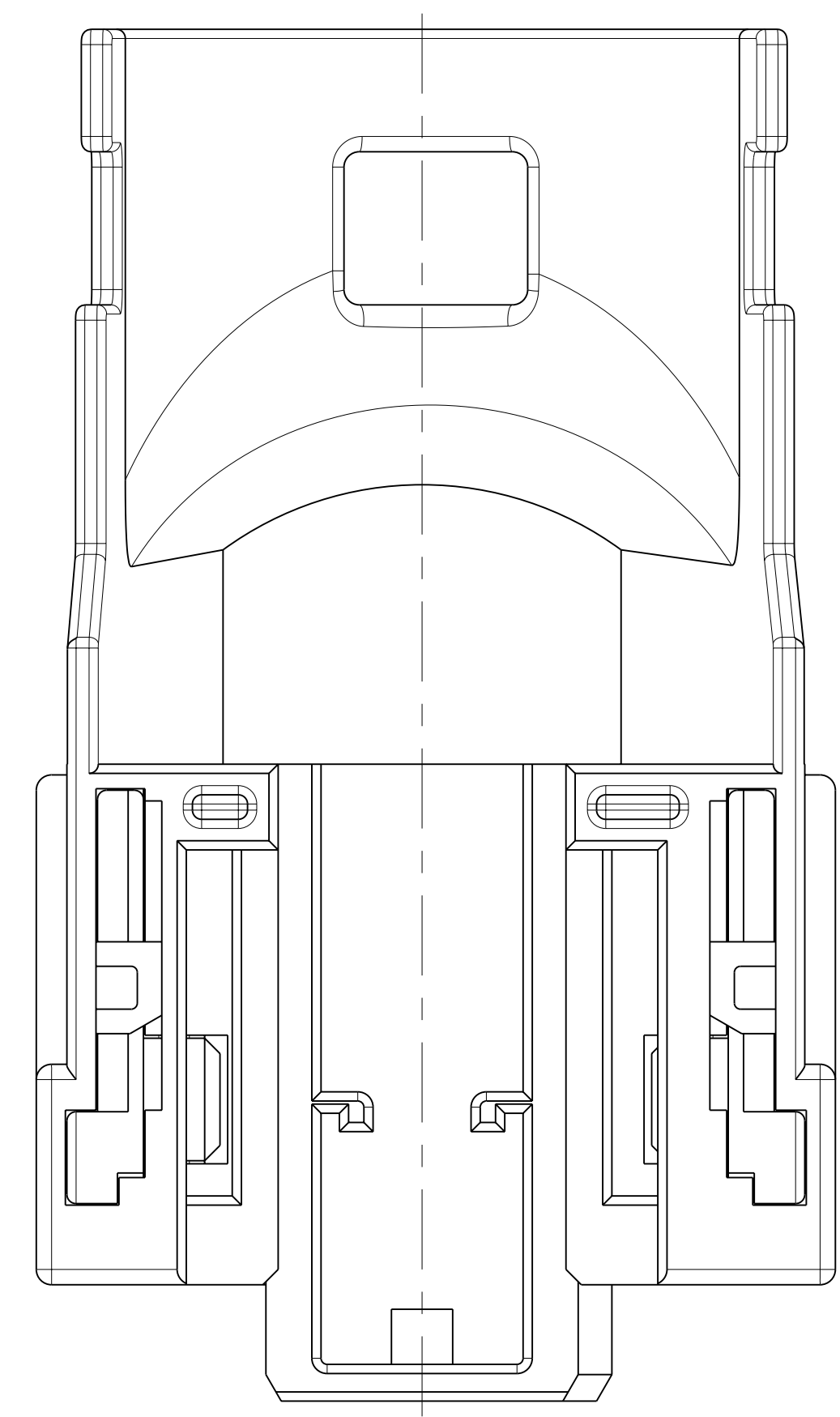
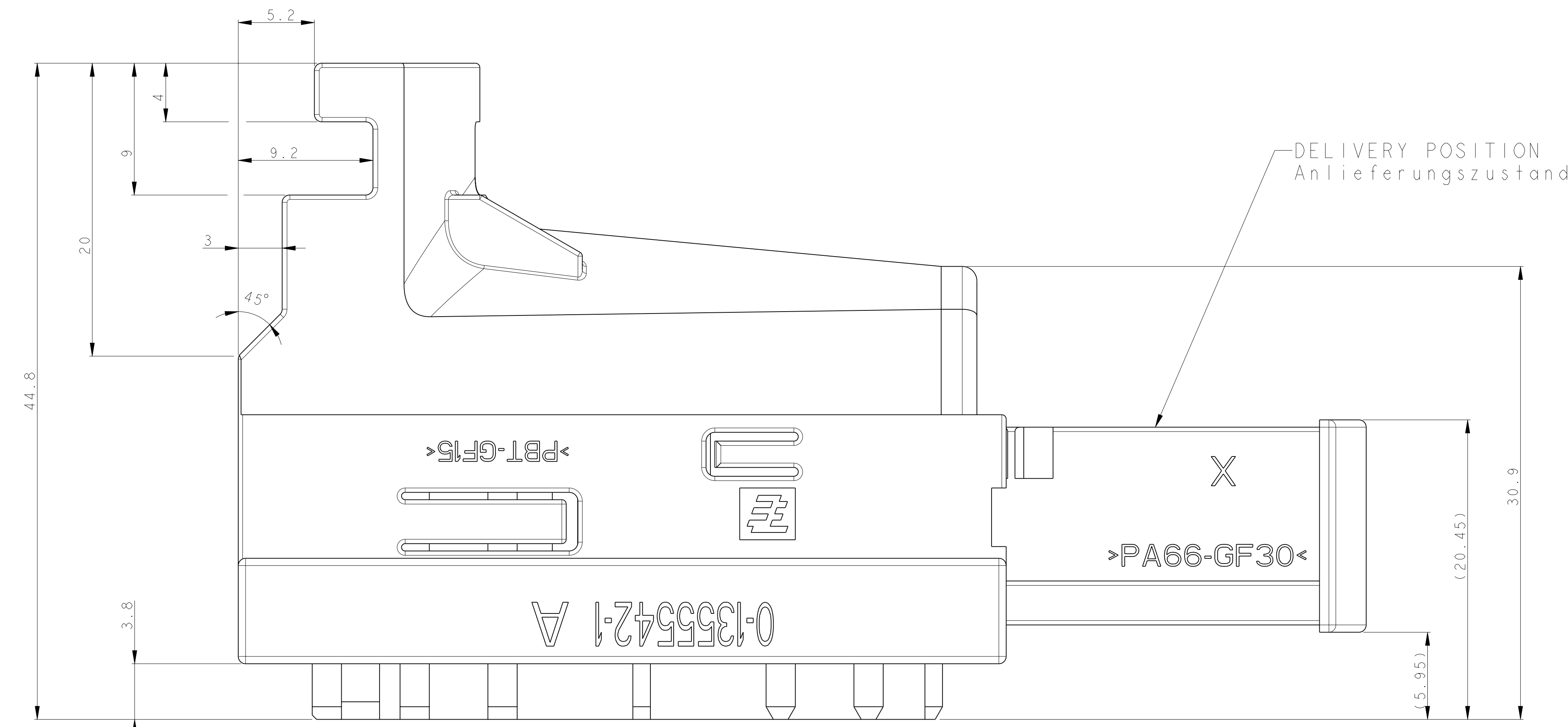
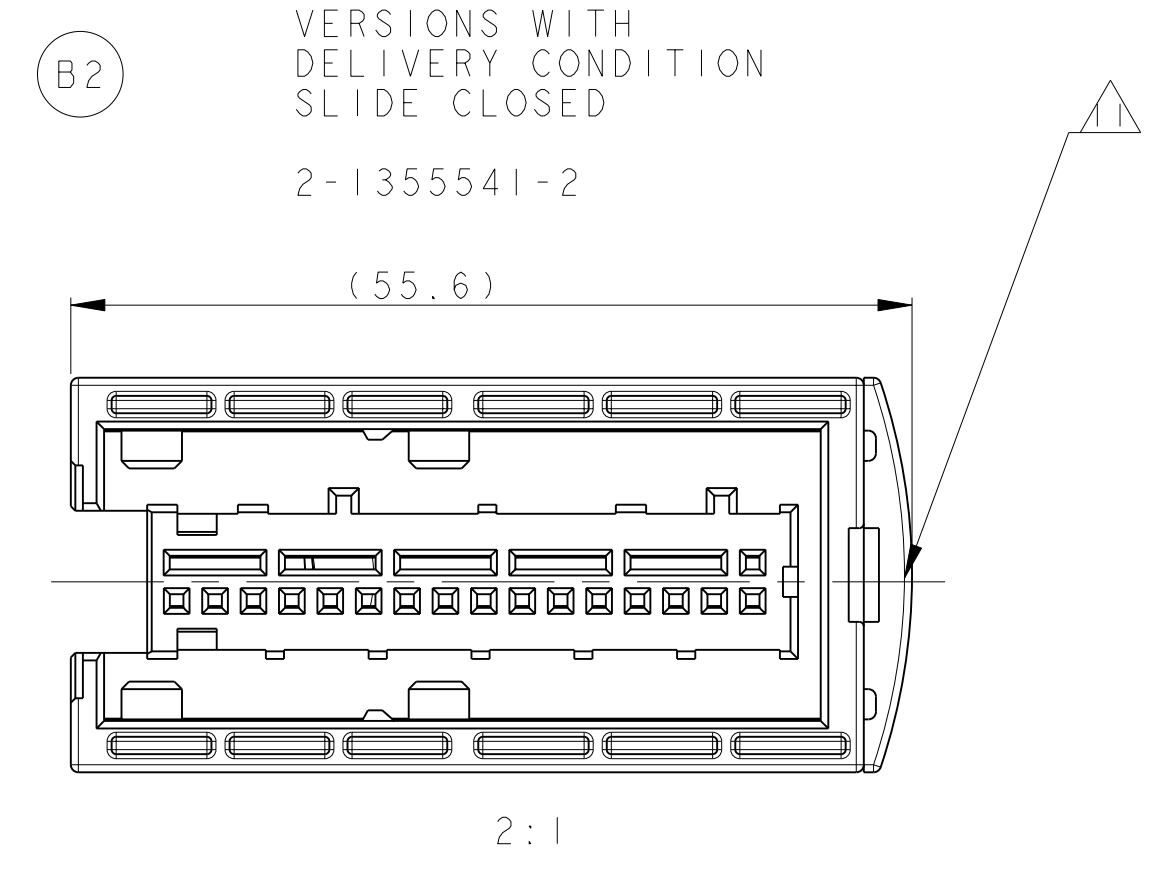
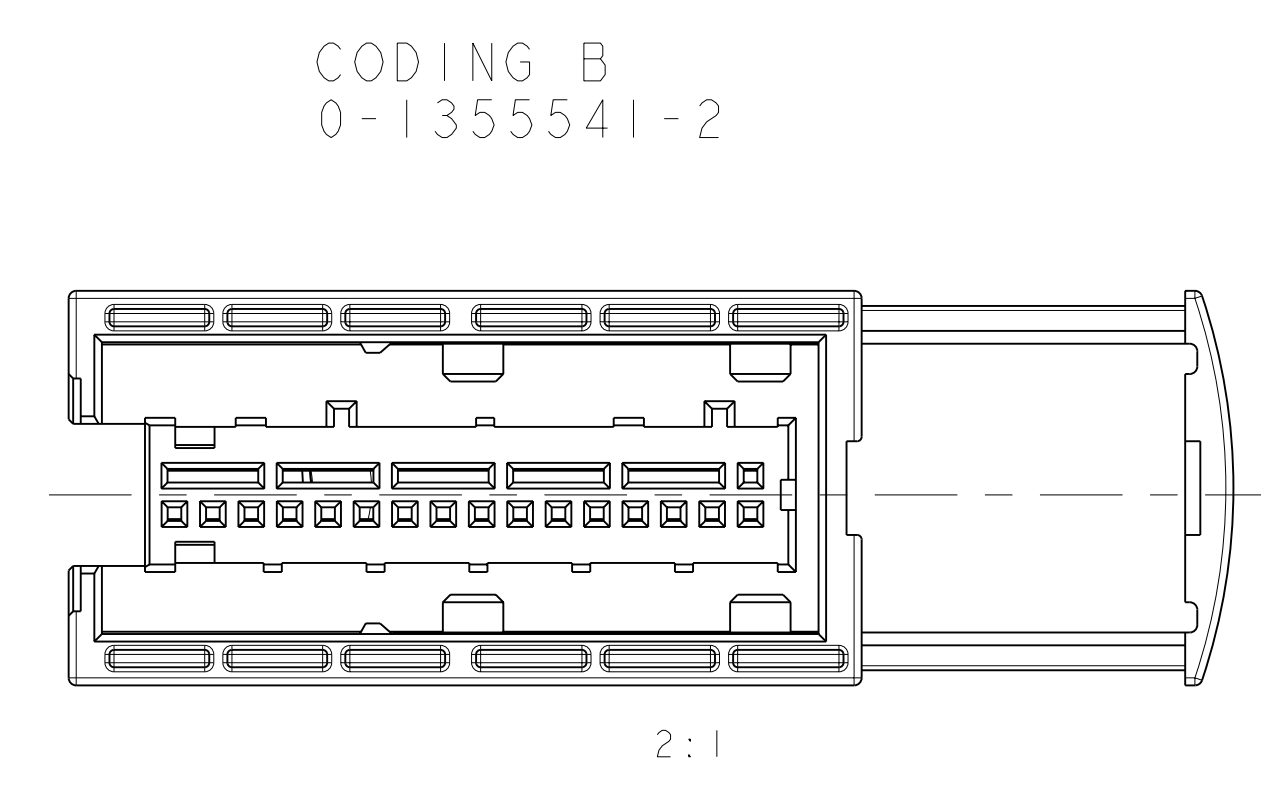
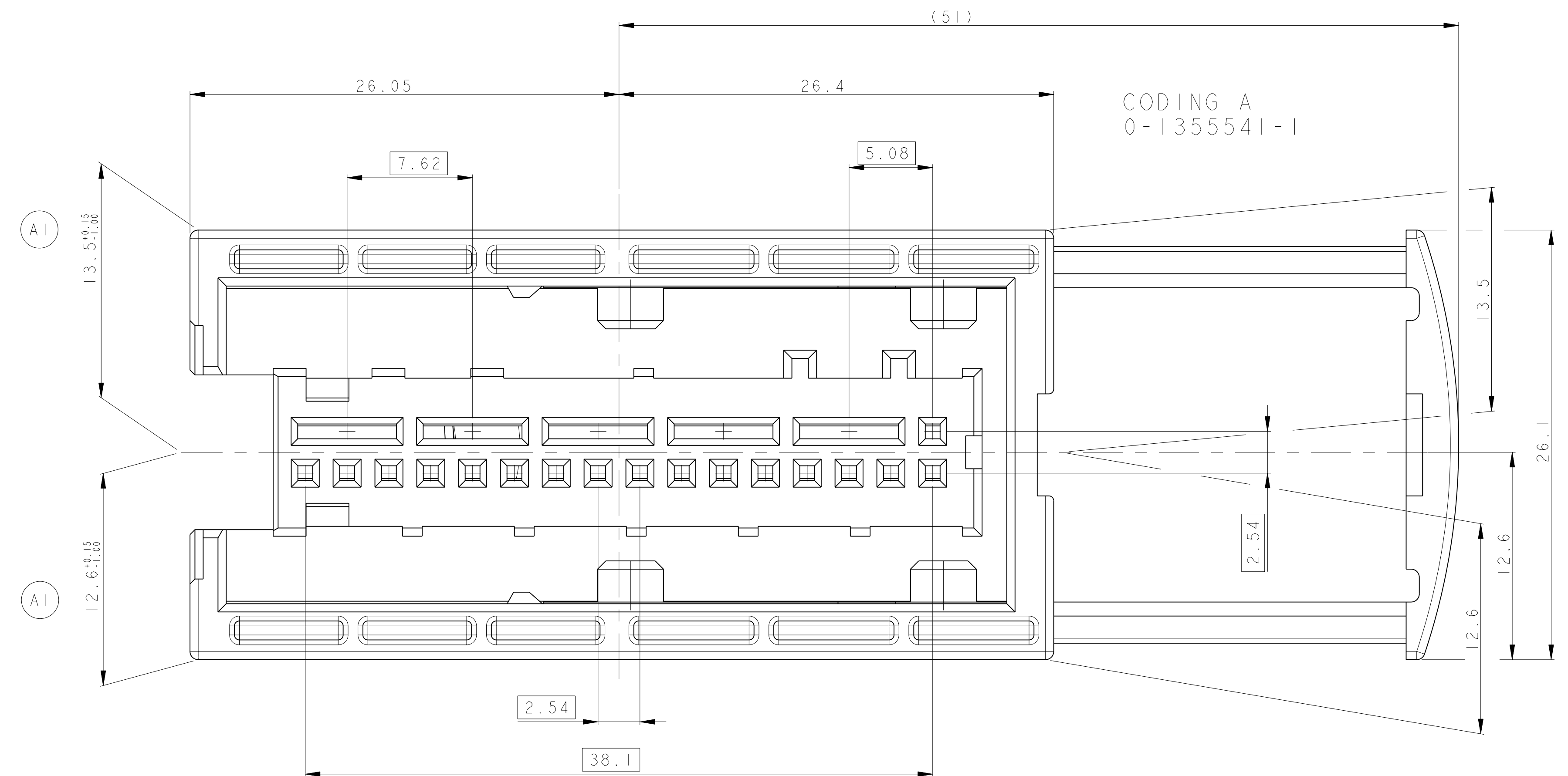
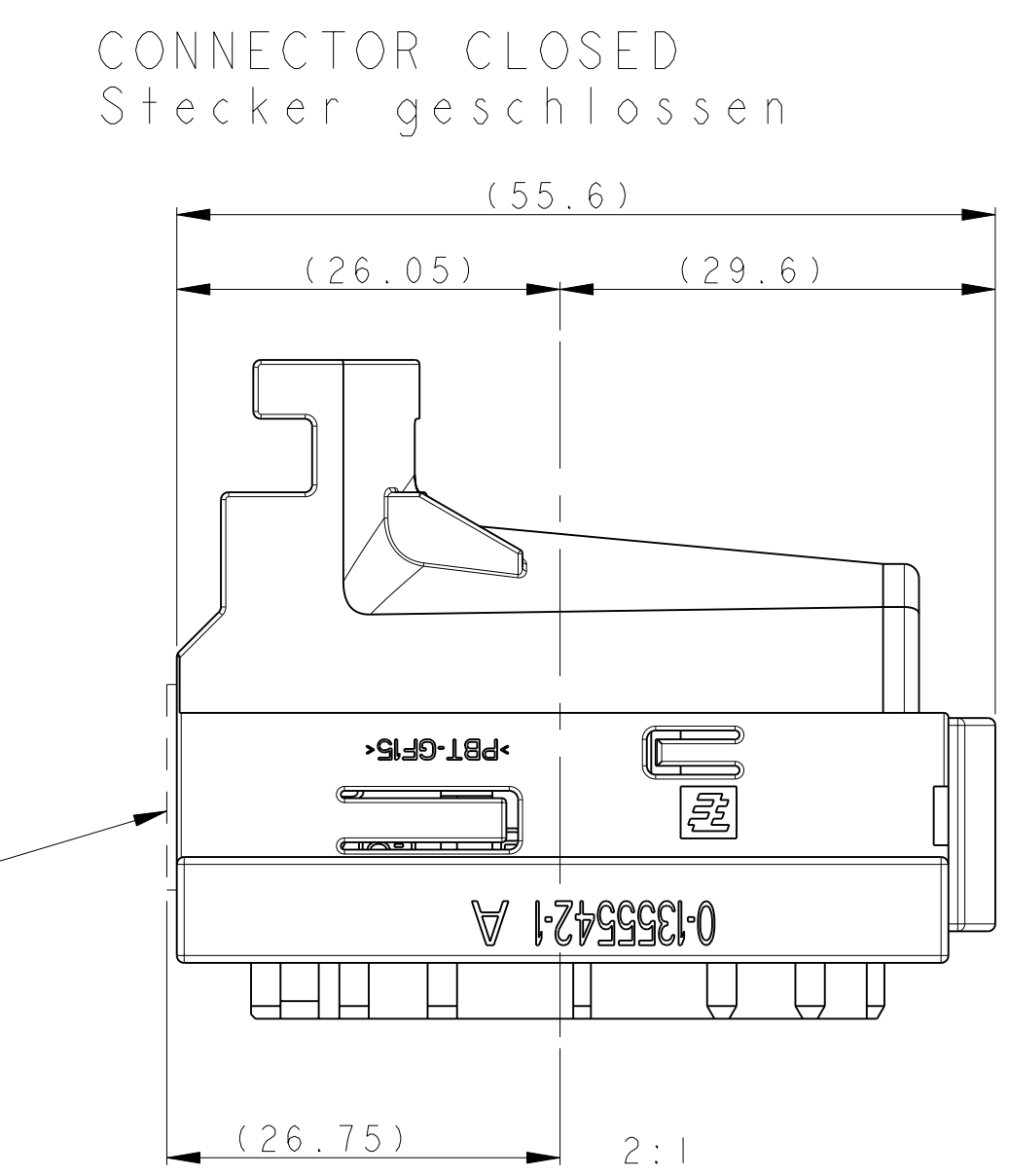
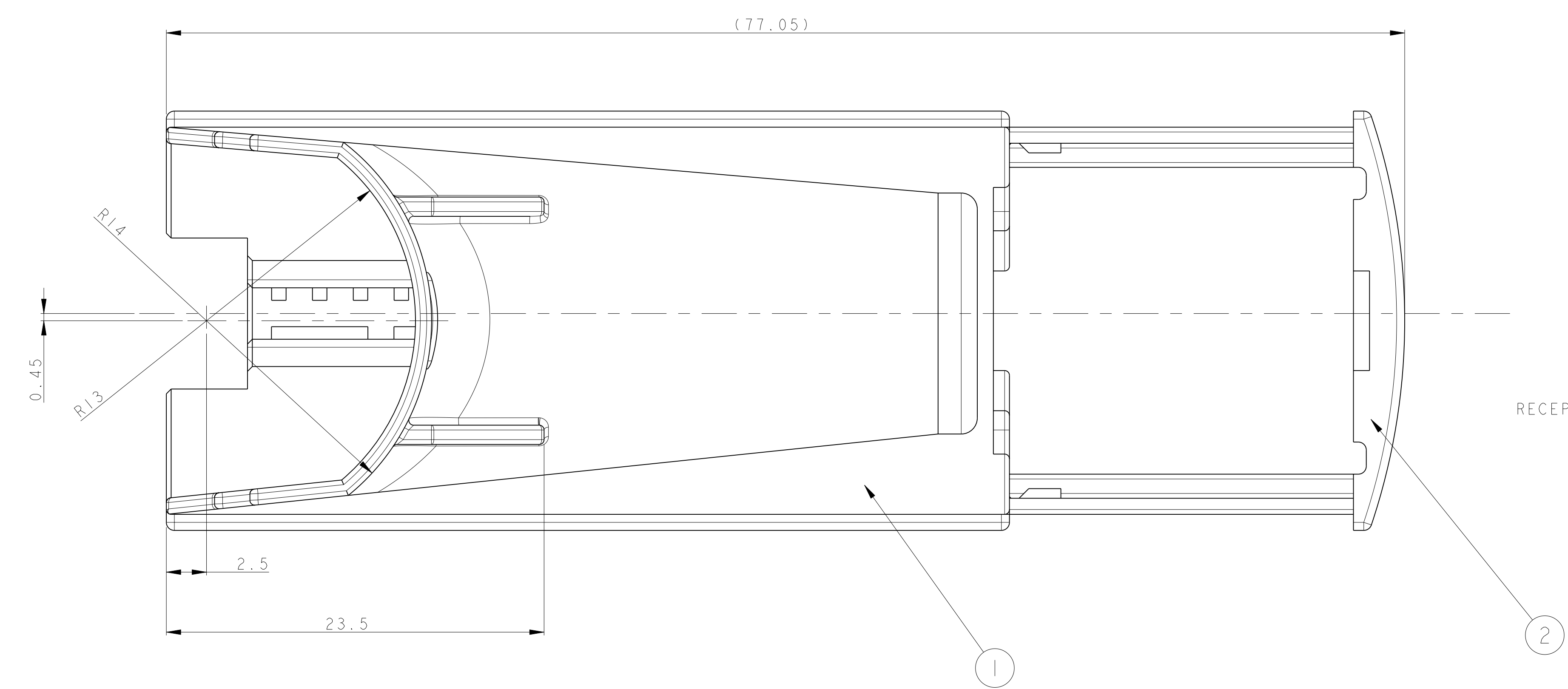


| PROJEKT NO. | | REVISIONS | | | |
|----------------------|-----------------|-----------|---------|-----|------|
| A98-52279 B916704 | | REV | DATE | BY | APPD |
| B3 | SEE E-08-24812 | | 230CT08 | HSC | AK |
| B4 | SEE E-09-023384 | | 14JAN10 | FU | HS |



| REV | DESCRIPTION | DATE | BY | APPD |
|----------------|--|------|----|------|
| 0-1355589-1 | 32POS MODULI PINHEADER, 90° VERSION, RIGHT, COD A | | | |
| | 32POS MODULI PINHEADER, 90° VERSION, LEFT, COD A | | | |
| | 5xTAB5.2mm+2xMODULI PINHEADER, 180° VERSION, COD A | | | |
| 0-1355587-1/-2 | 32POS MODULI PINHEADER, 180° VERSION, COD. A AND B | | | |
| 0-1241725-1 | 5xPO+2xMOS RECEPTACLE HOUSING | | | |
| 0-1241724-1 | 32POS MOS RECEPTACLE HOUSING | | | |
| 114-18079 | INTERFACEDRAWING FOR 5xPO+2xMOS CONNECTOR | | | |
| 114-18078 | INTERFACEDRAWING FOR 32POS MOS CONNECTOR | | | |
| NUMBER | DESCRIPTION | | | |
| NUMBER | BESCHREIBUNG | | | |
| COUNTERPARTS | | | | |
| GEGENSTECKER | | | | |



- NOTES
Bemerkungen
- B4 AMP or TE-LOGO
 - AMP or TE-Logo
 - ORDER-NUMBER
 - Bestell-Nummer
 - REVISIONS-NUMBER
 - Werkzeugänderungsindex
 - GM-LOGO
 - GM-Logo
 - CAVITY MARKING
 - Nestmarkierung
 - CUSTOMER SIGN
 - Kunden-Kurzzeichen
 - PACKAGE: IN LAYERS IN CARTON
 - Verpackung: Teile lageweise im Karton
 - MATERIAL MARKING
 - Werkstoffkennzeichnung
 - PRODUCTION-DATE
 - Produktions-Datum
 - SPECIAL PACKAGE FOR RUDE TRANSPORT: 180 PIECES IN LAYERS IN CARTON
 - Spezialverpackung fuer rauhen Transport: 180 Teile lageweise im Karton
 - BEFORE MATING WITH COUNTERPART MOVE SLIDE IN PRELOCK-POSITION
 - Vor dem Stecken auf das Gegenstück zuerst den Schieber in Vorraststellung schieben

| REV | DESCRIPTION | DATE | BY | APPD |
|-------------|----------------|------|----|------|
| 2-1355541-2 | SLIDE | | | |
| | COVER CODING B | | | |
| 1-1355541-2 | SLIDE | | | |
| | COVER CODING B | | | |
| 1-1355541-1 | SLIDE | | | |
| | COVER CODING A | | | |
| 0-1355541-2 | SLIDE | | | |
| | COVER CODING B | | | |
| 0-1355541-1 | SLIDE | | | |
| | COVER CODING A | | | |

| REV | DESCRIPTION | DATE | BY | APPD |
|-----|-------------|------|----|------|
| 0 | PLC | 03.3 | | |
| 1 | PLC | 03.3 | | |
| 2 | PLC | 03.3 | | |
| 3 | PLC | 03.3 | | |
| 4 | PLC | 03.3 | | |

单击下面可查看定价，库存，交付和生命周期等信息

[>>TE Connectivity\(泰科\)](#)