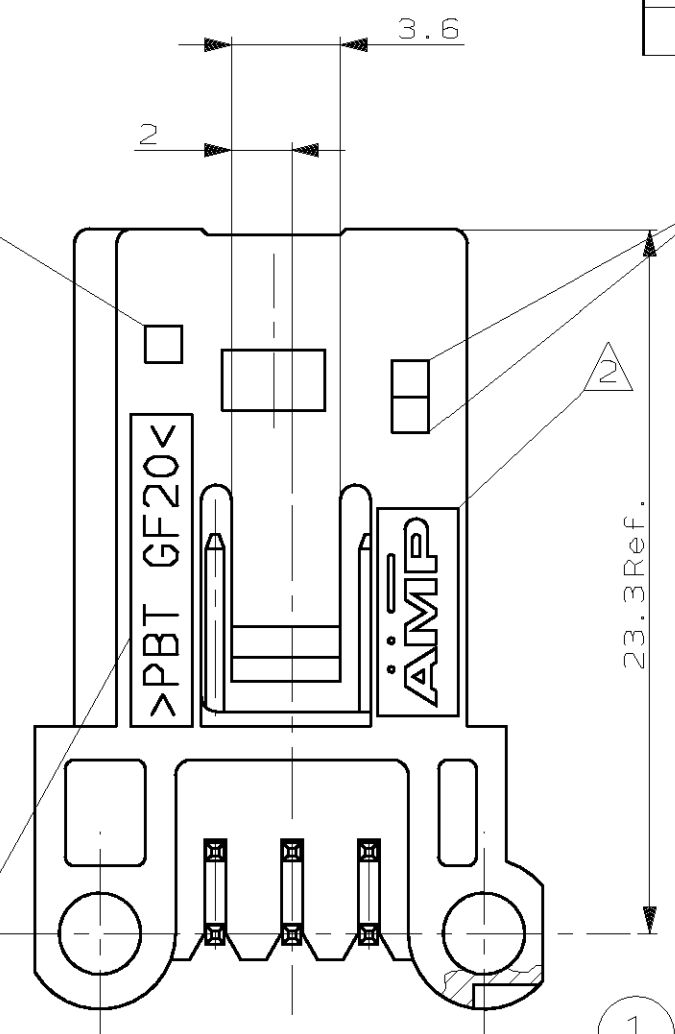
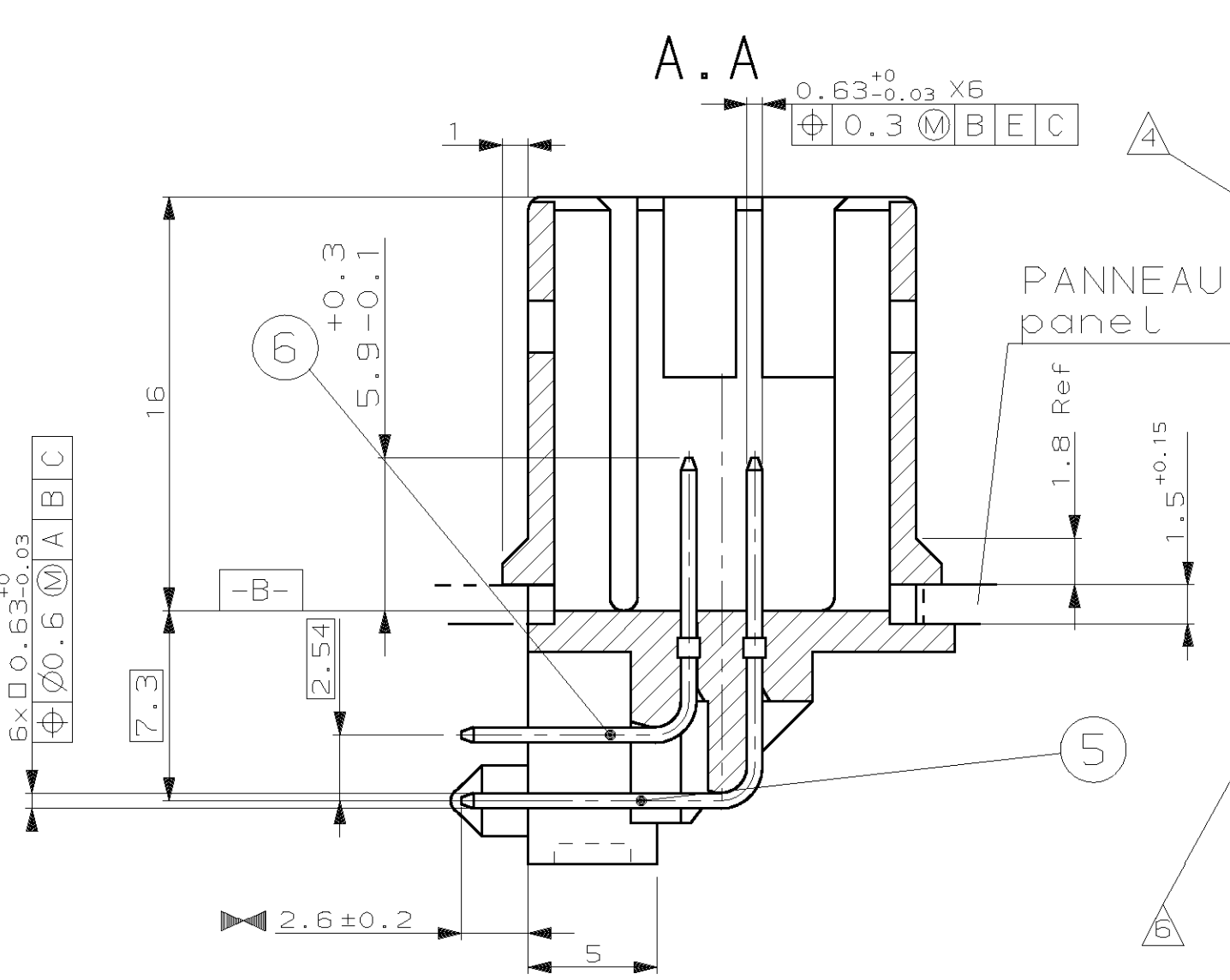
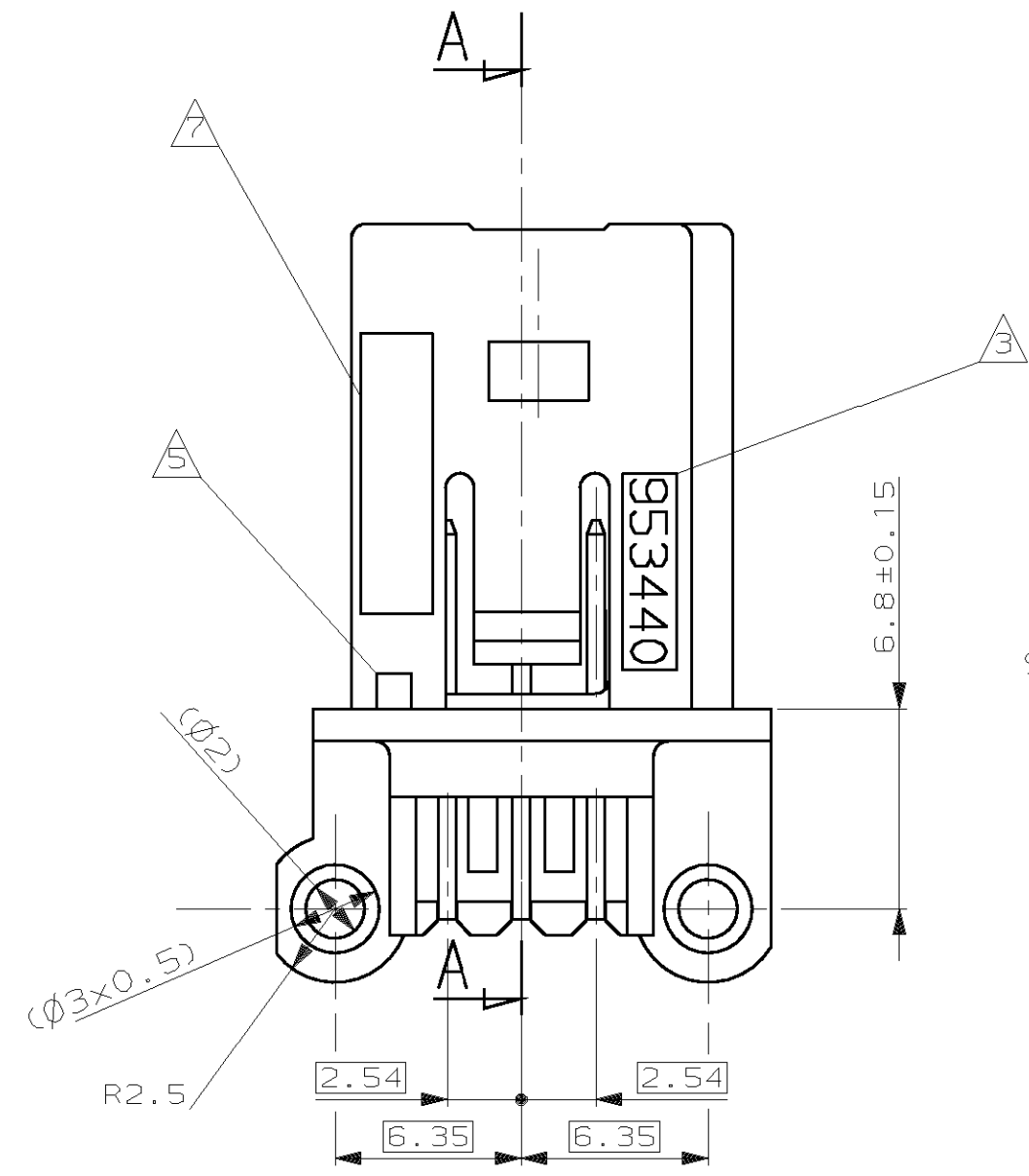
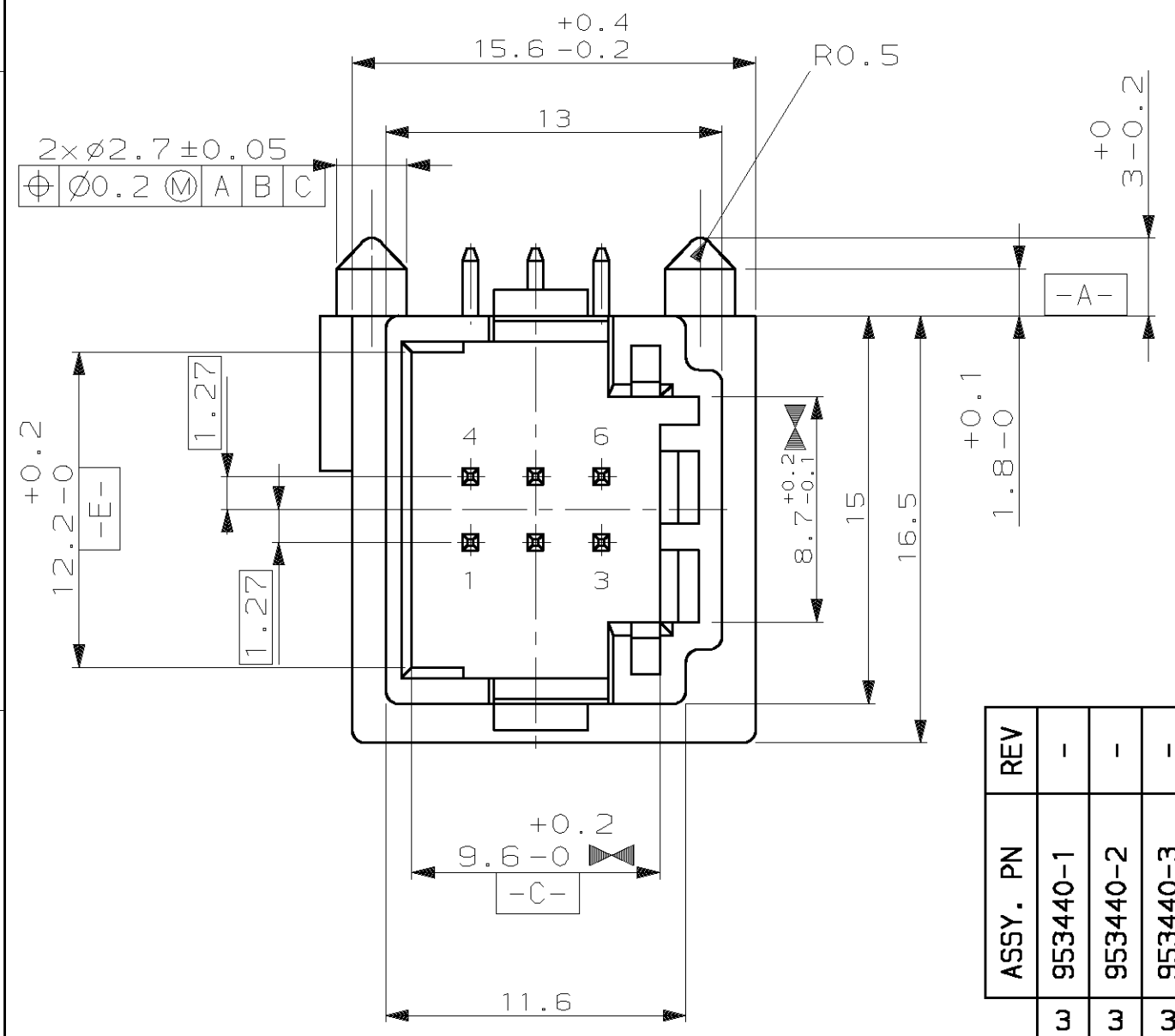


THIS DRAWING IS UNPUBLISHED. DIFFUSION RESTREINTE AMP. ALL RIGHTS RESERVED. TOUS DROITS RESERVES.

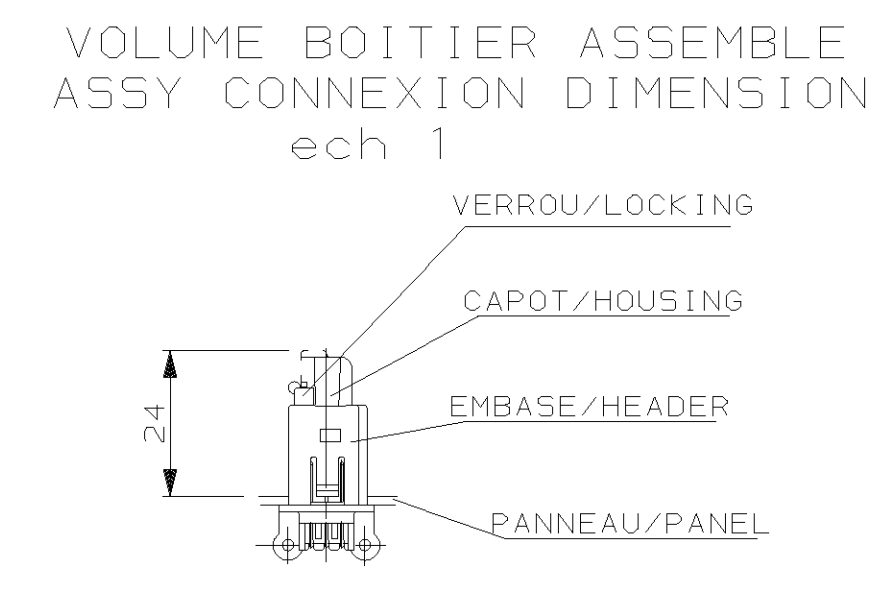
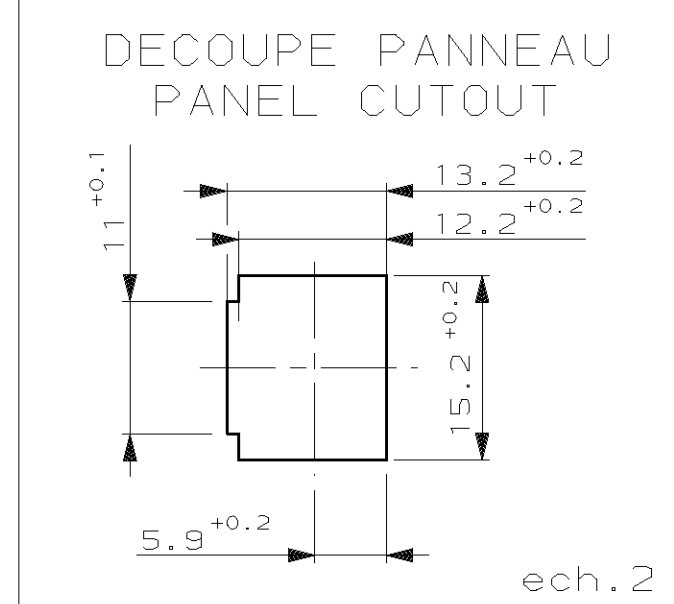
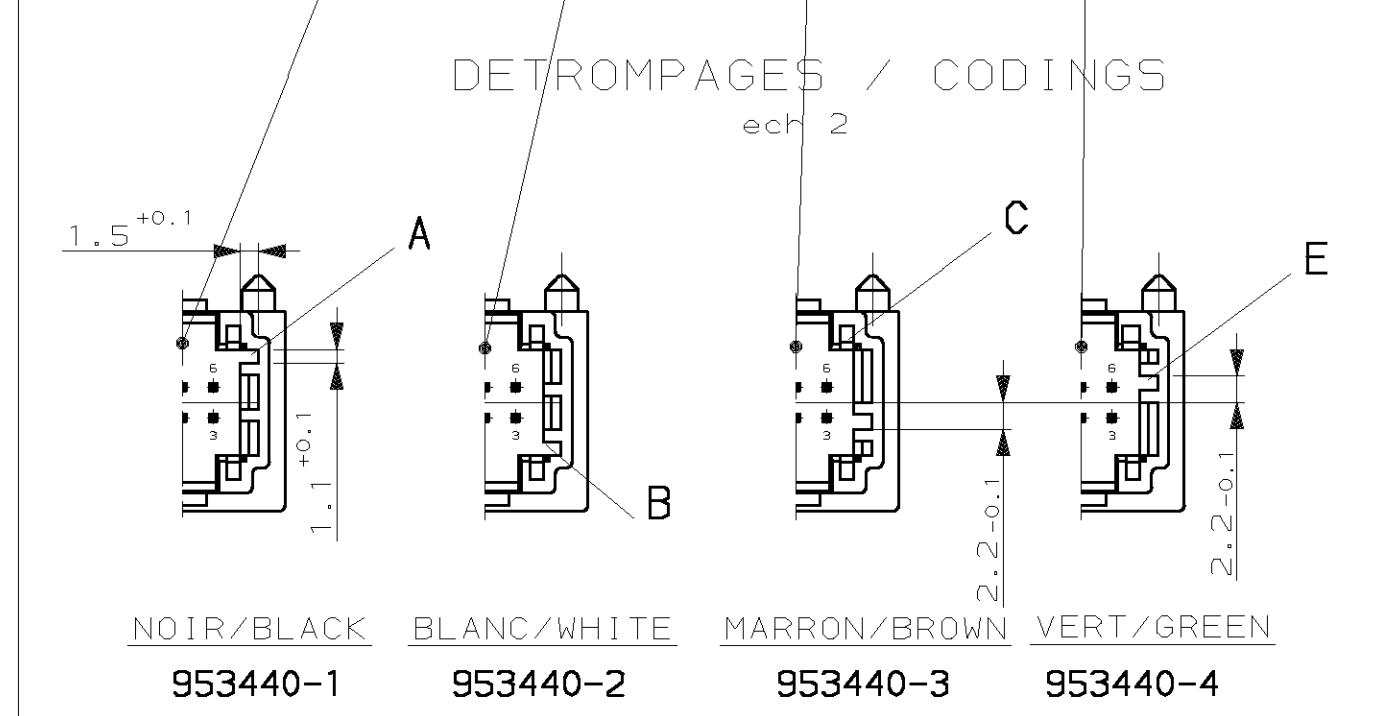
REVISIONS				
P	LTR REV	DESCRIPTION MODIFICATIONS	DATE	DWN DESS. APVD APP.
0		REPLACE REF. 185681	27-MAI-98	JLQ -
A		TOLERANCE COTE 15.6	07-APR-00	JLQ -



- Marquage:
- 1 Date de fabrication
 - 2 Logo AMP
 - 3 Reference du produit assemble
 - 4 Indice de revision du moule
 - 5 N° d'empreinte de moule
 - 6 Matiere: (voir tableau)
 - 7 Date d'assemblage
 - 8 Cote capabilite



- Marking:
- 1 Date code
 - 2 AMP Logo
 - 3 Assy part number
 - 4 Revision status
 - 5 Cavity marking
 - 6 Material reference
 - 7 Assy date
 - 8 Dimension for capability



ASSY. PN	REV	MATERIAL	DESIGNATION / NAME	COULEUR / COLOR	REP.
953440-1	-	CuSn6	MQS SHORT CONTACT	POST ETAME / POST TIN	6
953440-2	-	CuSn6	MQS LONG CONTACT	POST ETAME / POST TIN	5
953440-3	-	PBT GF20	BOITIER / HOUSING	VERT / GREEN	4
953440-4	-	PBT GF20	BOITIER / HOUSING	MARRON / BROWN	3
		PBT GF20	BOITIER / HOUSING	BLANC / WHITE	2
		PBT GF20	BOITIER / HOUSING	NOIR / BLACK	1

953440-1

QTY	MATERIAL	DESIGNATION / NAME	COULEUR / COLOR	REP.
3	CuSn6	MQS SHORT CONTACT	POST ETAME / POST TIN	6
3	CuSn6	MQS LONG CONTACT	POST ETAME / POST TIN	5
-	PBT GF20	BOITIER / HOUSING	VERT / GREEN	4
-	PBT GF20	BOITIER / HOUSING	MARRON / BROWN	3
-	PBT GF20	BOITIER / HOUSING	BLANC / WHITE	2
1	PBT GF20	BOITIER / HOUSING	NOIR / BLACK	1

THIS DRAWING IS A CONTROLLED DOCUMENT FOR AMP INCORPORATED. IT IS SUBJECT TO CHANGE AND THE CONTROLLING ENGINEERING ORGANIZATION SHOULD BE CONTACTED FOR THE LATEST REVISION. CE PLAN EST UN DOCUMENT CONTROLÉ PAR AMP INCORPORATED. IL EST SUSCEPTIBLE D'ÊTRE RÉVISÉ. CONTACTER LE SERVICE TECHNIQUE D'AMP SE FRANCE POUR OBTENIR LA DERNIÈRE RÉVISION.

DIMENSIONS: mm

TOLERANCES UNLESS OTHERWISE SPECIFIED: TOLERANCES NON SPECIFIEES (SUIV NB DE DECIMALES):

ANGLES: ±5°

FINISH: -

MATERIAL: -

FINITION: -

DWN/DESIGNE: 27-MAI-98

CHK/VERIFIE: 18-APR-00

APVD/APPROUVE: 18-APR-00

PRODUCT SPEC: 108-15150

APPLICATION SPEC: -

WEIGHT: 2.5gr

MASSSE APPROX.:

CUSTOMER DRAWING/PLAN CLIENT: UNIFORMEMENT POUR REFERENCE

J. LAQUERBE

J. LAQUERBE

J.J. REVIL

AMP DE FRANCE

95301 PONTOISE

AMP

EMBASE 6V MQS COUDEE AVEC 2 PICOTS

6W MQS RIGHT ANGLE HEADER WITH 2 PINS

SCALE: 4:1

SHEET: 1 DE 1

REV: A

单击下面可查看定价，库存，交付和生命周期等信息

[>>TE Connectivity\(泰科\)](#)