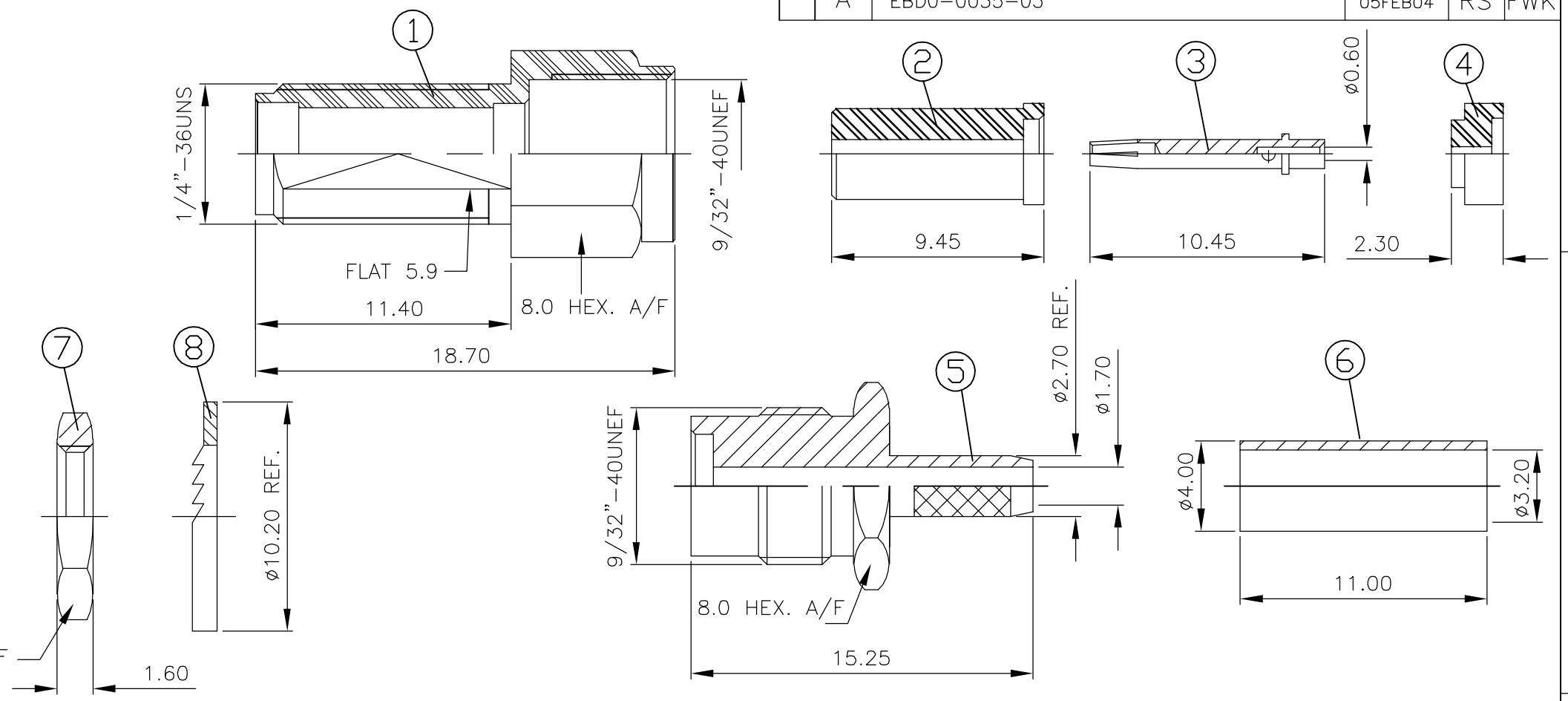


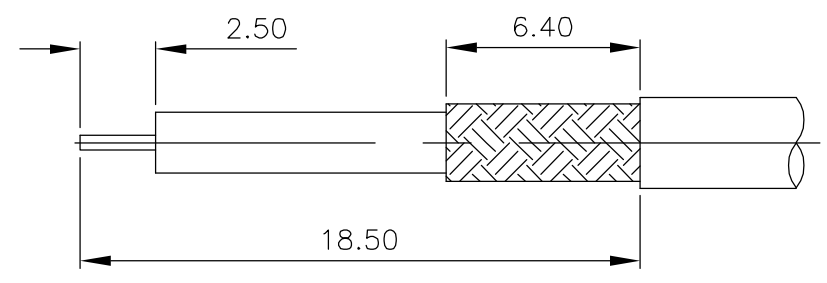
THIS DRAWING IS UNPUBLISHED. RELEASED FOR PUBLICATION APRIL, 2004.
 © COPYRIGHT 2004 BY TYCO ELECTRONICS CORPORATION. ALL RIGHTS RESERVED.

LOC	DIST	REVISIONS					
E	B	P	LTR	DESCRIPTION	DATE	DWN	APVD
		A		EBD0-0035-03	05FEB04	RS	FWK

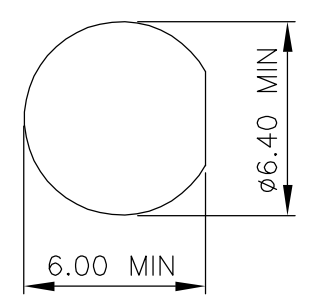
- NOTES:
- ① SINGLE PACK IN ACCORDANCE WITH SPEC 107-3275
 - ② 100 TRAY PACK IN ACCORDANCE WITH SPEC 107-3275
 - ③ 0.08µm Au PLATING OVER 1.27µm Ni PLATING
 - ④ 0.76µm Au PLATING OVER 1.27µm Ni PLATING OVER 0.76µm Cu PLATING
 - ⑤ PASSIVATED
 - ⑥ PLATING AS PER BODY, EXCEPT FOR PASSIVATED WHICH IS NICKEL PLATED
 - 7 HAND TOOL 9-1478240-0
 - 8 DIE SET 9-1478248-0
 - 9 FOR TECHNICAL DATA REFER TO YOUR LOCAL TYCO ELECTRONICS SALES OFFICE
 - 10 ALL DIMENSIONS ARE NOMINAL FOR REFERENCE ONLY UNLESS OTHERWISE STATED



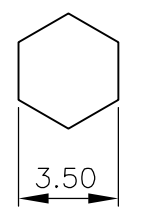
RECOMMENDED CABLE STRIPPING DIM'S



RECOMMENDED MOUNTING HOLE DIM'S



RECOMMENDED CRIMP SLEEVE A/F HEX



QTY	QTY	QTY	QTY	MATERIAL	DESCRIPTION	ITEM
1	1	1	1	STAINLESS STEEL	WASHER	8
1	1	1	1	STAINLESS STEEL	NUT	7
1	1	1	1	BRASS	CRIMP SLEEVE	6
1	1	-	-	STAINLESS STEEL	BODY	5
-	-	1	1	STAINLESS STEEL	BODY	5
1	1	1	1	PTFE	INSULATOR	4
1	1	1	1	BERYLLIUM COPPER	CENTER SOCKET	3
1	1	1	1	PTFE	INSULATOR	2
1	1	-	-	STAINLESS STEEL	SHELL	1
-	-	1	1	STAINLESS STEEL	SHELL	1
2--1	2--0	1--1	1--0	MATERIAL	DESCRIPTION	ITEM
②	①	②	①			

THIS DRAWING IS A CONTROLLED DOCUMENT.

DWN R.SMITH 05FEB04
 CHK S.PARLOW 05FEB04
 APVD F.WHEELER-KING 05FEB04

tyco Electronics Tyco Electronics Corporation
 Bideford, UK, EX39 4HE

NAME: SMA STRAIGHT BULKHEAD, JACK SOLDER PIN, CRIMP ATTACHMENT
 PRODUCT SPEC: 108-3460
 APPLICATION SPEC: 411-3276

SIZE: A3 CAGE CODE: 00779 DRAWING NO: 1478959 RESTRICTED TO: -

MATERIAL: SEE TABLE FINISH: -

CUSTOMER DRAWING SCALE: 1:1 SHEET: 1 OF 1 REV: A

单击下面可查看定价，库存，交付和生命周期等信息

[>>TE Connectivity\(泰科\)](#)