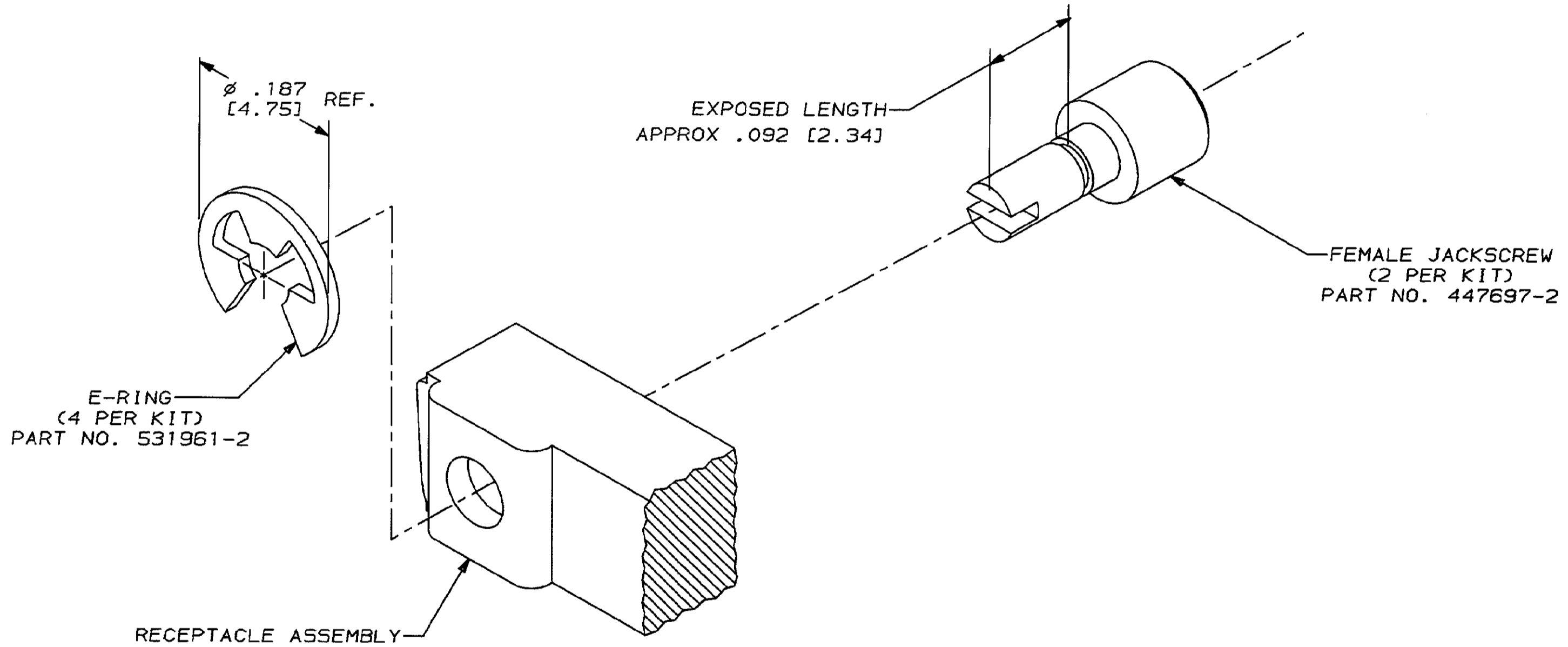


DRAWING MADE IN THIRD ANGLE PROJECTION

THIS DRAWING IS UNPUBLISHED. RELEASED FOR PUBLICATION
 © COPYRIGHT 19 BY AMP INCORPORATED. ALL INTERNATIONAL RIGHTS RESERVED.

PROD CODE	LOC	DIST	P	F	ZONE	LTR	REVISIONS	DATE	APPD
5327	DF	F1					RELEASED PER W/O 0-243F & NPR's 90-515 & 90-516	1-10-91	br & wpl
							REV PER ECN DF-5297 TA	4-3-92	DG
							REV PER ECN DF-5935 EB	8/3/92	DG



AS SHOWN	447575-1
NOTE	PART NO.

DO NOT SCALE PRINT. UNLESS SPECIFIED DIMENSIONS IN INCHES [mm] TOLERANCES ON: 2 PLC DEC ± - 3 PLC DEC ± - ANGLES ± -	DR R. RINEHART 10-24-90	AMP AMP Incorporated Harrisburg, PA 17105-3608
	CHK D. GUTTER 4-3-92	
MATERIAL	APPD D. GUTTER 4-3-92	NAME JACKSCREW, MINI-BOX, SPECIAL
	APPD T. ALEXANDER 4-3-92	
FINISH	APPLICATION SPEC	SIZE CAGE CODE DRAWING NO C 00779 447575
	WEIGHT	SCALE NTS SHEET 1 of 1

单击下面可查看定价，库存，交付和生命周期等信息

[>>TE Connectivity\(泰科\)](#)