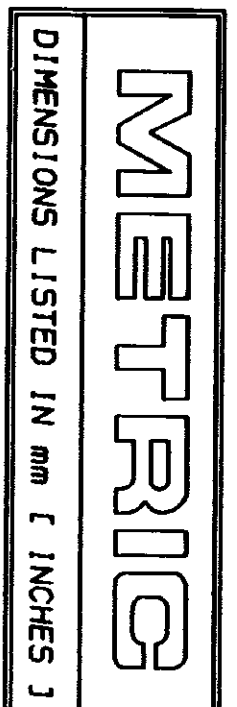


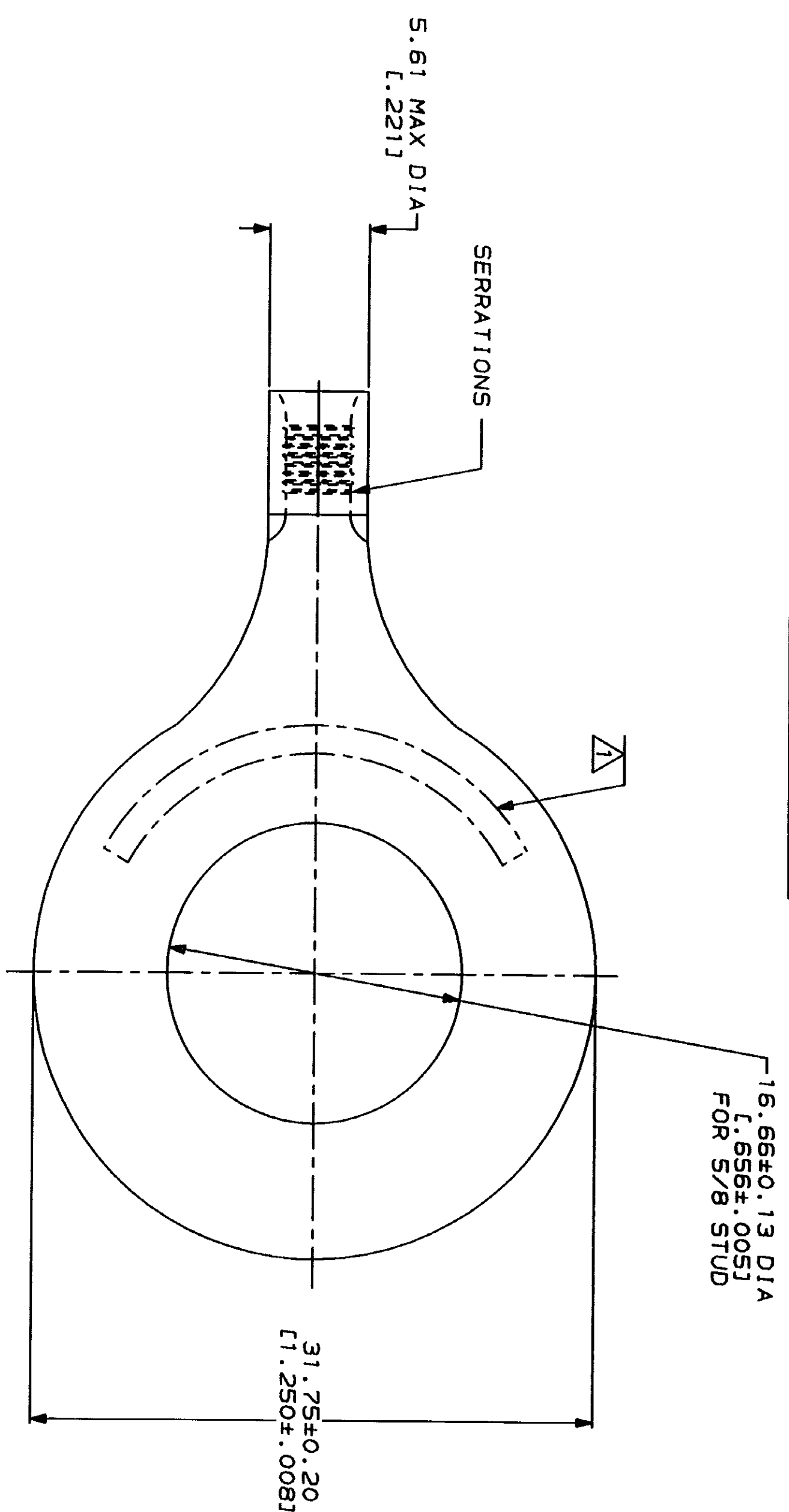
DRAWING MADE IN THIRD ANGLE PROJECTION
 THIS DRAWING IS UNPUBLISHED.
 COPYRIGHT 1983 BY AMP INCORPORATED. ALL INTERNATIONAL RIGHTS RESERVED.

RELEASED FOR PUBLICATION
 BY AMP INCORPORATED. ALL INTERNATIONAL RIGHTS RESERVED.

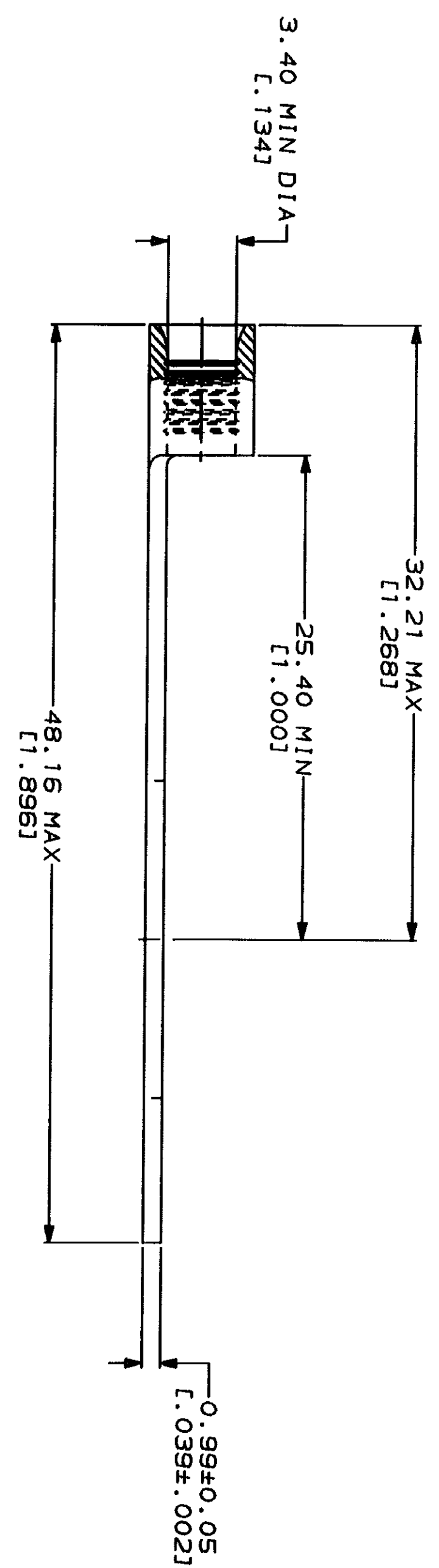
LOC	DIST	REV	ZONE	DATE	APP'D
G	14		A	2/28/94	DAV



WIRE RANGE	UL E13288 Listed
12-10 AWG STRANDED	12-10 AWG STRANDED
NOT CERTIFIED	MILITARY P/N AND CLASS
NOT CERTIFIED	NOT APPLICABLE



△ STAMP AMP 12-10* APPROX AS SHOWN



AMP INCORPORATED
 CUSTOMER SERVICE SYSTEMS

MAX RECOMMENDED OPERATING TEMPERATURE: 170°C MAX
 VOLTAGE RATING: NOT APPLICABLE
 WIRE CROSS SECTIONAL AREA RANGE: 2.62-6.64mm² [5,180-13,100] CIR MILS STRANDED

DO NOT SCALE PRINT. UNLESS SPECIFIED DIMENSIONS IN INCHES TOLERANCES ON: 2 PLC DEC ± .005 ANGLES 3 PLC DEC ± .005

DR 2-9-93 TA BRINKMAN
 CHK 2-9-93 DA PATTERSON
 APPD 2-9-93 DE MILLER
 APPD 2-9-93 JL NECKLEY

AMP
 AMP Incorporated
 Harrisburg, PA 17105-3608

FOR ADDITIONAL PRODUCT INFORMATION OR COPIES OF DRAWINGS AND TECHNICAL DOCUMENTS
 PRODUCT INFORMATION CENTER
 1-800-522-6752

FOR APPLICATION TOOLING INFORMATION
 TOOLING ASSISTANCE CENTER
 1-800-722-1111

FINISH TIN PLATE
 0.00254 [L.000100] MIN THK PER MIL-T-10727

NAME
 TERMINAL, RING TONGUE, BUDGET

SIZE CAGE CODE DRAWING NO
 00779 320761

FOR ORDER ENTRY
 1-800-526-5142

THIS DRAWING IS A CONTROLLED DOCUMENT FOR AMP INCORPORATED. IT IS SUBJECT TO CHANGE WITHOUT NOTICE. ANY CHANGES SHOULD BE CONFIRMED FOR THE LATEST REVISION.

SCALE 4:1

WEIGHT

SHEET 1 OF 1

单击下面可查看定价，库存，交付和生命周期等信息

[>>TE Connectivity\(泰科\)](#)