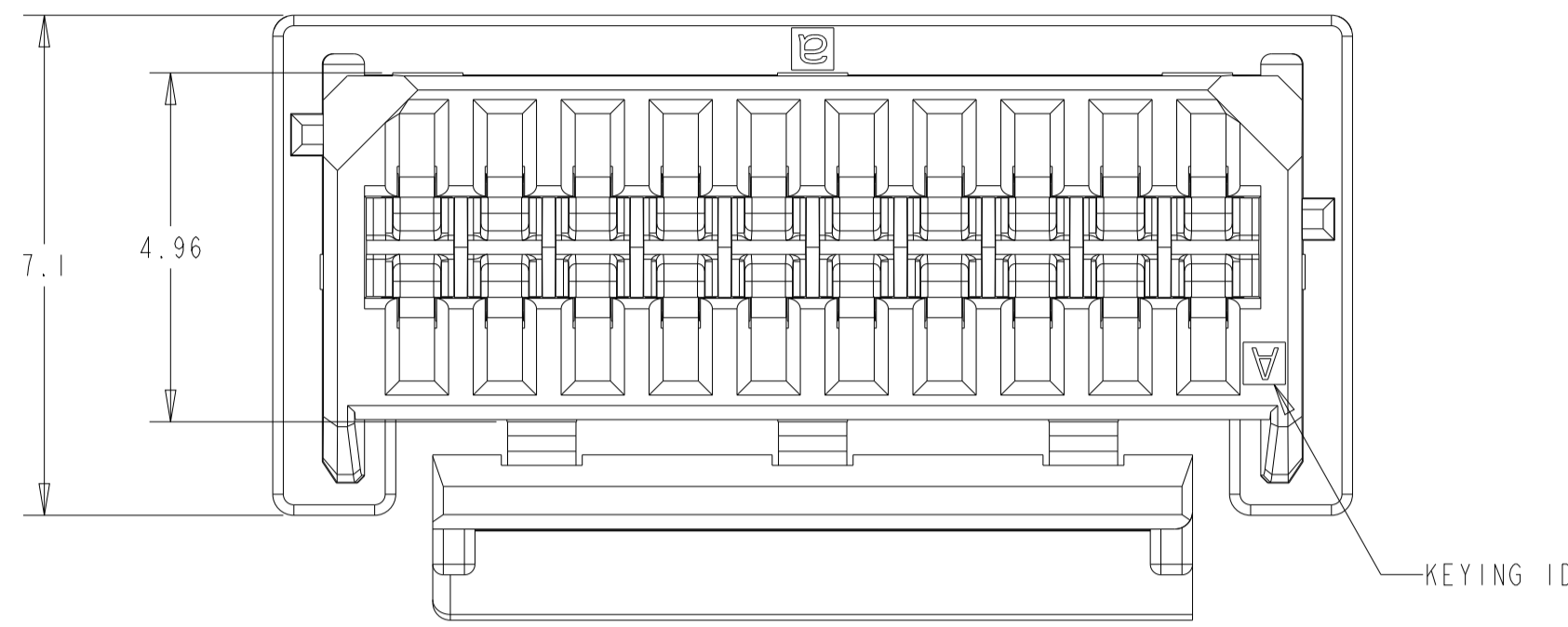
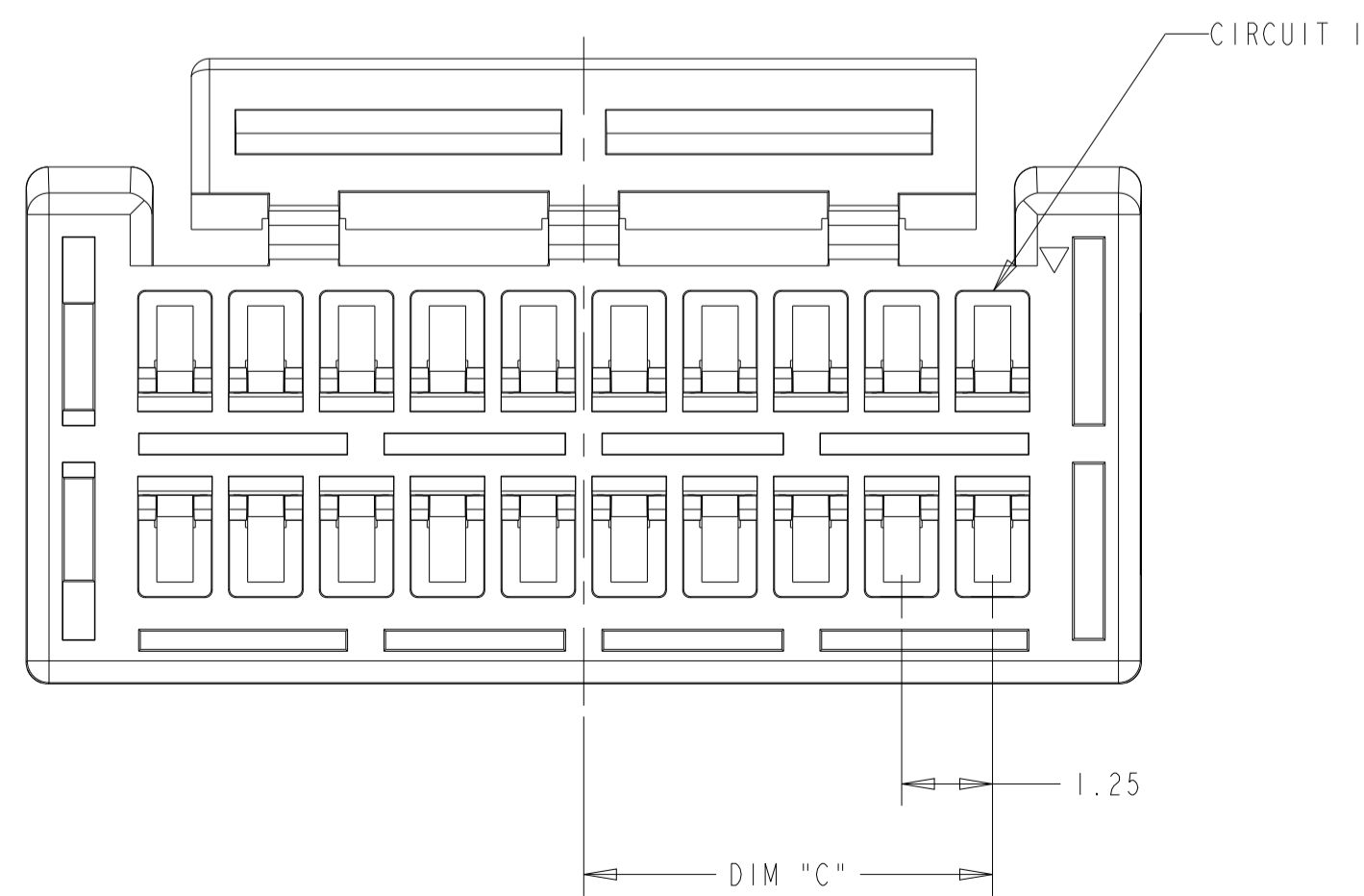
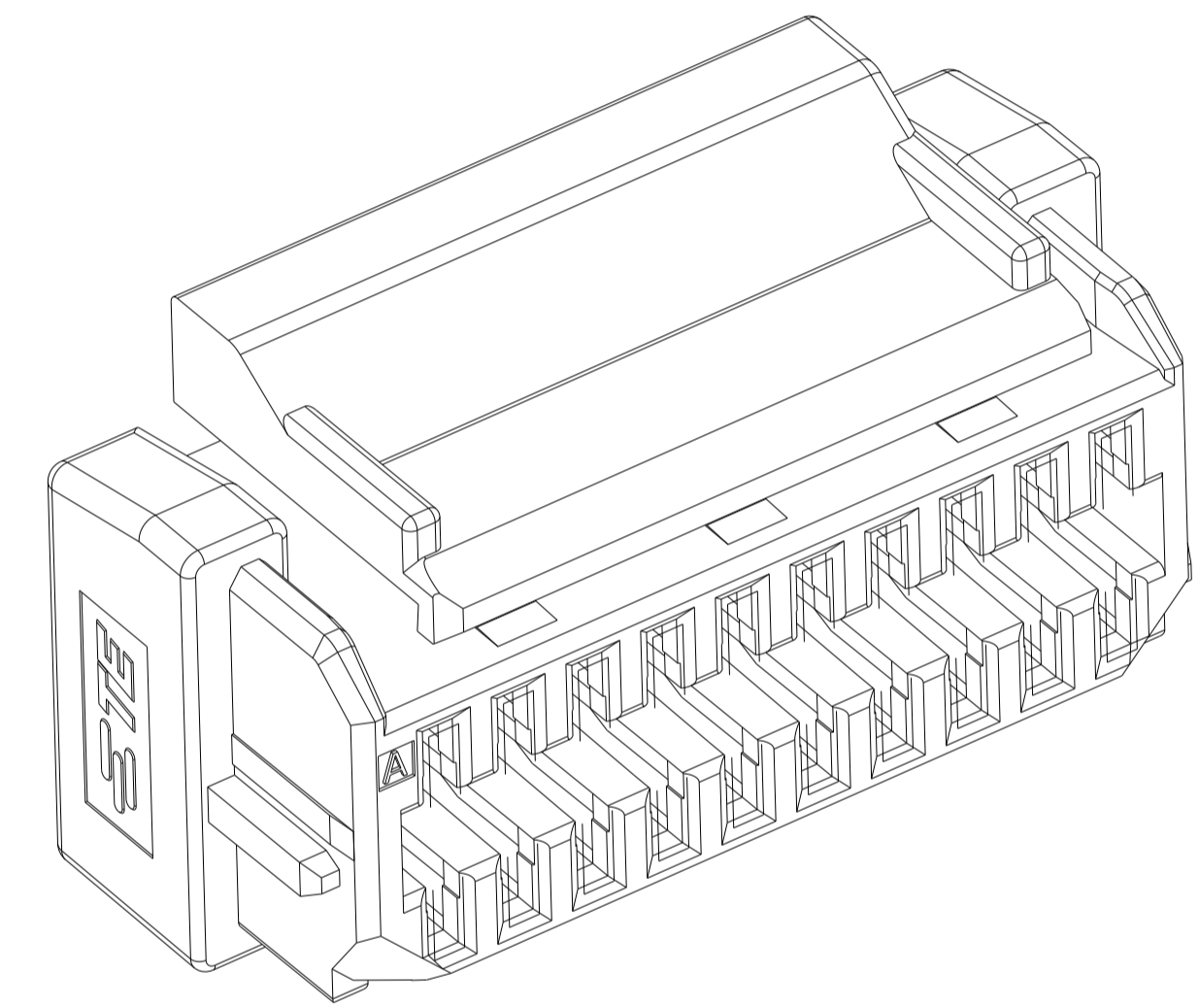
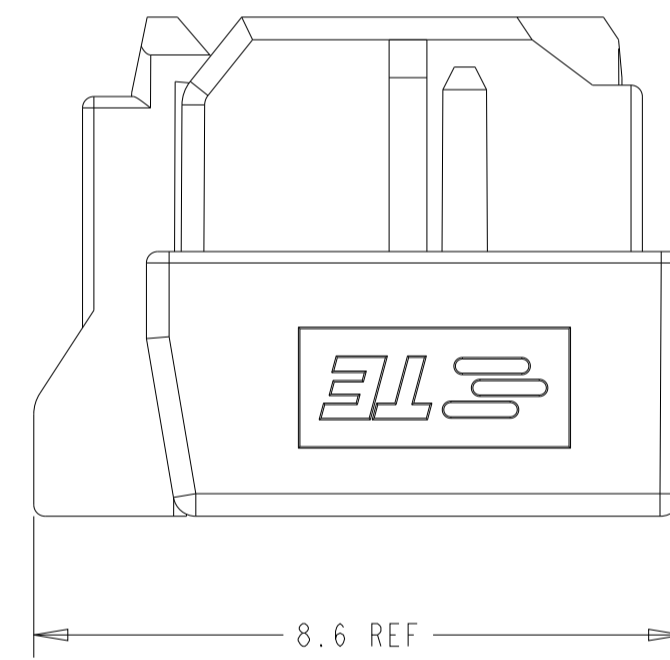
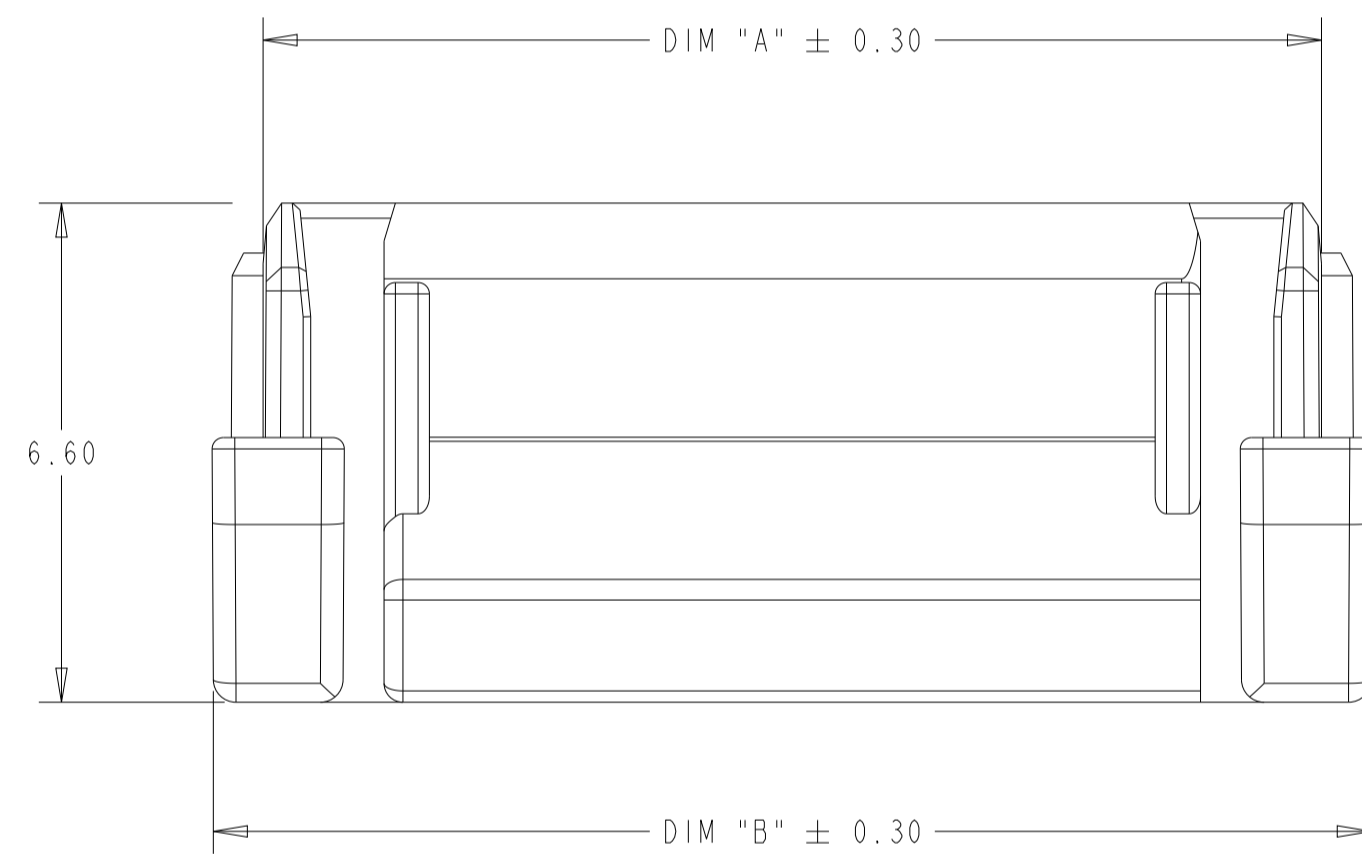


KEYING A SHOWN FOR 20 POSITION

REVISIONS				
P	LTN	DESCRIPTION	DATE	APVD
A		PRODUCTION RELEASE PER ECN-23-218419	25JUN2023	N.H L.C
A1		REVISED PER ECR-24-197900	29JAN2024	N.H L.C



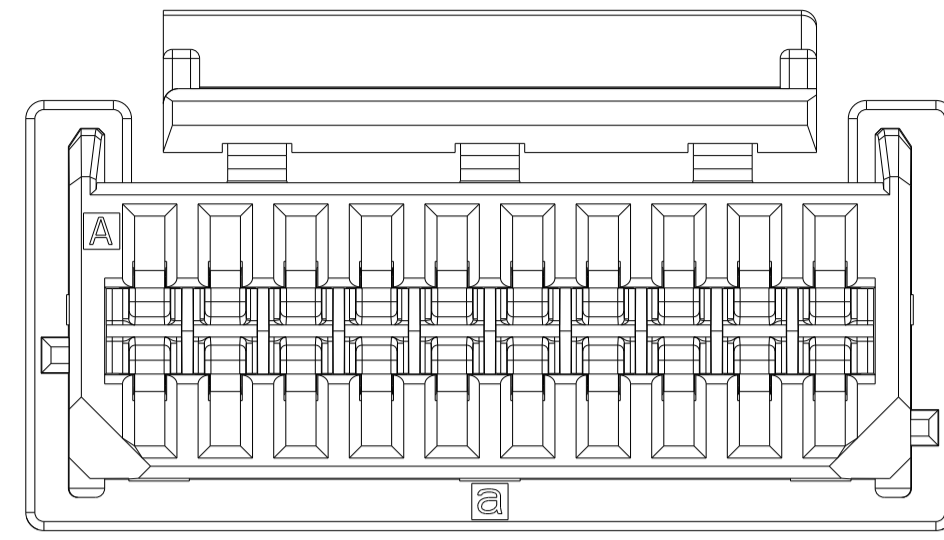
- △ MATERIAL: NYLON, UL94V-0, COLOR: SEE TABLE IN PAGE 2
- 2. THIS HOUSING ACCEPTS TERMINAL: 2371403-1
- 3. RECOMMENDED MATING PART: SEE TABLE IN PAGE 2
- 4. DIMENSIONS SHOWN REPRESENT PRODUCT IN DRY, AS MOLDED, CONDITION



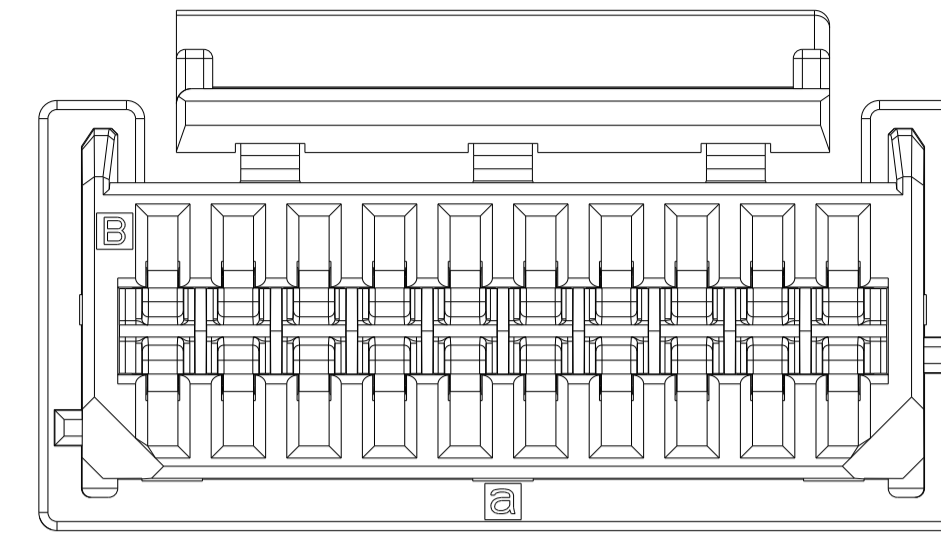
THIS DRAWING IS A CONTROLLED DOCUMENT.		OWN: BASAVARAJA D A 31 JUL 2020	TE Connectivity	
		CHK: CHEN LEO 31 JUL 2020		
DIMENSIONS:		APVD: CHEN LEO 31 JUL 2020	NAME: PLUG HOUSING, DUAL ROW, SGI 1.25	
mm	0 PLC ±0.30	PRODUCT SPEC	-	
	1 PLC ±0.15	APPLICATION SPEC	-	
	2 PLC ±	108-106451	SIZE: A	CAGE CODE: 00779
	3 PLC ±	114-106497	DRAWING NO: C=2456588	RESTRICTED TO: -
	4 PLC ±	WEIGHT: -	SCALE: 10:1	SHEET 1 OF 2
	ANGLES ±	CUSTOMER DRAWING	REV: A1	
	FINISH -			

KEYING ILLUSTRATION

REVISIONS				
P	LTN	DESCRIPTION	DATE	APVD
-		SEE SHEET 1	-	-



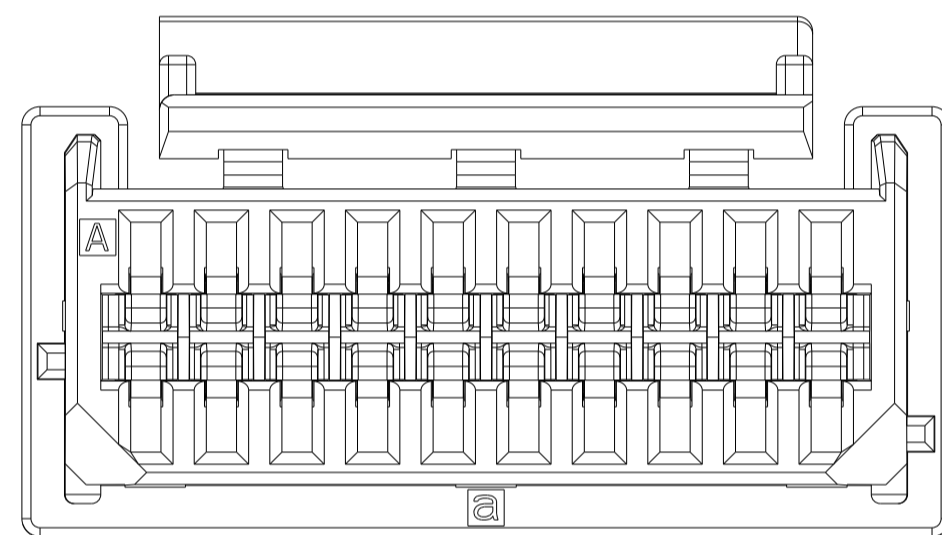
KEY A



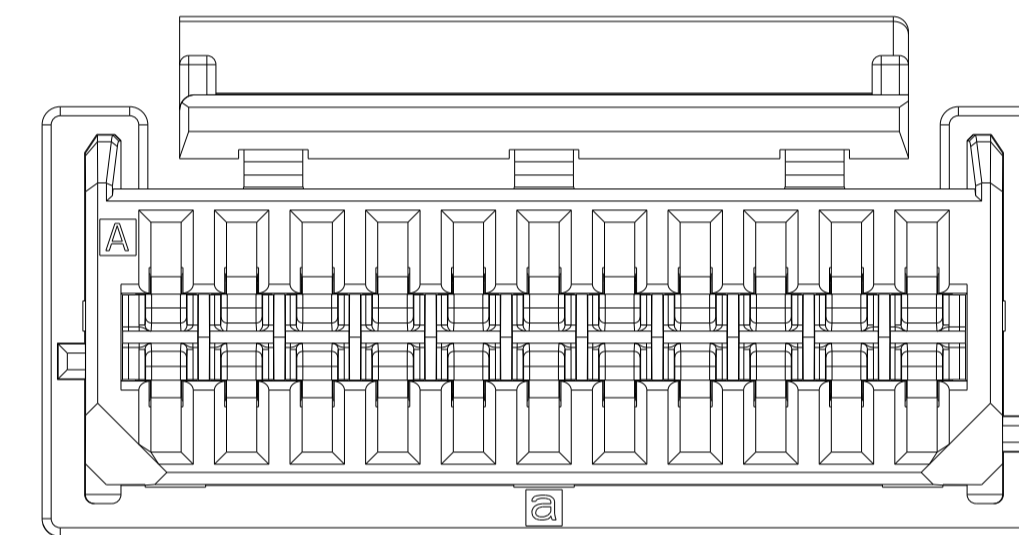
KEY B

KEY A SHOWN FOR ALL POSITIONS

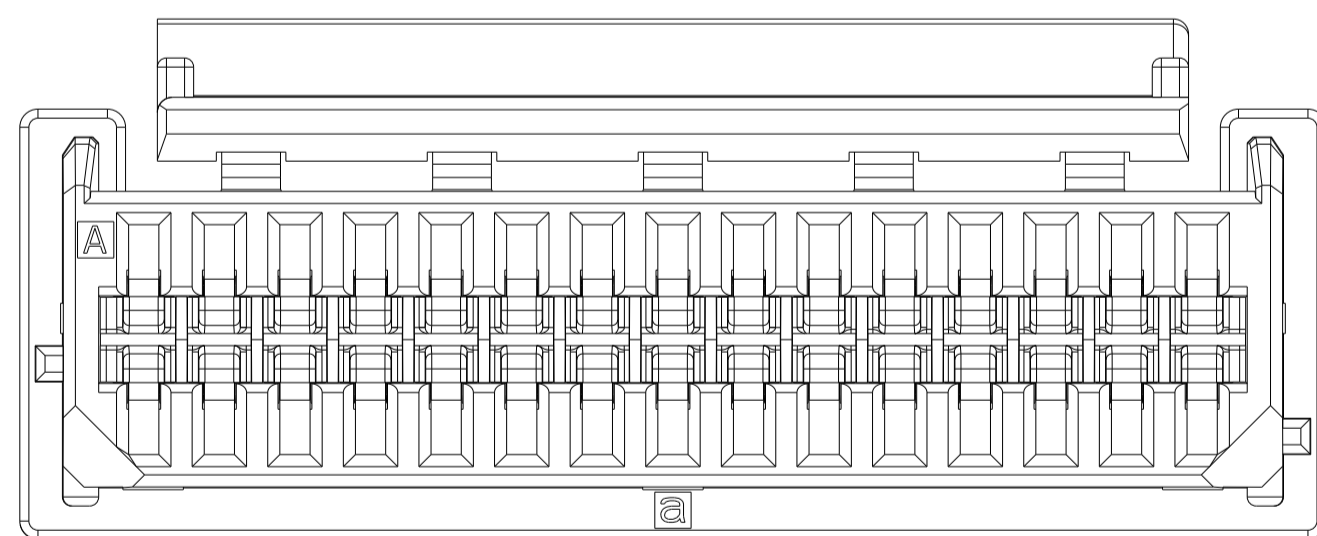
20 POSITION
2-2456588-0



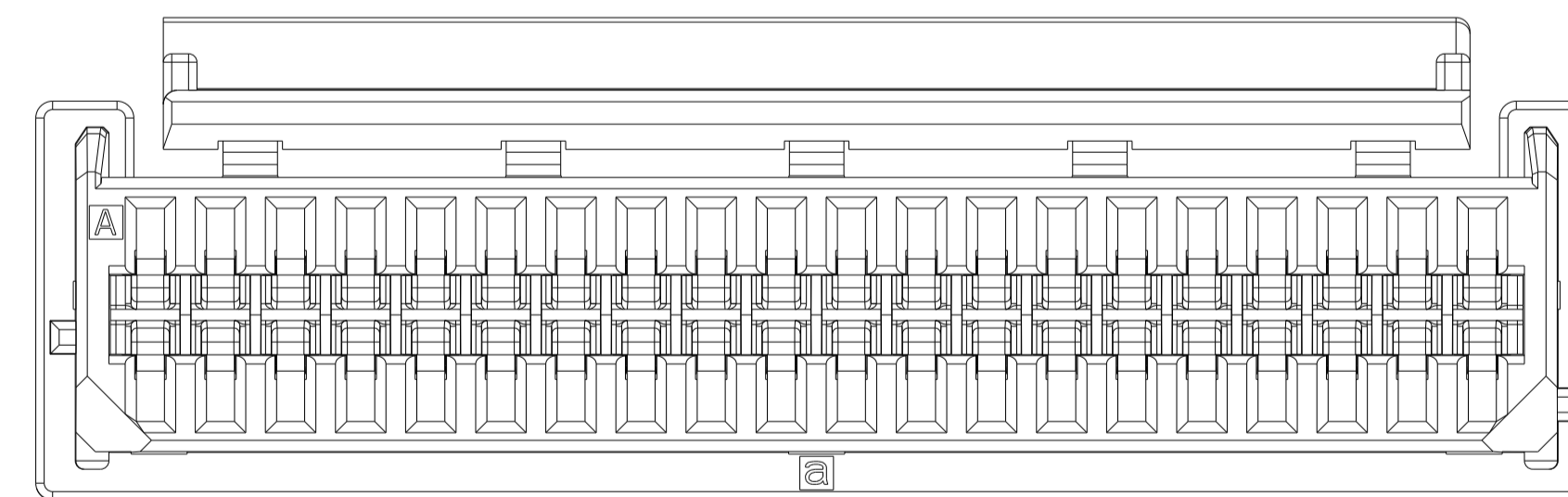
22 POSITION
2-2456588-2



30 POSITION
3-2456588-0



40 POSITION
4-2456588-0



MATING HEADER	DIM "C"	DIM "B"	DIM "A"	KEYING	COLOR	POS	PART NO	REMARK
9-2456589-0	5.625	15.35	14.00	A	BLACK	20	9-2456588-0	
8-2456589-0	11.875	27.85	26.50	B	BLACK	40	8-2456588-0	
7-2456589-0	8.75	21.60	20.25			30	7-2456588-0	
6-2456589-0	5.625	15.35	14.00	A	NATURAL	20	6-2456588-0	
4-2456589-0	11.875	27.85	26.50			40	4-2456588-0	
3-2456589-0	8.75	21.60	20.25			30	3-2456588-0	
2-2456589-2	6.25	16.60	15.25			22	2-2456588-2	
2-2456589-0	5.625	15.35	14.00			20	2-2456588-0	

THIS DRAWING IS A CONTROLLED DOCUMENT.

DIMENSIONS:	TOLERANCES UNLESS OTHERWISE SPECIFIED:	APVD: CHEN LEO 31 JUL 2020	NAME: PLUG HOUSING, DUAL ROW, SGI 1.25
mm	0 PLC ±0.30 1 PLC ±0.15 2 PLC ±0.15 3 PLC ±0.15 4 PLC ±0.15 ANGLES ±0.5° FINISH	CHK: BASAVARAJA D A 31 JUL 2020 CHK: CHEN LEO 31 JUL 2020	PRODUCT SPEC: 108-106451 APPLICATION SPEC: 114-106497
MATERIAL:		SIZE: A CAGE CODE: 00779 DRAWING NO: 2456588	RESTRICTED TO: -
		WEIGHT: -	CUSTOMER DRAWING

SCALE: 8:1 SHEET 2 OF 2 REV A1

单击下面可查看定价，库存，交付和生命周期等信息

[>>TE Connectivity\(泰科\)](#)