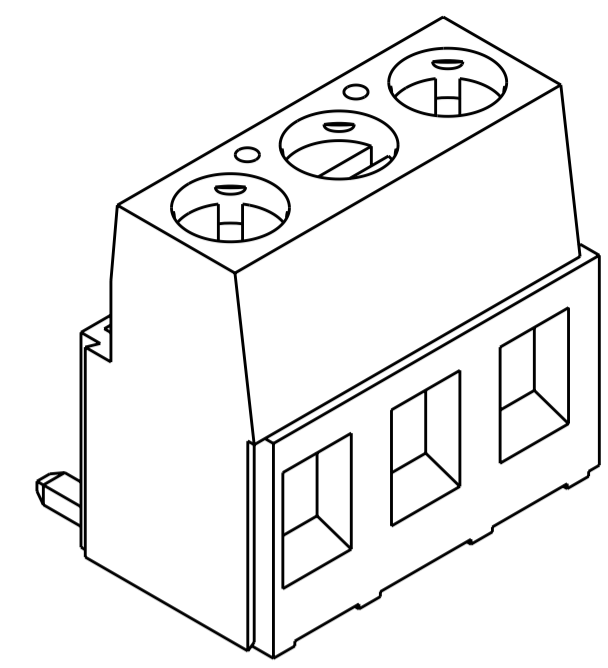
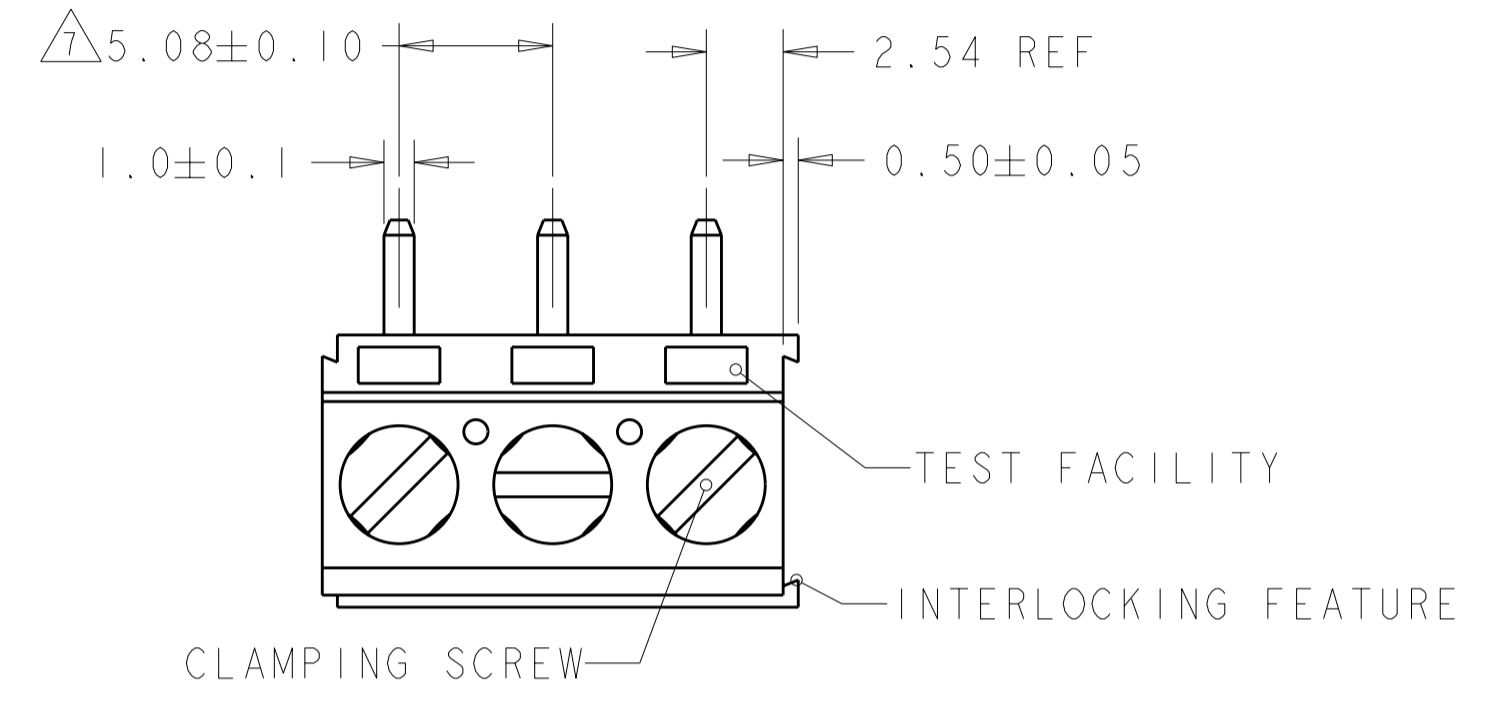


THIS DRAWING IS UNPUBLISHED. RELEASED FOR PUBLICATION 20
 © COPYRIGHT 20 BY - ALL RIGHTS RESERVED.

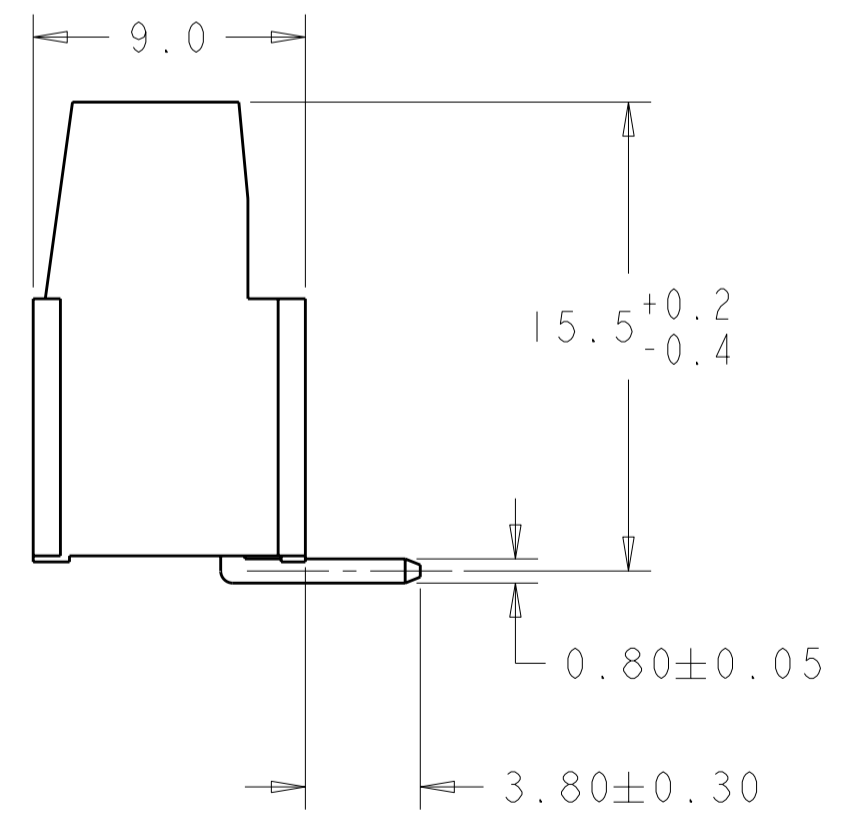
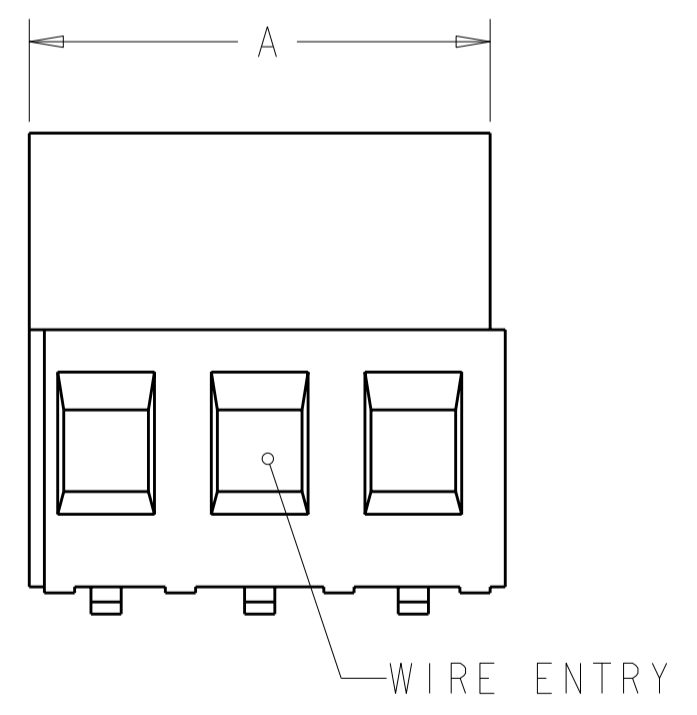
LOC		DIST		REVISIONS			
P	LTR	DESCRIPTION	DATE	DWN	APVD		
	BI	REVISED PER ECO-11-004835	11MAR2011	RK	HMR		



1547063-3 AS SHOWN

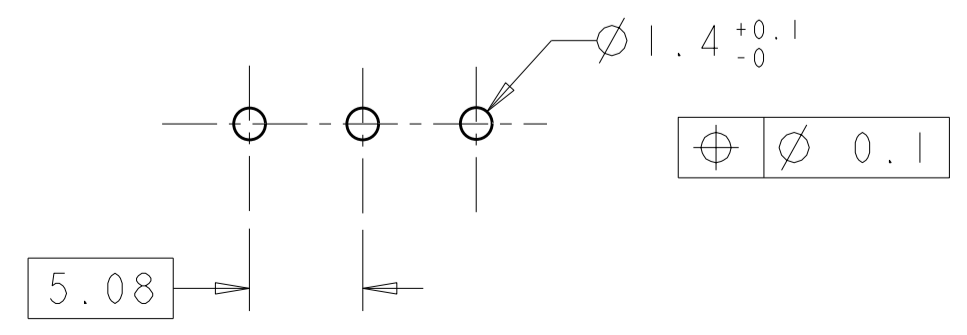


- 1 MATERIALS AND FINISH
 HOUSING: PA 6-6, UL 94-V0, COLOR BLACK.
 CLAMP: BRASS, NICKEL PLATED.
 TERMINAL: BRASS, TIN PLATED.
 CLAMPING SCREW: M3, BRASS, NICKEL PLATED.
- 2 SUITABLE FOR 1,6-2,4mm PC BOARD THICKNESS.
- 3 END-TO-END STACKABLE W/INTERLOCK WITHOUT LOSS OF CENTERLINE SPACING.
- 4 WIRE SIZE RANGE
 SOLID WIRE: 0,03-2,5mm² (13AWG).
 STRANDED WIRE: 0,03-1,5mm² (15AWG).
- 5 RECOGNIZED UNDER THE COMPONENT PROGRAM OF UNDERWRITERS LABORATORIES INC. FILE N° E60677.
- 6 IMQ CERTIFICATE WITH SURVEILLANCE IN CONFORMITY WITH IEC 998-1/998-2-1.
- 7 NOT CUMULATIVE TOLERANCE.



127.00	25	2-1546073-5
121.92	24	2-1546073-4
116.84	23	2-1546073-3
111.76	22	2-1546073-2
106.68	21	2-1546073-1
101.60	20	2-1546073-0
96.52	19	1-1546073-9
91.44	18	1-1546073-8
86.36	17	1-1546073-7
81.28	16	1-1546073-6
76.20	15	1-1546073-5
71.12	14	1-1546073-4
66.04	13	1-1546073-3
60.96	12	1-1546073-2
55.88	11	1-1546073-1
50.80	10	1-1546073-0
45.72	9	1546073-9
40.64	8	1546073-8
35.56	7	1546073-7
30.48	6	1546073-6
25.40	5	1546073-5
20.32	4	1546073-4
15.24	3	1546073-3
10.16	2	1546073-2
DIM A	No OF POS.	PART NUMBER

RECOMMENDED PCB LAYOUT



THIS DRAWING IS A CONTROLLED DOCUMENT.

DWN: E. ZANOLINI 16AUG2001
 CHK: D. BIEVENOUR 16AUG2001
 APVD: D. BIEVENOUR 16AUG2001

PRODUCT SPEC: 108-20166
 APPLICATION SPEC: 114-20079

MATERIAL:

TOLERANCES UNLESS OTHERWISE SPECIFIED:
 0 PLC ±-
 1 PLC ±.2
 2 PLC ±.15
 3 PLC ±-
 4 PLC ±-
 ANGLES ±2
 FINISH

NAME: STE TE Connectivity
 TERMINAL BLOCK PCB MOUNT
 TOP ENTRY WIRE, STACKING
 W/INTERLOCK, 5.08mm PITCH

SIZE: A2
 CAGE CODE: 00779
 DRAWING NO: 1546073
 RESTRICTED TO: -

CUSTOMER DRAWING SCALE: 4:1 SHEET 1 OF 1 REV: BI

单击下面可查看定价，库存，交付和生命周期等信息

[>>TE Connectivity\(泰科\)](#)