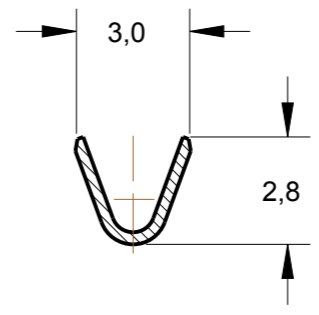
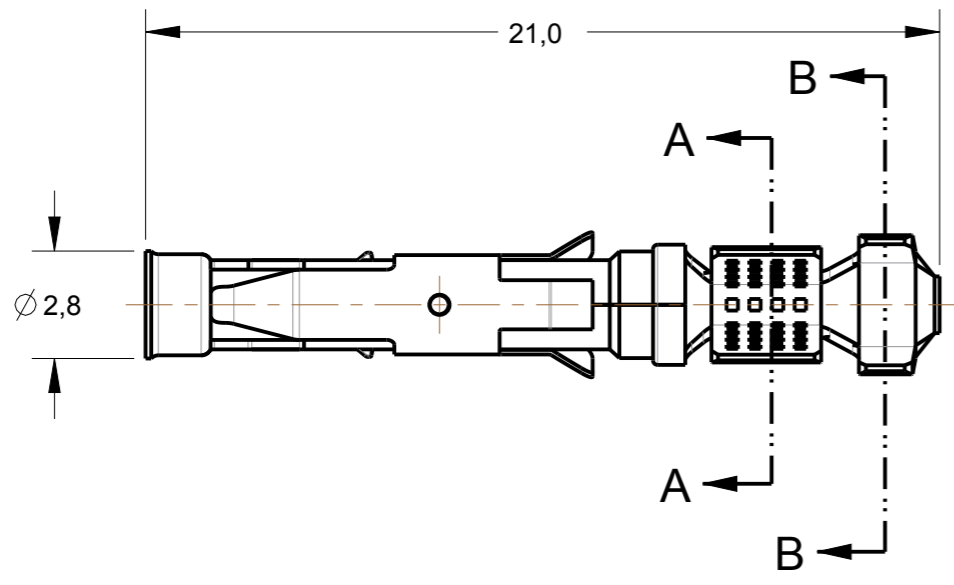


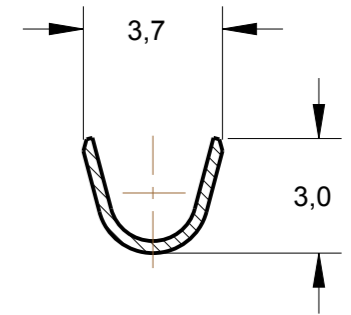
THIS DRAWING IS UNPUBLISHED. RELEASED FOR PUBLICATION 20
 © COPYRIGHT20 BY - ALL RIGHTS RESERVED.

creo
 Creo Parametric 3.0
 DO NOT REVISE
 EXCEPT BY CAD

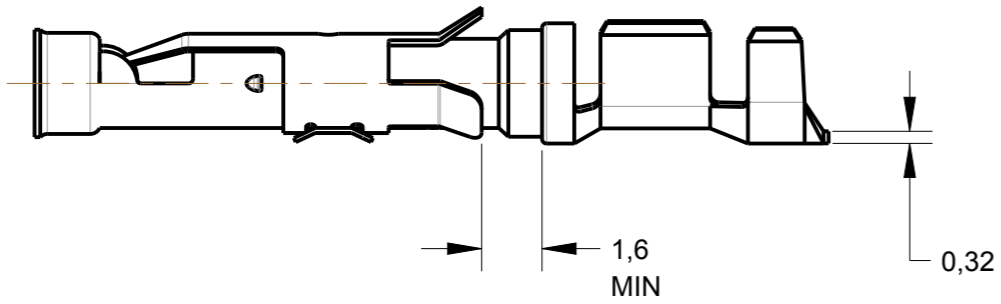
REVISIONS					
P	LTR	DESCRIPTION	DATE	DWN	APVD
	A1	REVISED DRAWING ECO-17-007396	23MAY2017	NCL	DAO



SECTION A-A
SCALE 5:1

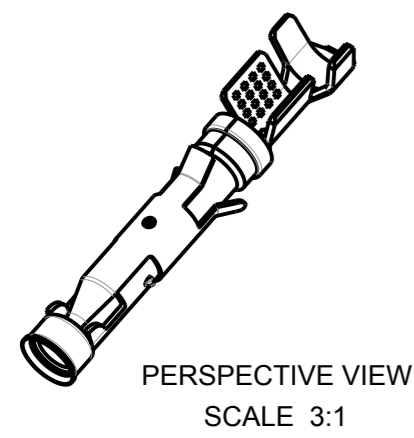


SECTION B-B
SCALE 5:1



1- MESMO QUE 163084, EXCETO PELA EXISTÊNCIA DA IDENTIFICAÇÃO DE CORES.
 - SAME AS 163084, BUT WITHOUT COLOUR IDENTIFICATION.

OBSOLETE	OURO SEL. / SEL.GOLD	LATÃO / BRASS	881460-2
	ESTANHADO / TIN	LATÃO / BRASS	881460-1
	FINISH	MATERIAL	PART NUMBER



INS.DIA.RANGE	WIRE RANGE
2,0-2,5 mm	0,75-1,50mm ²

THIS DRAWING IS A CONTROLLED DOCUMENT.		DWN 23MAY2017 NCLAPRESA	TE Connectivity	
DIMENSIONS: mm		CHK 23MAY2017 ELOPES		
TOLERANCES UNLESS OTHERWISE SPECIFIED:		APVD 23MAY2017 DAOLIVEIRA	NAME SOCKET TYPE III CONTACT SIZE 16	
0 PLC ±-		PRODUCT SPEC	-	
1 PLC ±0,3		APPLICATION SPEC	-	
2 PLC ±-		WEIGHT	-	
3 PLC ±-		CUSTOMER DRAWING	-	
4 PLC ±-		SCALE 4:1	-	
ANGLES ±1°		SHEET 1 OF 1	-	
MATERIAL SEE TABLE	FINISH SEE TABLE	SIZE A3	CAGE CODE -	DRAWING NO C-881460
-		RESTRICTED TO	-	
-		REV A1	-	

单击下面可查看定价，库存，交付和生命周期等信息

[>>TE Connectivity\(泰科\)](#)