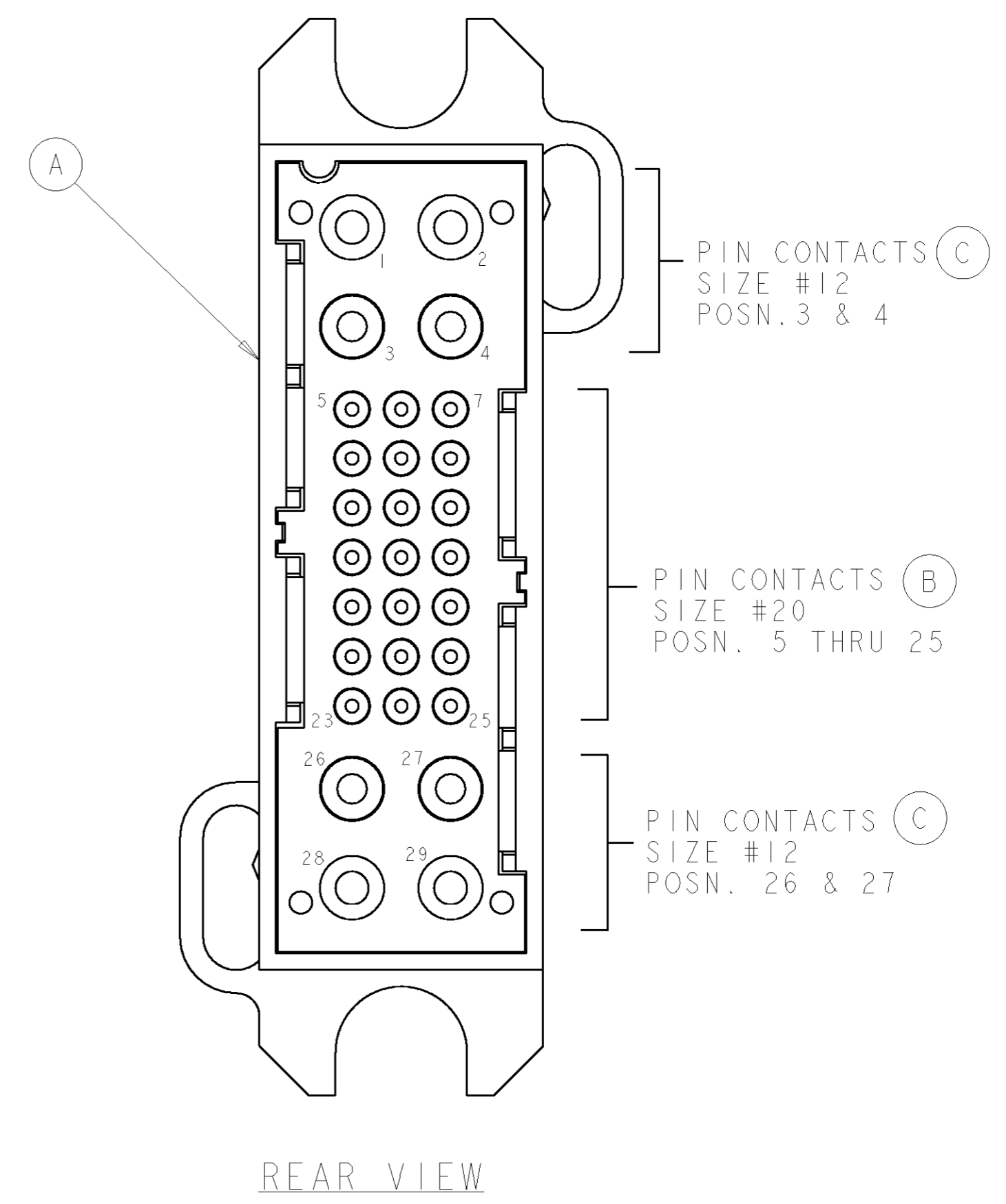
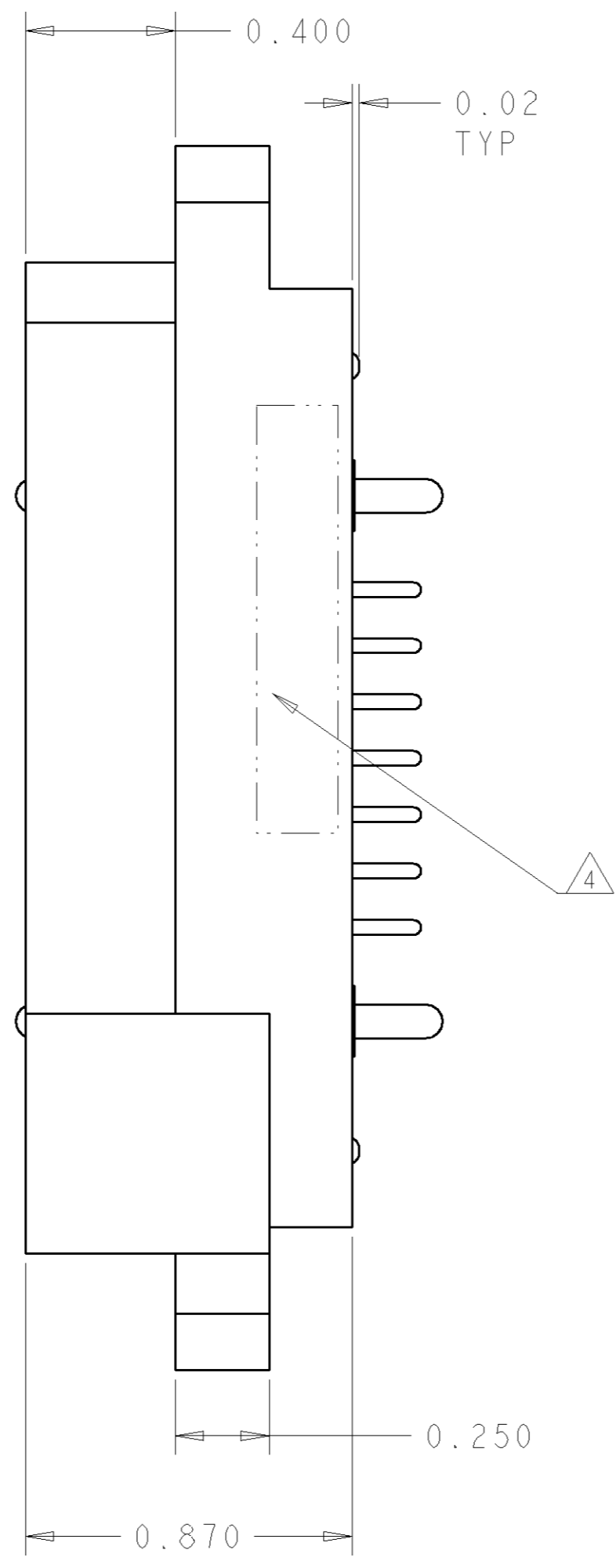
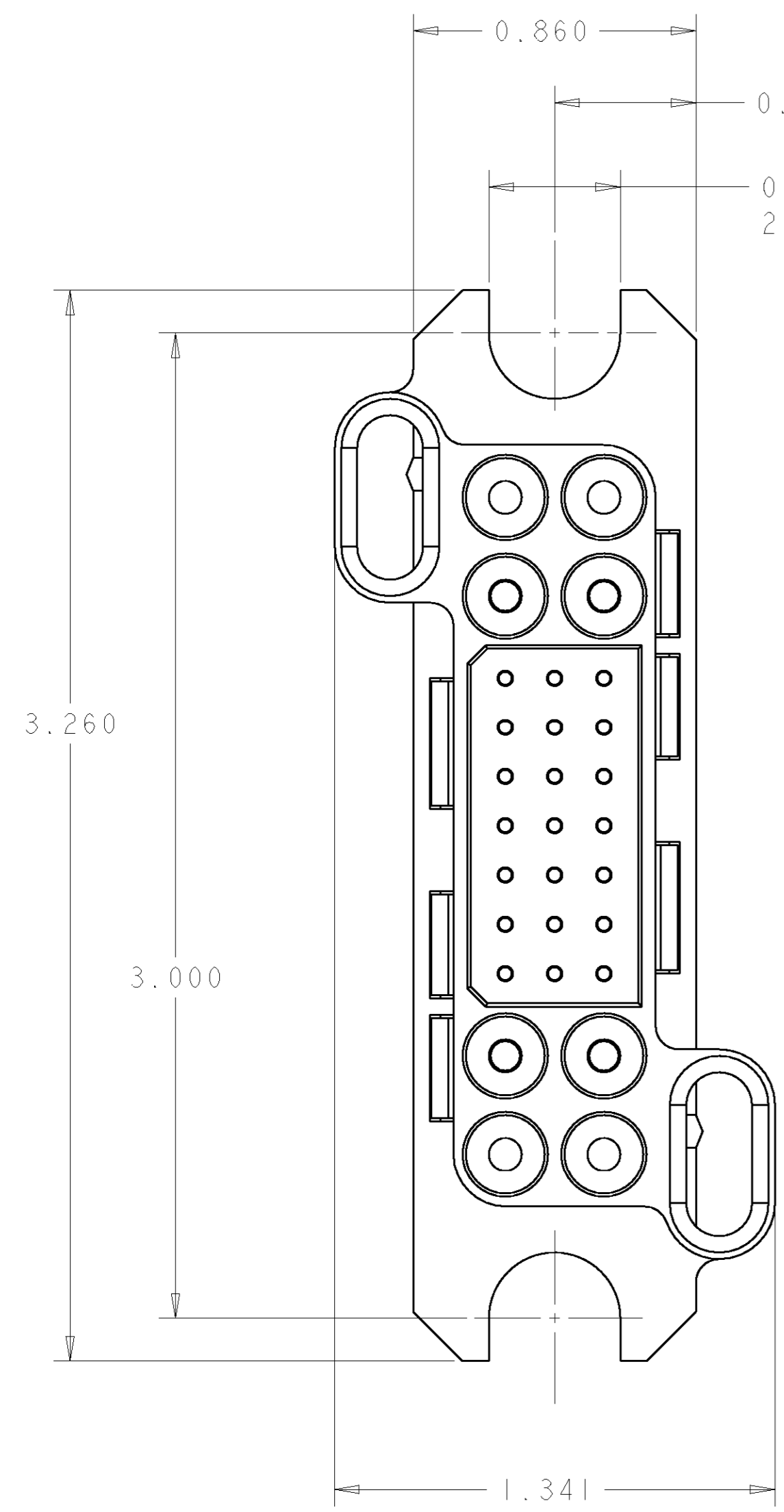


LOC	DIST	REVISIONS					
GP	00	P	LTR	DESCRIPTION	DATE	DWN	APVD
		A		NEW RELEASE	19APR2007	RG	DO



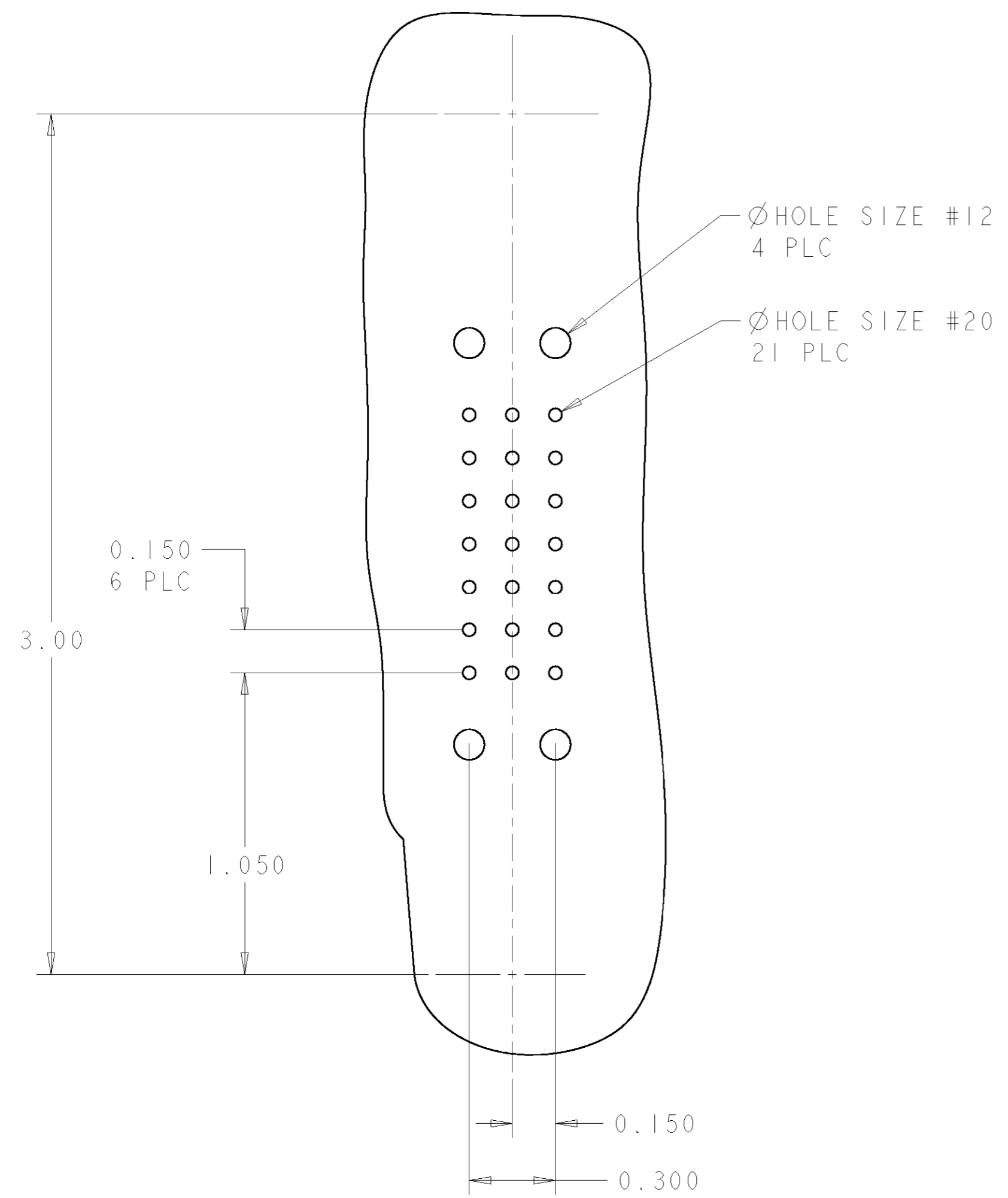
AS SHOWN	1926503-1
DESCRIPTION	PART NUMBER

THIS DRAWING IS A CONTROLLED DOCUMENT FOR TYCO ELECTRONICS CORPORATION IT IS SUBJECT TO CHANGE AND THE CONTROLLING ENGINEERING ORGANIZATION SHOULD BE CONTACTED FOR THE LATEST REVISION.		DWN R. GRZYBOWSKI 19APR07 CHK D. ORRIS 19APR07 APVD S. FLICKINGER 19APR07	tyco Electronics Tyco Electronics Harrisburg, PA 17105-3608
DIMENSIONS: INCHES 	TOLERANCES UNLESS OTHERWISE SPECIFIED: 0 PLC ± 1 PLC ± 2 PLC ±.02 3 PLC ±.010 4 PLC ± ANGLES ±.5 FINISH	PRODUCT SPEC APPLICATION SPEC WEIGHT CUSTOMER DRAWING	NAME CONNECTOR ASSEMBLY PIN LOWER DRAWER SIZE CAGE CODE DRAWING NO RESTRICTED TO A200779G-1926503 - SCALE 3:1 SHEET 1 OF 2 REV A

ELCON LOWER DRAWER

THIS DRAWING IS UNPUBLISHED. RELEASED FOR PUBLICATION 20
 © COPYRIGHT 20 BY TYCO ELECTRONICS CORPORATION. ALL RIGHTS RESERVED.

LOC	DIST	REVISIONS					
GP	00	P	LTR	DESCRIPTION	DATE	DWN	APVD
		-		SEE SHEET 1			



- PART NUMBER CHANGES AND OR DESIGN CHANGES AFFECTING THE INTERCHANGEABILITY REQUIRE PRIOR TYCO APPROVAL AND AUTHORIZATION BY REVISION TO THIS DRAWING.
- MATERIAL:
 INSULATOR: THERMOPLASTIC, GLASS REINFORCED, UL 94V-0
 FLAMMABILITY RATED, COLOR: BLACK
 CONTACT SIZE #20: COPPER ALLOY
 CONTACT SIZE #12: COPPER ALLOY
 RETENTION CLIP: BERYLLIUM COPPER OR STAINLESS STEEL
- FINISH:
 CONTACTS SIZE #20 BODY : GOLD .000030 MIN THK.
 OVER NICKEL .00040 MIN THK.
 CONTACTS SIZE #12 BODY : SILVER .000200 MIN THK.
 OVER NICKEL .00040 MIN THK.

△ ITEMS PROVIDED TO THIS SPECIFICATION TO BE PERMANENTLY IDENTIFIED PER THE FOLLOWING IDENTIFIER:

YEAR WEEK

TYCO PART NUMBER DATE CODE (e.g. 0216)

XXXXXXXX-X XXXX

△ SOLDER TAIL CONTACTS (ITEMS B & C) ARE INSERTABLE/NON-REMOVABLE.

PRINTED CIRCUIT BOARD LAYOUT
 VIEW FROM CONNECTOR MOUNTING SIDE

HOLE SIZE #12
 DRILLED HOLE: $\varnothing .1065 \pm .0005$
 COPPER PLATE: .0010 MIN
 TIN PLATE: .00030 MIN

HOLE SIZE #20
 DRILLED HOLE: $\varnothing .0453 \pm .0005$
 COPPER PLATE: .0010 MIN
 TIN PLATE: .00030 MIN

ELCON LOWER DRAWER

△ 4	1766245-1	CONTACT, PIN, #12, SOLDER TAIL, STD	C
△ 21	1650283-1	CONTACT, PIN, #20, SOLDER TAIL, STD	B
1	1648203-2	HOUSING, PIN, FLOAT MOUNT	A
-1	PART NUMBER	DESCRIPTION	ITEM

<small>THIS DRAWING IS A CONTROLLED DOCUMENT FOR TYCO ELECTRONICS CORPORATION. IT IS SUBJECT TO CHANGE AND THE CONTROLLING ENGINEERING ORGANIZATION SHOULD BE CONTACTED FOR THE LATEST REVISION.</small>		DWN R. GRZYBOWSKI 19APR07	Tyco Electronics Harrisburg, PA 17105-3608	
DIMENSIONS: INCHES 		CHK D. ORRIS 19APR07	NAME CONNECTOR ASSEMBLY PIN LOWER DRAWER	
TOLERANCES UNLESS OTHERWISE SPECIFIED: 0 PLC ± 1 PLC ± 2 PLC ±.02 3 PLC ±.010 4 PLC ± ANGLES ±.5 FINISH		APVD S. FLICKINGER 19APR07	SIZE A200779	
MATERIAL		PRODUCT SPEC	DRAWING NO G-1926503	
		APPLICATION SPEC	RESTRICTED TO	
		WEIGHT	SCALE 3:1 SHEET 2 OF 2 REV A	
		CUSTOMER DRAWING		

单击下面可查看定价，库存，交付和生命周期等信息

[>>TE Connectivity\(泰科\)](#)