

Molded Parts Specification Control Drawing

Part Number : 222K132 thru 185-XXXX
Description : Boot, 90°, With Lip, Shielded

NOTES

- All dimensions are in $\frac{\text{inches}}{\text{[millimeters]}}$
- Dimensions appearing in table are as follows:
 - a - As Supplied
 - b - After Unrestricted Recovery
- Parts 222K174 and 222K185 are not available in -100S material
- If eyelet clip (000W212) is required with part then add CS-1858 to description (i.e. 202K121-3-0-CS-1858).

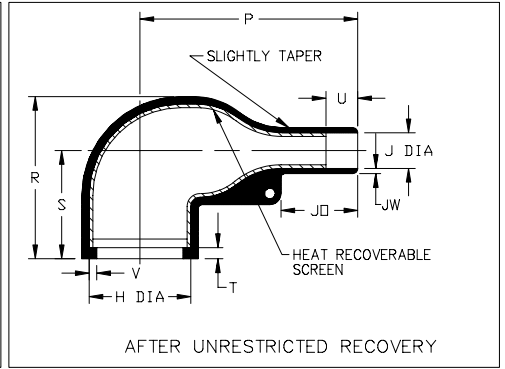
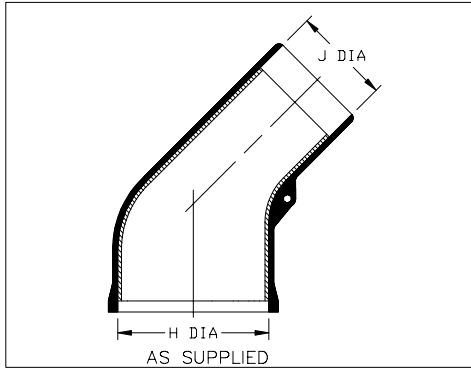


TABLE OF DIMENSIONS

PART NUMBER	H			J			P			R ±10%	S Ref b	T Ref b	U		V Ref b	JO		HW		JW	
	-3 Min a	-25,-100 Min a	Max b	-3 Min a	-25,-100 Min a	Max b	-3 Ref b	-25 Ref b	-100 Ref b				-3,-25 ±20% b	-100 ±20% b		-3,-25 ±10% b	-100 ±10% b	-3,-25 ±30% b	-100 ±30% b	-3,-25 ±30% b	-100 ±30% b
222K132	.94 [24,0]	.79 [20,0]	.56 [14,2]	.59 [15,0]	.51 [13,0]	.24 [6,0]	1.38 [35,0]	1.38 [35,0]	1.26 [32,0]	1.06 [27,0]	.79 [20,0]	.12 [3,0]	.30 [7,5]	.20 [5,0]	.04 [1,0]	.59 [15,0]	.31 [8,0]	.06 [1,5]	.08 [2,0]	.04 [1,0]	.03 [0,8]
222K142	1.22 [31,0]	.98 [25,0]	.71 [18,0]	.71 [18,0]	.63 [16,0]	.28 [7,2]	1.54 [39,0]	1.46 [37,0]	1.46 [37,0]	1.22 [31,0]	.75 [19,0]	.12 [3,0]	.30 [7,5]	.30 [7,5]	.04 [1,0]	.59 [15,0]	.59 [15,0]	.07 [1,8]	.07 [1,8]	.04 [1,0]	.04 [1,0]
222K152	1.42 [36,0]	1.18 [30,0]	.88 [22,4]	.87 [22,0]	.79 [20,0]	.33 [8,5]	1.81 [46,0]	1.65 [42,0]	1.65 [42,0]	1.50 [38,0]	.75 [19,0]	.12 [3,0]	.30 [7,5]	.30 [7,5]	.04 [1,0]	.59 [15,0]	.59 [15,0]	.07 [1,8]	.07 [1,8]	.04 [1,0]	.04 [1,0]
222K163	1.69 [43,0]	1.50 [38,0]	1.11 [28,2]	1.02 [26,0]	.98 [25,0]	.39 [10,0]	2.17 [55,0]	2.17 [55,0]	2.17 [55,0]	1.77 [45,0]	.98 [25,0]	.12 [3,0]	.31 [8,0]	.31 [8,0]	.07 [1,7]	.63 [16,0]	.63 [16,0]	.08 [2,0]	.08 [2,0]	.04 [1,0]	.04 [1,0]
222K174	1.85 [47,0]	1.77 [45,0]	1.38 [35,1]	1.42 [36,0]	1.30 [33,0]	.62 [15,8]	3.15 [80,0]	2.95 [75,0]	2.95 [75,0]	2.13 [54,0]	1.38 [35,0]	.12 [3,0]	.71 [18,0]	0.71 [18,0]	.07 [1,7]	1.18 [30,0]	1.18 [30,0]	.13 [3,3]	0.13 [3,3]	.06 [1,5]	0.06 [1,5]
222K185	2.24 [57,0]	2.24 [57,0]	1.79 [45,4]	1.73 [44,0]	1.73 [44,0]	.62 [15,7]	4.25 [108,0]	4.25 [108,0]	4.25 [108,0]	2.68 [68,0]	1.65 [42,0]	.12 [3,0]	.79 [20,0]	0.79 [20,0]	.07 [1,7]	1.89 [48,0]	1.89 [48,0]	.13 [3,3]	0.13 [3,3]	.08 [2,0]	0.08 [2,0]



TYCO ELECTRONICS
300 CONSTITUTION DRIVE
MENLO PARK, CALIFORNIA 94025

Revision : K
Date : 3/03/03

Part Number : 222K132 thru 185-XXXX
Description : Boot, 90°, With Lip, Shielded

Molded Parts Specification Control Drawing

Part Number : 222K132 thru 185-XXXX
Description : Boot, 90°, With Lip, Shielded

MATERIAL DASH NO.	MATERIAL DESCRIPTION	RT SPEC	COATING SLASH NO.	COATING S NO.	COATING DESCRIPTION
-3S	Polyolefin/Copper Composite	RT-1370			
-25S	Elastomer,Fluid Resistant/Copper Composite	RT-1371			
-100S	Zerohal/Copper Composite				

If this document is printed it becomes uncontrolled.
Check for the latest revision.

ORDERING INFORMATION

222K1XX -XXX -XX /XXX

Base part number _____

Material dash number _____
(See Compatibility Chart)

Modification number _____
(If necessary, see front of scd binder for a complete list)

Adhesive slash number _____
(If necessary, see Compatibility Chart)

THIS DRAWING IS SUBJECT TO CHANGE WITHOUT NOTICE; CONSULT YOUR NEAREST FIELD REPRESENTATIVE FOR CURRENT REVISION



TYCO ELECTRONICS
300 CONSTITUTION DRIVE
MENLO PARK, CALIFORNIA 94025

Revision : K
Date : 3/03/03

Part Number : 222K132 thru 185-XXXX
Description : Boot, 90°, With Lip, Shielded

单击下面可查看定价，库存，交付和生命周期等信息

[>>TE Connectivity\(泰科\)](#)