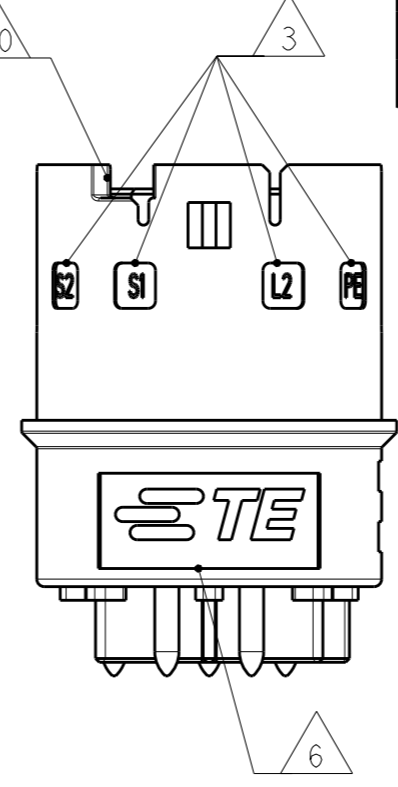
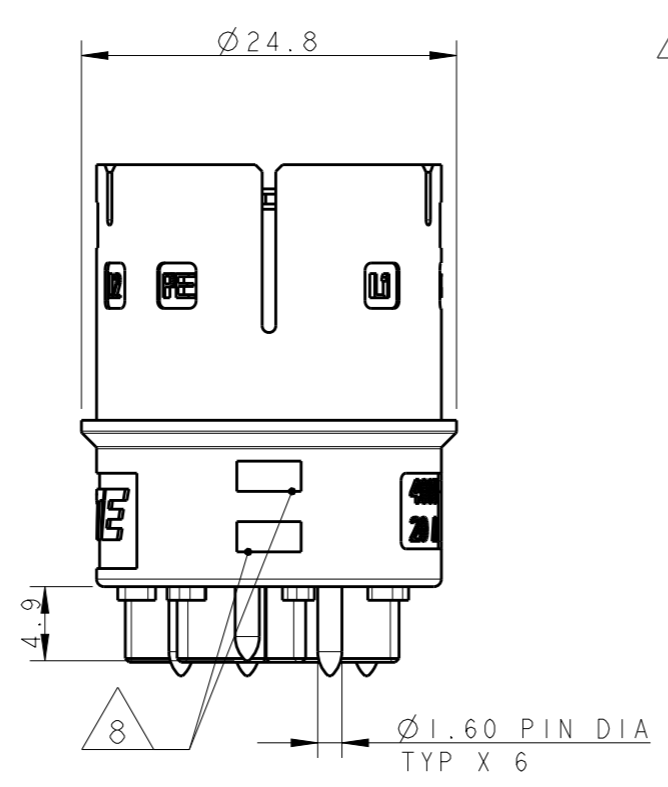
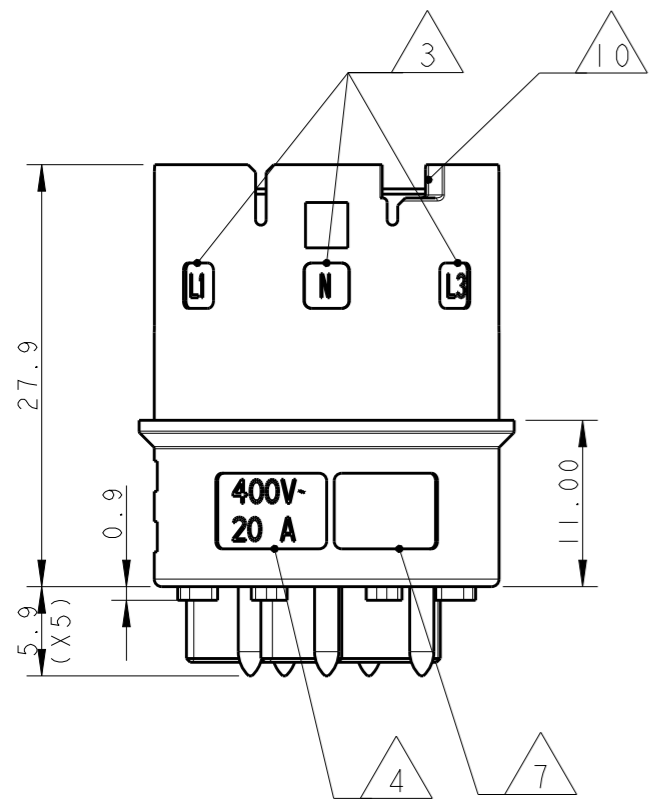
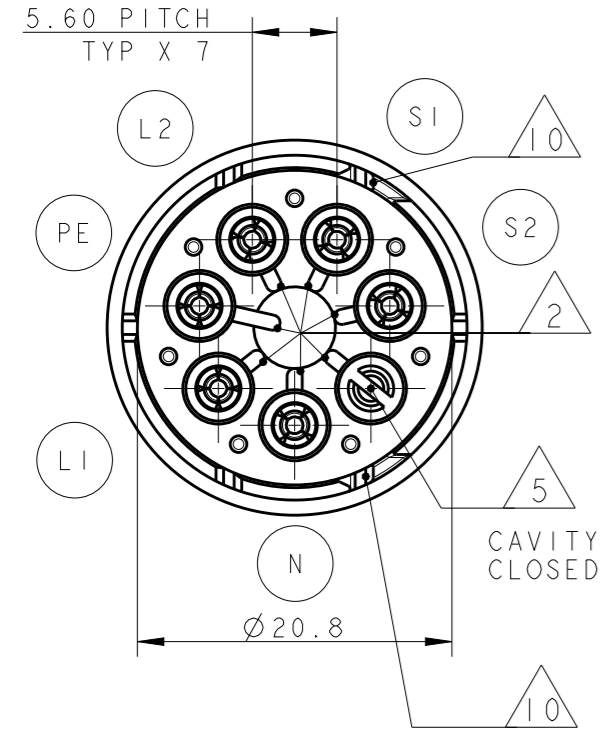


THIS DRAWING IS UNPUBLISHED. RELEASED FOR PUBLICATION 2011  
 © COPYRIGHT 2011 BY - ALL RIGHTS RESERVED.

LOC	DIST	REVISIONS			
P	LTR	DESCRIPTION	DATE	DWN	APVD
1	-	5	UPDATED	07JUN2011	AB GT
		6	UPDATED	23JUL2013	MZ JC
		A	PARTS RELEASED FOR PRODUCTION	13NOV2013	KR JC
		AI	REVISED PER ECR-18-006945	30MAY2018	NG MZ



- NOTES:
- 1 MATERIAL: PA GF (NATURAL)  
- HOUSING: PA GF  
- CONTACTS: BRASS TIN PLATED
  - 2 ALL POLARIZATION KEYS SHOWN FOR REF ONLY
  - 3 WAYS I.D.
  - 4 VOLTAGE AND CURRENT RATINGS
  - 5 RIB CLOSING CAVITY BY CHANGE OVER
  - 6 TE LOGO
  - 7 AREA FOR AGENCIES APPROVAL LOGO
  - 8 VISUAL INDICATOR FOR PE CONDUCTOR
  - 9) SEE C-DRAWING 293682 (LOCKING CAP) TO GET IP 40
  - 10 SLOTS TO ALLOW DELATCHING TOOL OPERATION. FOR DELATCHING TOOL AND OPERATION REFER TO APPLICATION SPECIFICATION



**PCB CUT-OUT AND HOLES DIMENSIONS (±0.03)**

**BOTTOM VIEW**

TOP VIEW

SCALE 1:1

Ø12.91  
PIN HOLES CENTER PLACED ALONG VERTEX OF HEPTAGON FIGURE INSCRIBED INTO CIRCLE 12.91MM DIA.

Ø1.80 TYP X 5

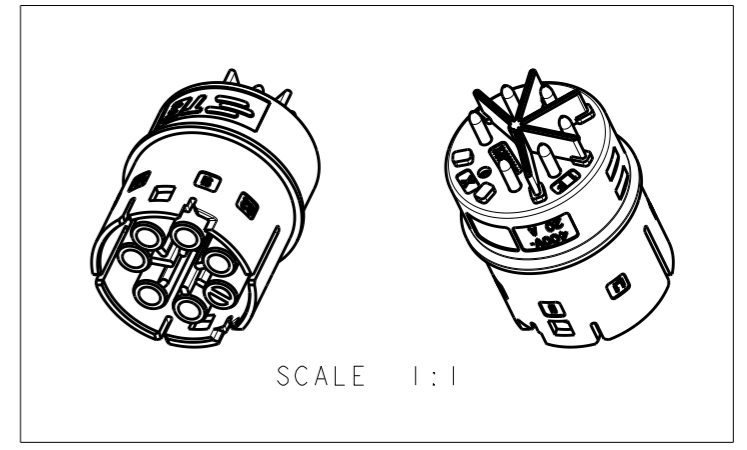
9.60 TYP X 5

5.60 TYP X 5

R1.25

1.00 TYP X 5

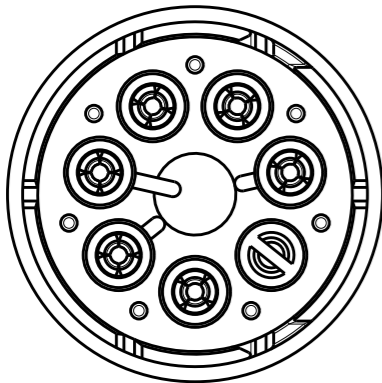
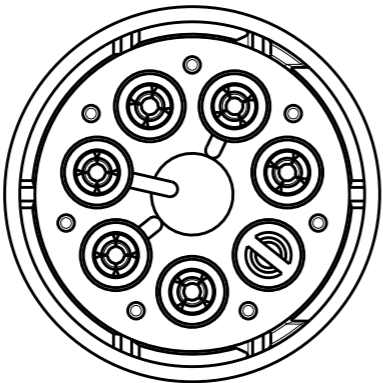
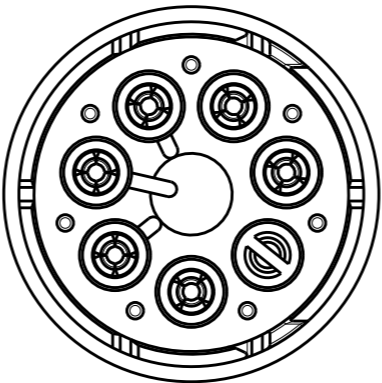
**RACOMANDED PCB THICKNESS 1.6±0.06, PATH THICKNESS 0.07, PATH WIDTH 7.50±0.05 FOR LINES, PE, NEUTRAL**

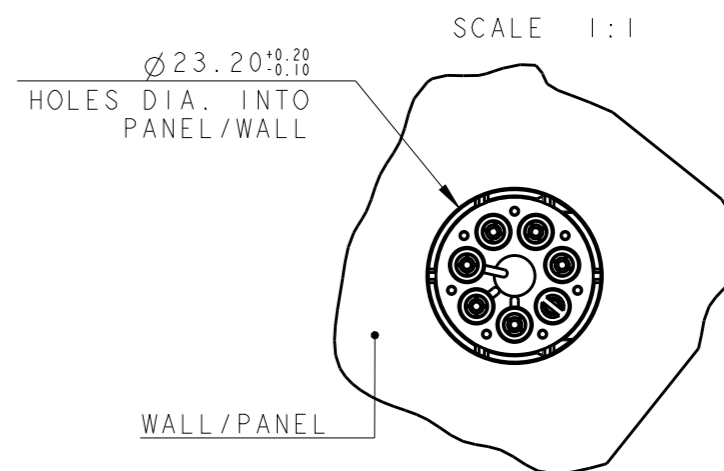
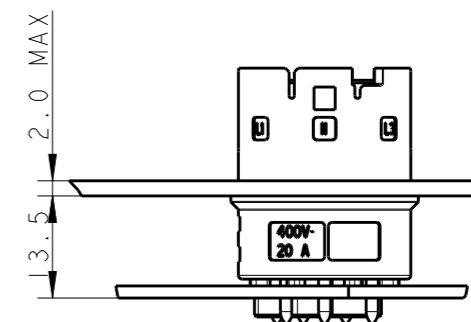


THIS DRAWING IS A CONTROLLED DOCUMENT.		DWN A. BERNARDI 31MAR2011	TE Connectivity	
DIMENSIONS: mm		CHK -		
TOLERANCES UNLESS OTHERWISE SPECIFIED:		APVD G. TURCO 31MAR2011	NAME SOCKET 6 POLES PCB CONNECTOR NECTOR M-LINE	
0 PLC ±-		PRODUCT SPEC 108-20324	SIZE A300779	
1 PLC ±0.3		APPLICATION SPEC 114-20169	CAGE CODE C-293671	
2 PLC ±0.2		WEIGHT -	DRAWING NO -	
3 PLC ±-		Customer Drawing	RESTRICTED TO -	
4 PLC ±-		SCALE 2:1	SHEET 1 OF 2	
ANGLES ±3°			REV AI	
FINISH -				


LOC	DIST	REVISIONS					
		P	LTR	DESCRIPTION	DATE	DWN	APVD
1	-	-	-	SEE SHEET 1	-	-	-

### POLARIZATION TYPES

POLARIZATION TYPE "C"	POLARIZATION TYPE "D"	POLARIZATION TYPE "E"
		
PNs 0-293671-3	PNs <del>0-293671-4</del>	PNs <del>0-293671-5</del>



OBSOLETE		E	NATURAL	SOCKET PCB CONN 6 POLES NECTOR* M-LINE	A	<del>0-293671-5</del>
		D	NATURAL	SOCKET PCB CONN 6 POLES NECTOR* M-LINE	A	<del>0-293671-4</del>
		C	NATURAL	SOCKET PCB CONN 6 POLES NECTOR* M-LINE	A	0-293671-3
<b>NOTE</b>	<b>POL. KEYING</b>	<b>COLOUR</b>	<b>DESCRIPTION</b>	<b>REV.</b>	<b>P/N</b>	

THIS DRAWING IS A CONTROLLED DOCUMENT.		DWN A. BERNARDI 31MAR2011	 TE Connectivity			
DIMENSIONS: mm		CHK -				
TOLERANCES UNLESS OTHERWISE SPECIFIED:		APVD G. TURCO 31MAR2011	NAME SOCKET 6 POLES PCB CONNECTOR NECTOR M-LINE			
0 PLC ±- 1 PLC ±0.3 2 PLC ±0.2 3 PLC ±- 4 PLC ±- ANGLES ±3°		PRODUCT SPEC 108-20324	SIZE A300779			
MATERIAL -		FINISH -	APPLICATION SPEC 114-20169	DRAWING NO C-293671		RESTRICTED TO -
Customer Drawing			WEIGHT -	SCALE 2:1		SHEET 2 OF 2
			REV A1			

单击下面可查看定价，库存，交付和生命周期等信息

[>>TE Connectivity\(泰科\)](#)