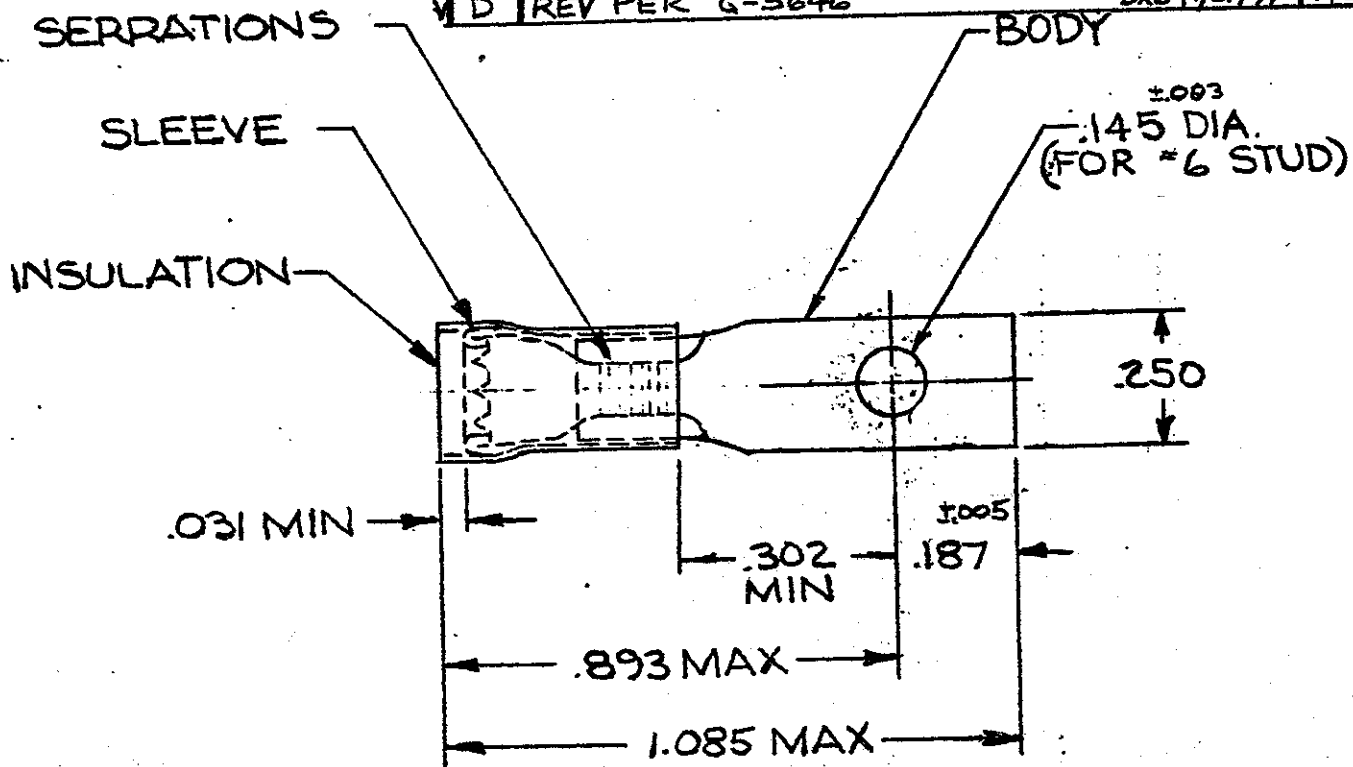


DRAWING MADE IN AMERICAN PROJECT ION

© 1962 BY AMP INCORPORATED. ALL RIGHTS RESERVED. AMP PRODUCTS COVERED BY PATENTS AND/OR PATENTS PENDING.

REVISIONS			
LTR	DESCRIPTION	DATE	APPROVED
A	REDRAWN, REV & ADDED TAPE NO. P6080 ²	4-21-70	FLY
B	OBS. 2--1 REV G 2591	BT 10-21-87	PMF
C	REV PER G4732	JT 7/26/88	DJK
D	REV PER G-5646	DKS 1/21/91	MEU



TONGUE MATERIAL THK = .040^{±.002}
FOR .150 TO .230 WIRE INS. DIA.

1	329697 ON TAPE	2-329697-1 OBSOLETE	INSULATION: NYLON COLOR: YELLOW SLEEVE: COPPER (QQ-C-576)
1	WIRE TERMINAL	329697	BODY: COPPER (QQ-C-576) TIN PL (MIL-T-10727)
QTY	DESCRIPTION	PART NO.	MATERIAL & FINISH
UNLESS OTHERWISE SPECIFIED DIMENSIONS ARE IN INCHES TOLERANCES ON: DECIMALS ±.003 ANGLES ± 5°		CONTRACT NO. 4	 AMP INCORPORATED HARRISBURG, PENNSYLVANIA
MATERIAL		DR. <i>Sturtevant</i> 4-15-70 CHK <i>Holl</i> 4-21-70 APPD <i>Swickell</i> 4-21-70 REL <i>JM Cronin</i> 4-21-70	
SEE TABLE		USGN APPD	SIZE A CODE IDLNT NO. 00779 NUMBER 329697
		OTHER APPD	SCALE NTS SHEET 1 OF 1

单击下面可查看定价，库存，交付和生命周期等信息

[>>TE Connectivity\(泰科\)](#)