

4

3

2

1

THIS DRAWING IS UNPUBLISHED.

RELEASED FOR PUBLICATION

20

© COPYRIGHT 20

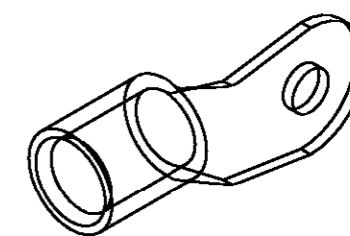
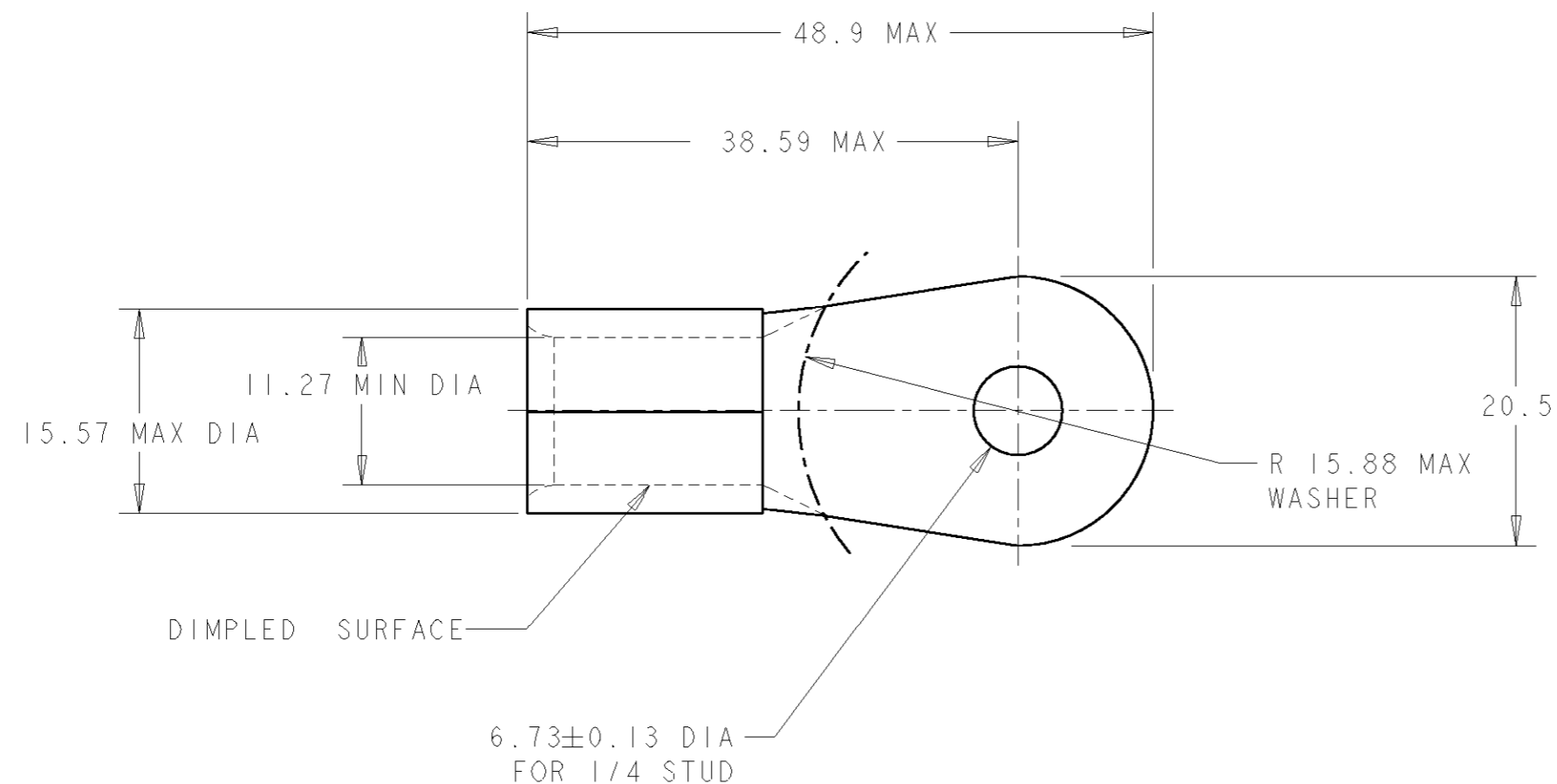
BY TYCO ELECTRONICS CORPORATION. ALL RIGHTS RESERVED.

LOC

DIST

REVISIONS

P	LTR	DESCRIPTION	DATE	DWN	APVD
	C	P/N REACTIVATED	03OCT2003	JJD	-

TONGUE MATERIAL THICKNESS 1.78 ± 0.08 mm

SCALE 1:1

PART NUMBER : 323179-0

DIMENSIONS:		TOLERANCES UNLESS OTHERWISE SPECIFIED:		TYCO Electronics		TYCO ELECTRONICS France SAS	
mm				G-ROBERT		BP 39, 95301 CERGY-PONTOISE Cedex	
		0 PLC	±-	Y-PETRONIN		NAME	
		1 PLC	±0.5	PRODUCT SPEC		WIRE TERMINAL, SOLISTRAND	
		2 PLC	±0.13	APPLICATION SPEC		STRATO-THERM, RING TONGUE	
		3 PLC	±0.013			WIRE SIZE : 1/0	
		4 PLC	±0.0001			SIZE	CAGE CODE
		ANGLES	±-			A3	00779
MATERIAL COPPER (QQ-C-576)		FINISH NICKEL PL (QQ-N-290)		WEIGHT -		DRAWING NO C=323179	
						RESTRICTED TO -	
				SCALE 2:1		SHEET 1 OF 1	
						REV C	

单击下面可查看定价，库存，交付和生命周期等信息

[>>TE Connectivity\(泰科\)](#)