

LOC	DIST	REVISIONS					
		P	LTR	DESCRIPTION	DATE	DWN	APVD
A1	-		A1	PART NUMBER CHANGED TO TYCO ELECTRONICS	08DEC2000	ACK	GF

SEE TYCO DRAWING SIEHE TYCO - ZEICHNUNG	C - 1 393 532 - 1
--	-------------------


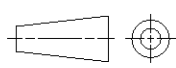
IS EQUIVALENT TO EC - COMPONENT C42334-A368-A15
ENTSPRICHT EC - KOMPONENTE C42334-A368-A15

2000

RELEASED FOR PUBLICATION

THIS DRAWING IS UNPUBLISHED.

© COPYRIGHT 2000 BY TYCO ELECTRONICS CORPORATION. ALL RIGHTS RESERVED.

DIMENSIONS: mm		DWN G. ACKERMANN	08DEC2000	MATERIAL	-	FINISH	-
TOLERANCES UNLESS OTHERWISE SPECIFIED:		CHK M. SCHLEIHAUF	-	 tyco Electronics AMP GmbH D - 67346 Speyer			
		APVD G. FELDMER	-				
0 PLC ± 1 PLC ± 2 PLC ± 3 PLC ± 4 PLC ± ANGLES ±°		PRODUCT SPEC		NAME			
		-		STECKVERBINDER BK - DIL 368 CONNECTOR			
		APPLICATION SPEC		SIZE	CAGE CODE	DRAWING NO	RESTRICTED TO
		114 - 18415		A 4	00779	C=1393532-2	-
		WEIGHT		CUSTOMER DRAWING			
		-		SCALE	1:1	SHEET 1 OF 1	REV A1

单击下面可查看定价，库存，交付和生命周期等信息

[>>TE Connectivity\(泰科\)](#)