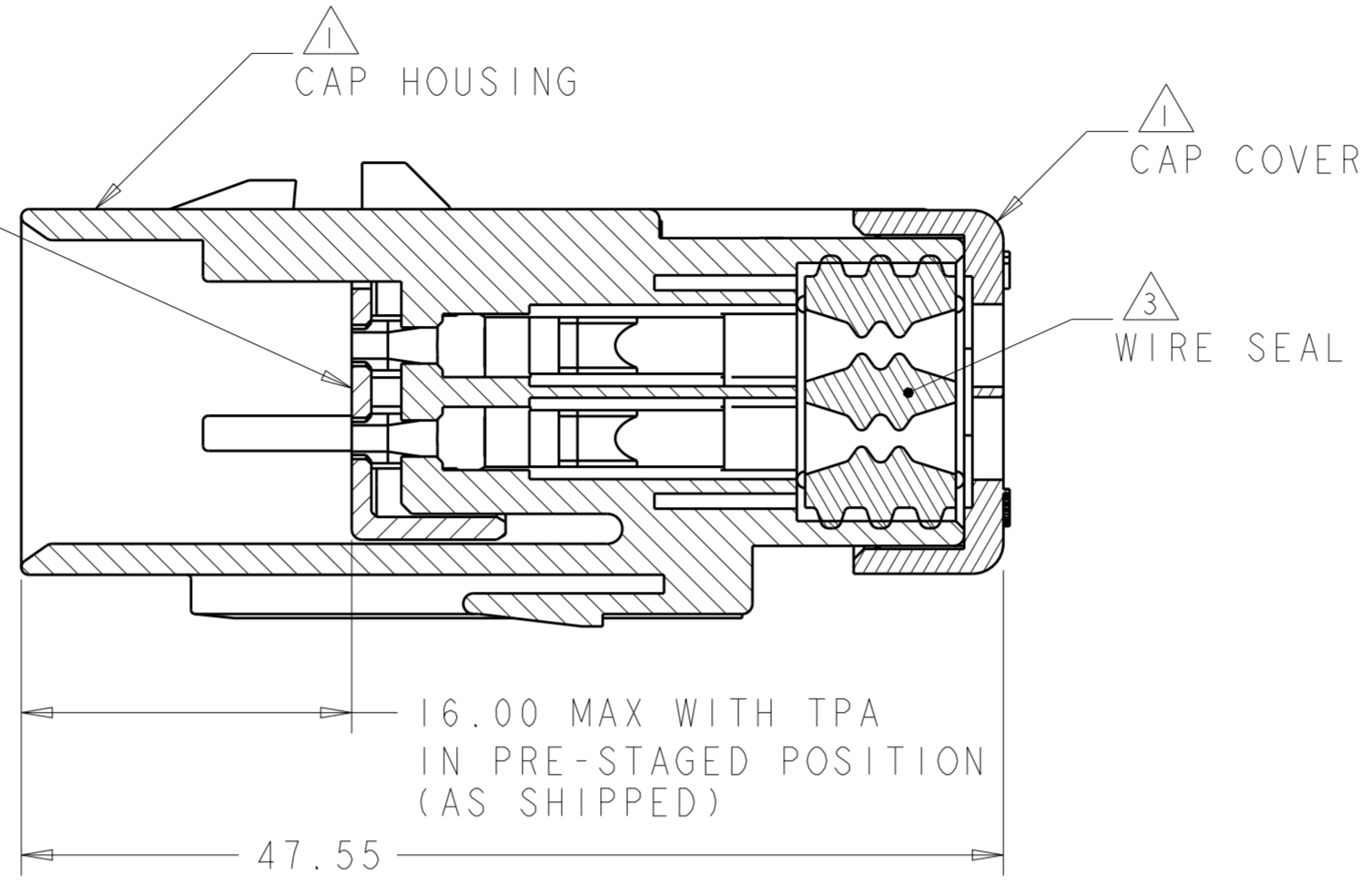
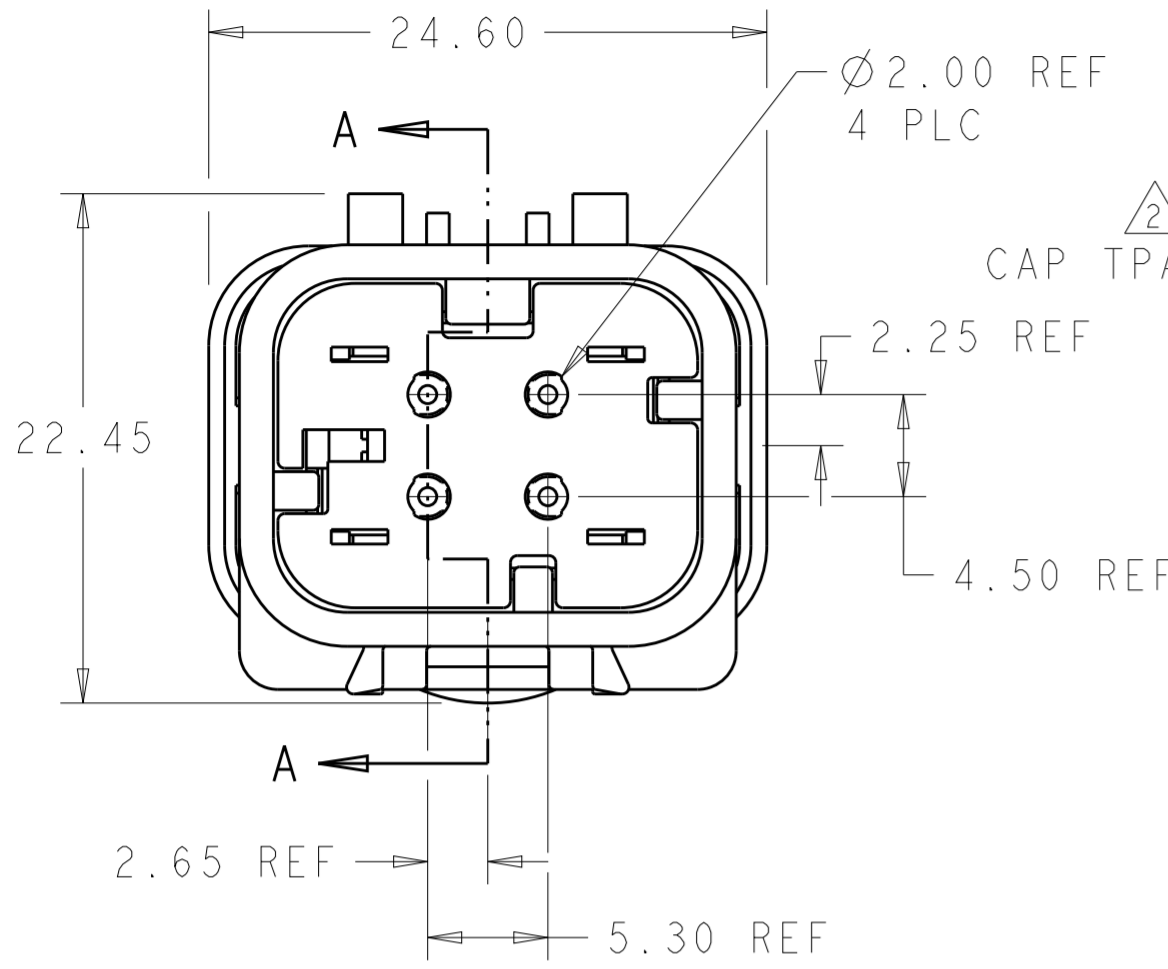


THIS DRAWING IS UNPUBLISHED
 RELEASED FOR PUBLICATION
 20
 COPYRIGHT 20 BY - ALL RIGHTS RESERVED.

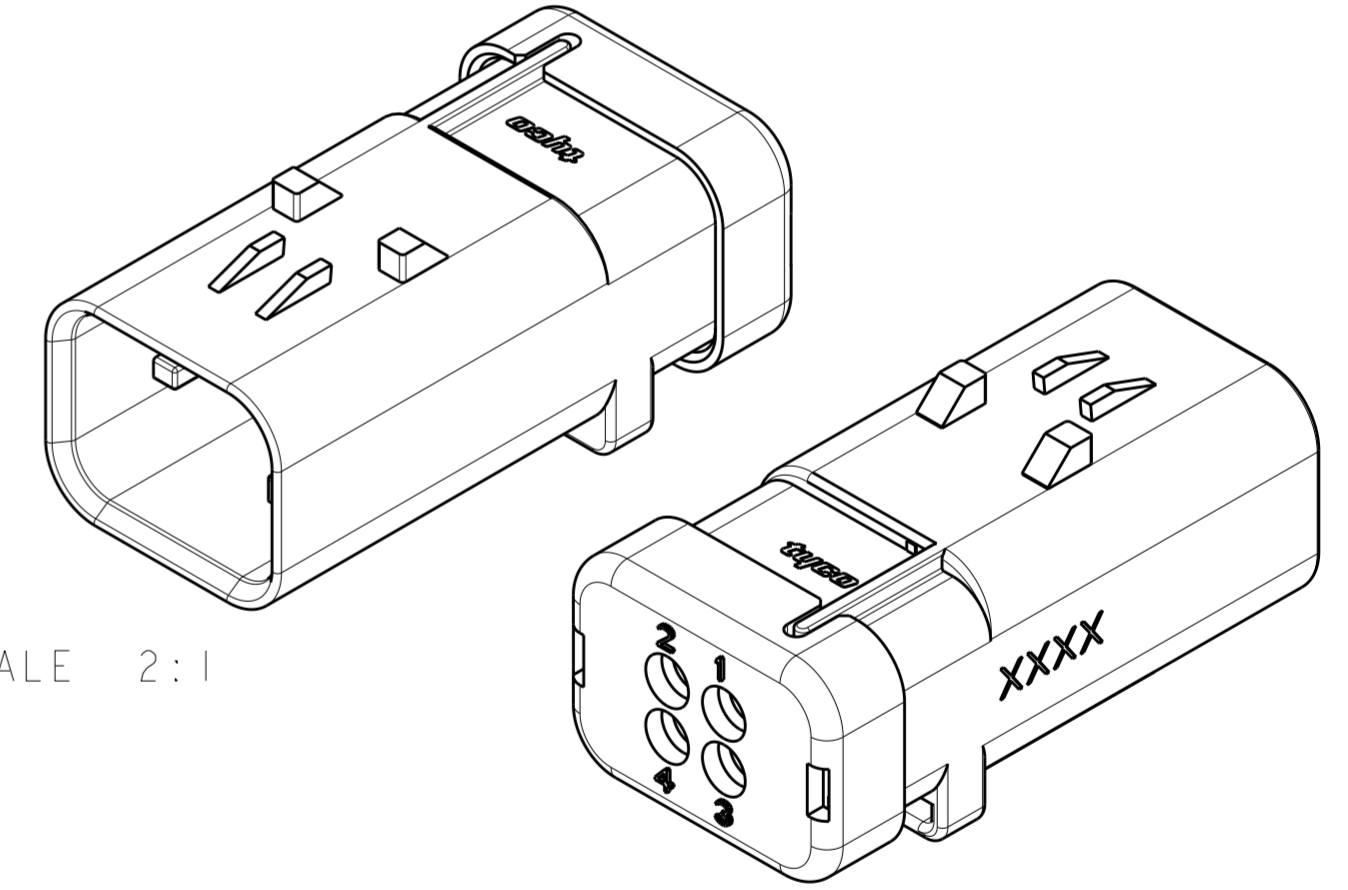
REVISIONS					
P	LTR	DESCRIPTION	DATE	DWN	APVD
A		RELEASED PER ECO-09-026562	30NOV2009	DD	RB
B		REVISED PER ECO-13-019865	27DEC2013	DR	RB



- ① HOUSING AND COVER MATERIAL: 25% GLASS FILLED THERMOPLASTIC; COLOR: NATURAL
- ② TPA MATERIAL: 20% GLASS FILLED THERMOPLASTIC, COLOR: (SEE TABLE)
- ③ WIRE SEAL MATERIAL: SILICONE COLOR: RUST
- 4. RECOMMENDED WIRE DIAMETER RANGE IS 1.30 TO 2.54 mm

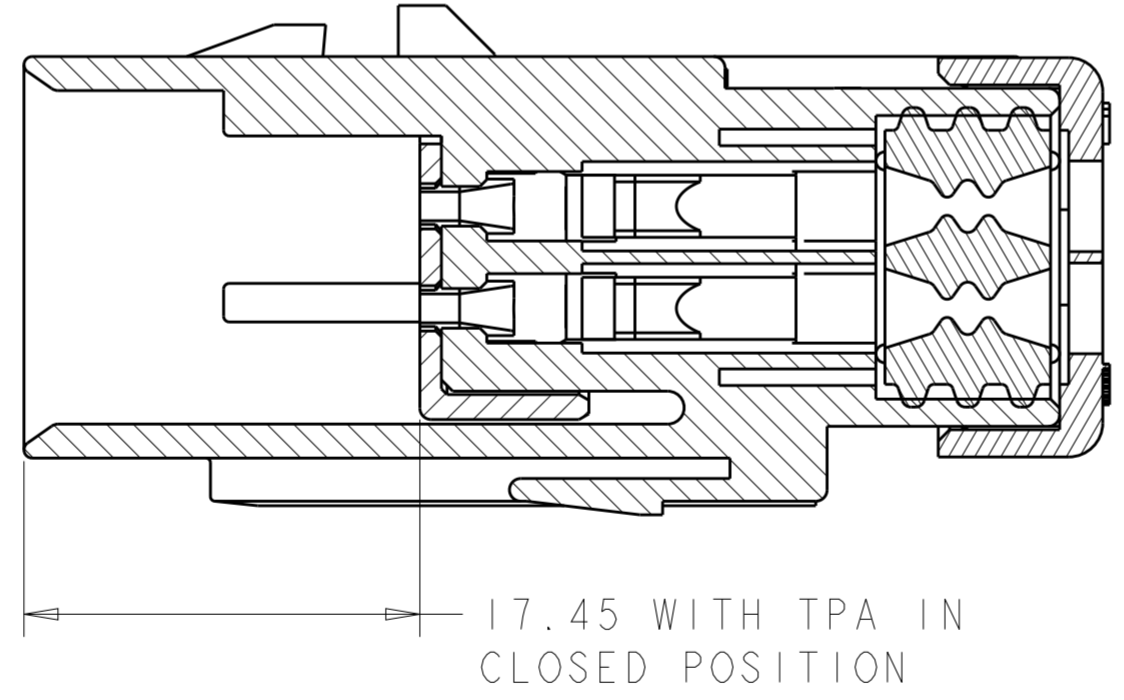
2035381-1 SHOWN
 ORANGE TPA
 KEY A

SECTION A-A
 OPEN POSITION

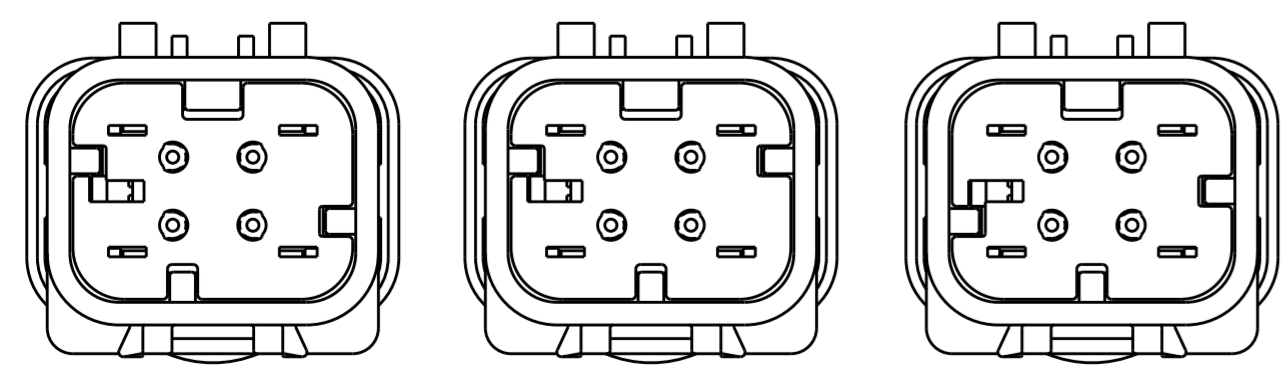


SCALE 2:1

SCALE 2:1



SECTION A-A
 CLOSED POSITION



2035381-2
 PURPLE TPA
 KEY B
 SCALE 2:1

2035381-3
 BLUE TPA
 KEY C
 SCALE 2:1

2035381-4
 TAN TPA
 KEY D
 SCALE 2:1

D	TAN	2035381-4
C	BLUE	2035381-3
B	PURPLE	2035381-2
A	ORANGE	2035381-1
KEY	TPA COLOR	PART NUMBER

THIS DRAWING IS A CONTROLLED DOCUMENT.		DWN 14 JUL 2009 RUSTY WORTHINGTON	TE Connectivity CAP ASSEMBLY, 4 POSITION, DUAL ROW, AMPSEAL 16 REDUCED DIA WIRE SEAL, VO MATERIAL
DIMENSIONS: mm		CHK 14 JUL 2009 ROGER BALTER	
TOLERANCES UNLESS OTHERWISE SPECIFIED:		APVD 14 JUL 2009 ROGER BALTER	
0 PLC ± 1 PLC ±0.5 2 PLC ±0.30 3 PLC ± 4 PLC ± ANGLES ±1° FINISH -		PRODUCT SPEC 108-2184 APPLICATION SPEC 114-13065 WEIGHT 14±1g	
MATERIAL		SIZE A2	CAGE CODE 00779
		DRAWING NO C-2035381	
CUSTOMER DRAWING		SCALE 3:1	SHEET 1 OF 1 REV B

单击下面可查看定价，库存，交付和生命周期等信息

[>>TE Connectivity\(泰科\)](#)