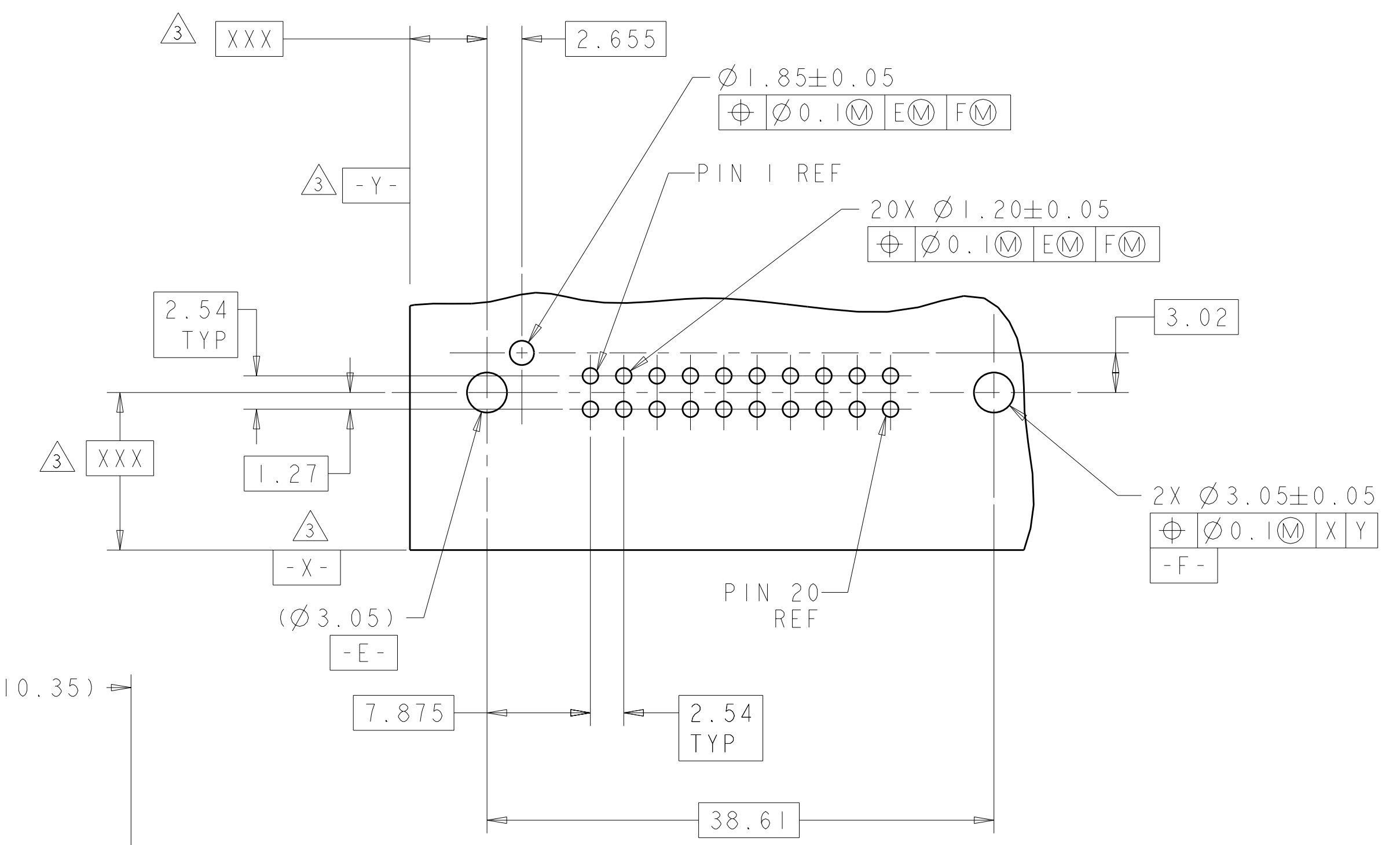
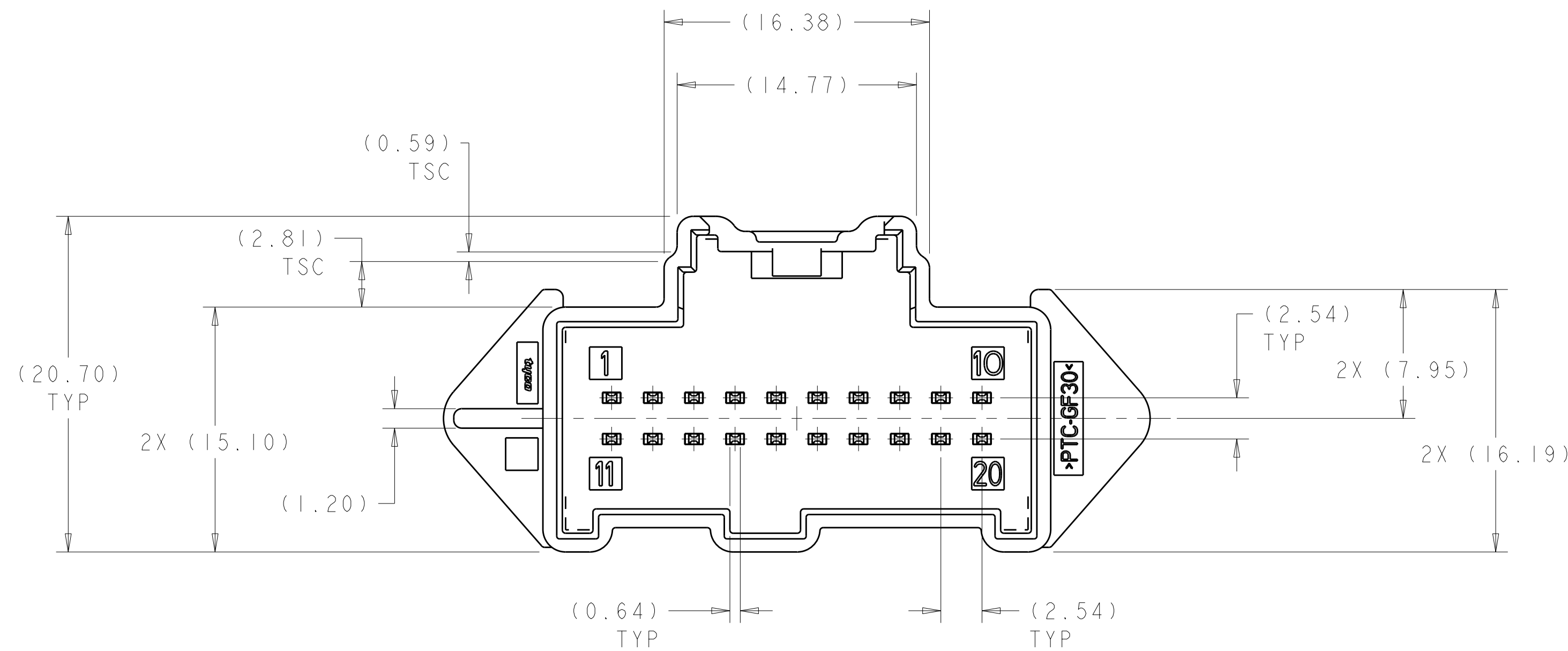
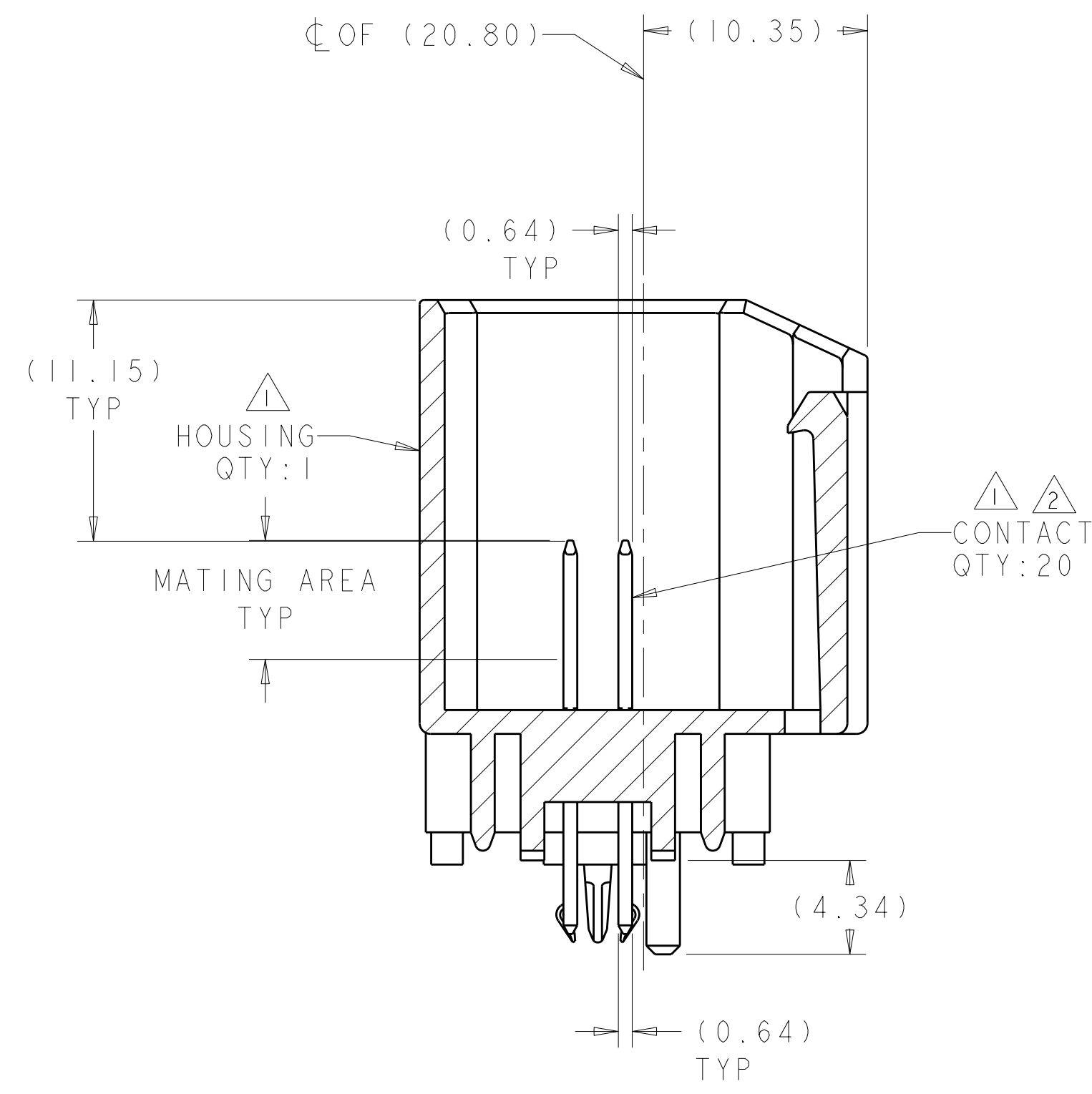
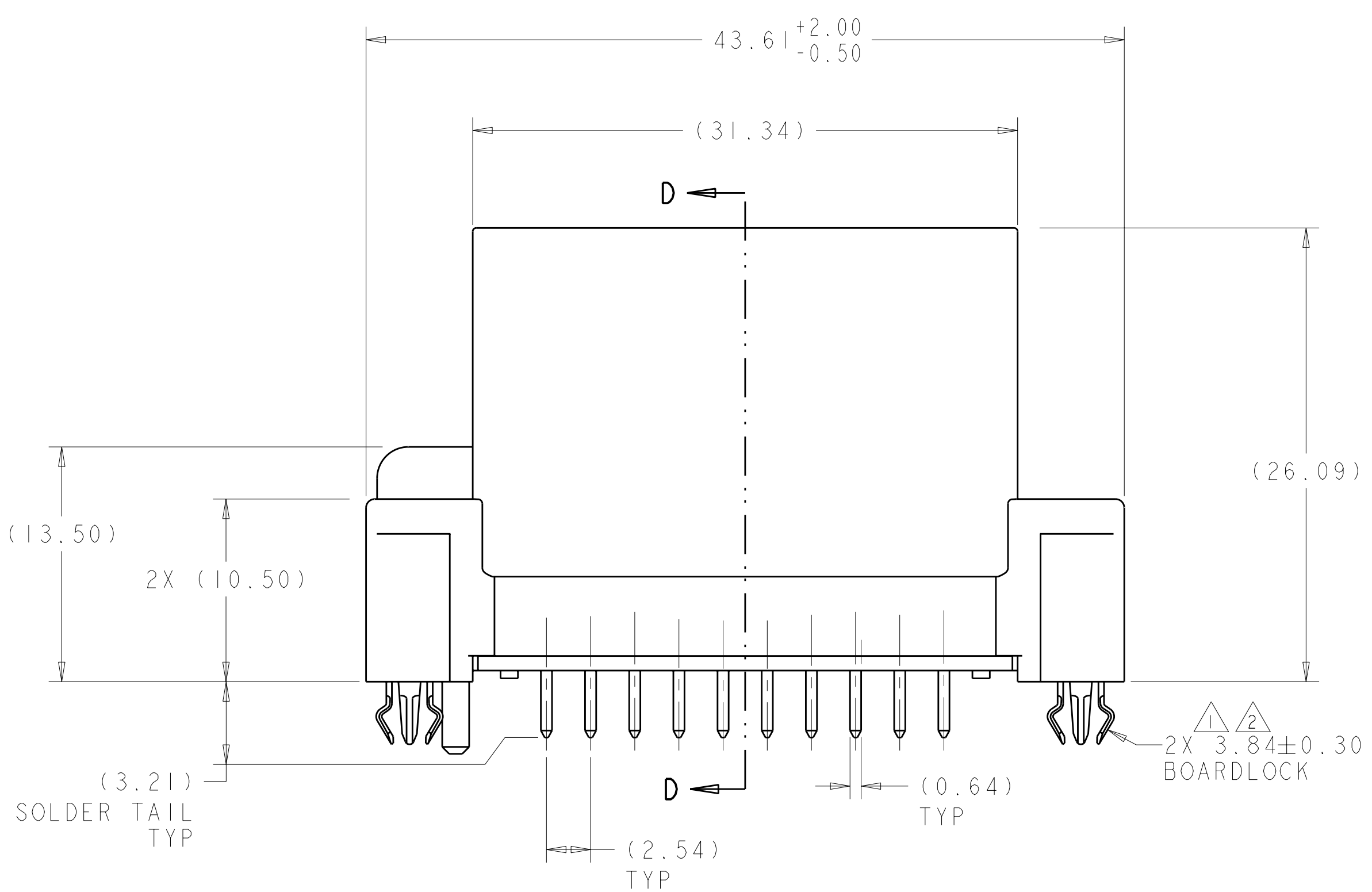


LOC	DIST	REV	DATE	BY	CHK	APPD
IN	00					
REVISIONS						
REV	DATE	DESCRIPTION	BY	CHK	APPD	DF
A	26APR2006	REL PER ECO-06-010769				DF
A1	03OCT2006	REVISED PER ECO-06-023267				DF
A2	19OCT2009	REVISED PER ECO-09-023496				CJS

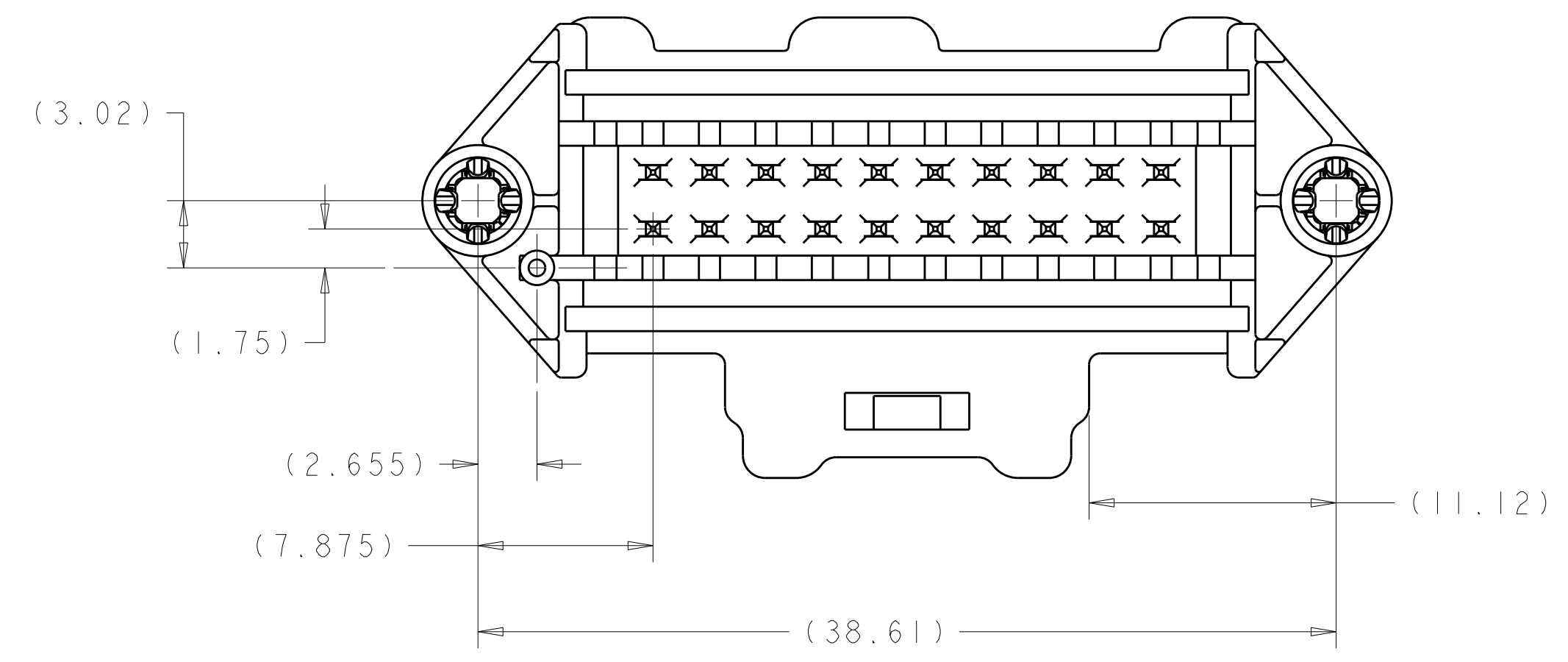


RECOMMENDED
 PC BOARD LAYOUT
 1.57 THK PC BOARD
 SCALE 3:1



SECTION D-D

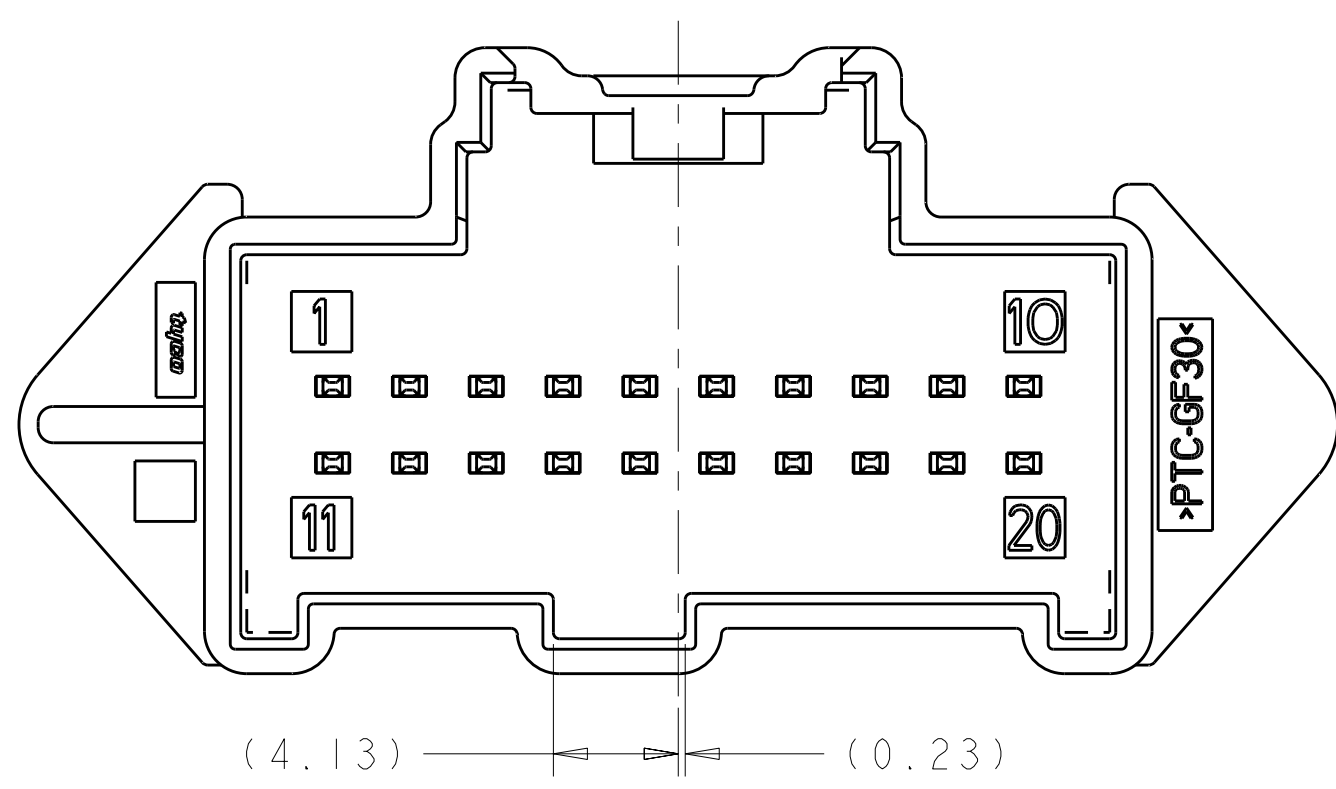
- △ HOUSING: PCT, COLOR - BLACK
 CONTACTS & BOARDLOCKS: COPPER ALLOY
- △ CONTACT: 1.5 μ m MIN TIN IN MATING AREA AND 2.5 μ m MIN TIN IN SOLDER TAIL ALL OVER 2.00 μ m MIN NICKEL
 BOARDLOCKS: 3.8 μ m MIN TIN OVER 1.27 μ m MIN NICKEL
- △ DATUMS AND BASIC DIMENSIONS ESTABLISHED BY THE CUSTOMER
- △ PRELIMINARY - NOT RELEASED FOR PRODUCTION



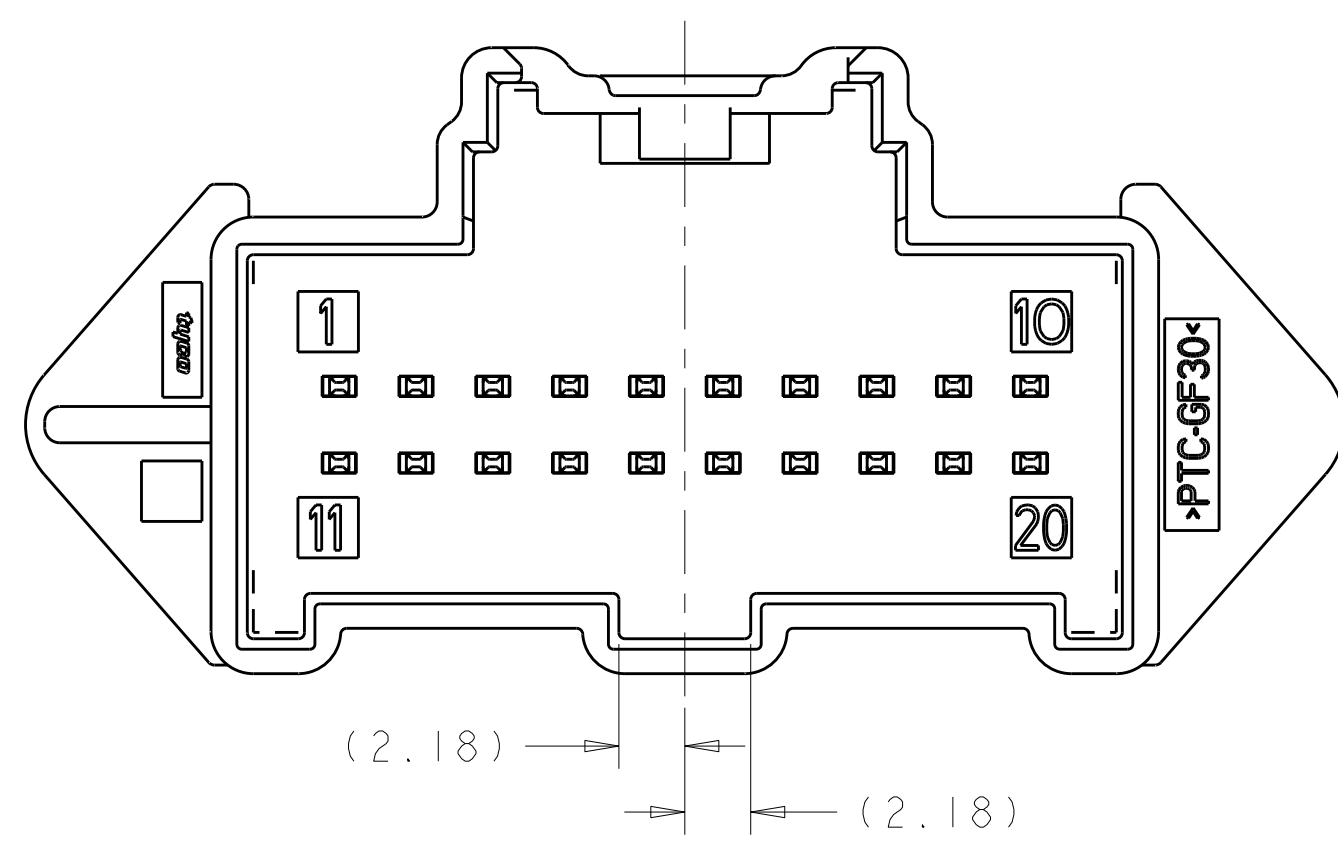
KEYING CODE	PART NUMBER
KEYING CODE "F"	776669-6 △
KEYING CODE "E"	776669-5 △
KEYING CODE "D"	776669-4 △
KEYING CODE "C"	776669-3 △
KEYING CODE "B"	776669-2 △
KEYING CODE "A"	776669-1 △

DIMENSIONS: mm TOLERANCES UNLESS OTHERWISE SPECIFIED: 9 PLC ± 1 PLC ±0.10 5 PLC ± 4 PLC ± ANGLES ± MATERIAL: △ FINISH: SEE CALL OUT		DWN: H. MOLL 04APR2005 CHK: D. FRY 04APR2005 APPD: D. FRY 04APR2005 PRODUCT SPEC: - APPLICATION SPEC: - WEIGHT: - CUSTOMER DRAWING	Tyco Electronics Harrisburg, PA 17105-3608 NAME: HEADER ASSEMBLY, 2x10, UNSEALED, VERTICAL, WITH BOARDLOCKS, USCAR SIZE: A1100779 CAGE CODE: C=776669 SCALE: 3:1 SHEET: 1 OF 2 REV: A2
---	--	--	---

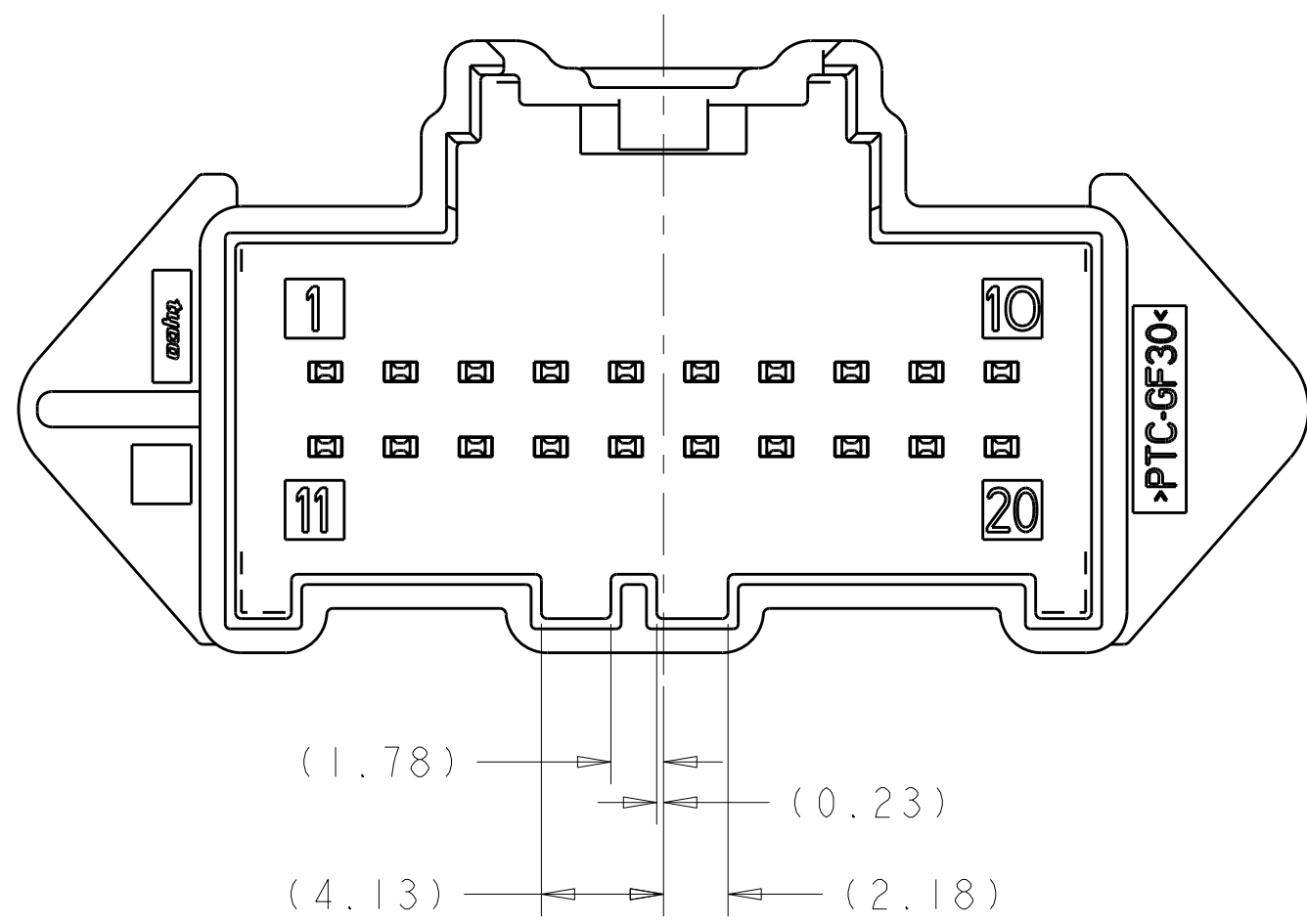
LOC	DIST	REV	DATE	BY	APPD	
1N	00					
REV		LTG	DESCRIPTION	DATE	DWN	APPD
		-	SEE SHEET 1	-	-	-



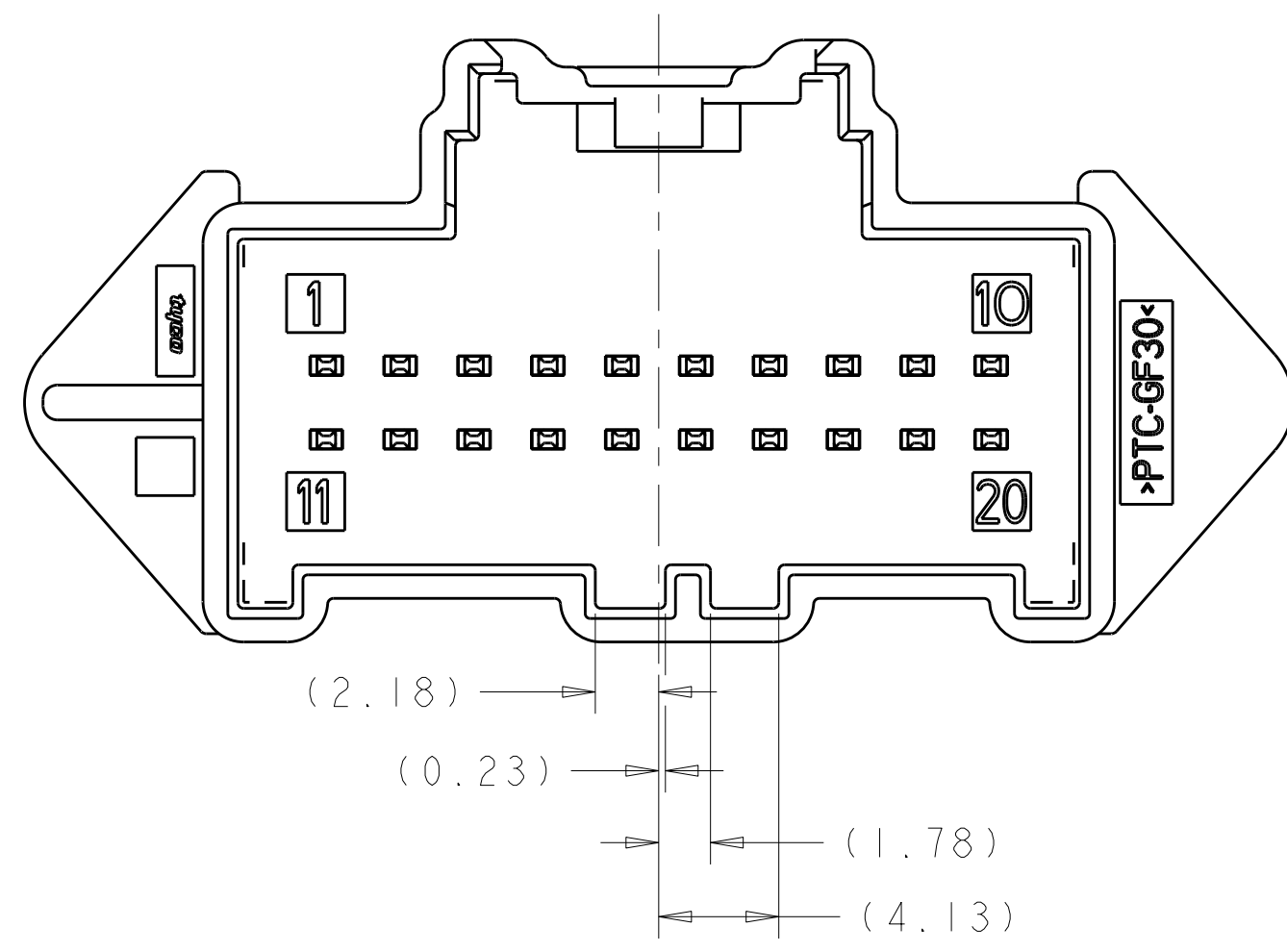
KEYING CODE "A"
SCALE 4:1



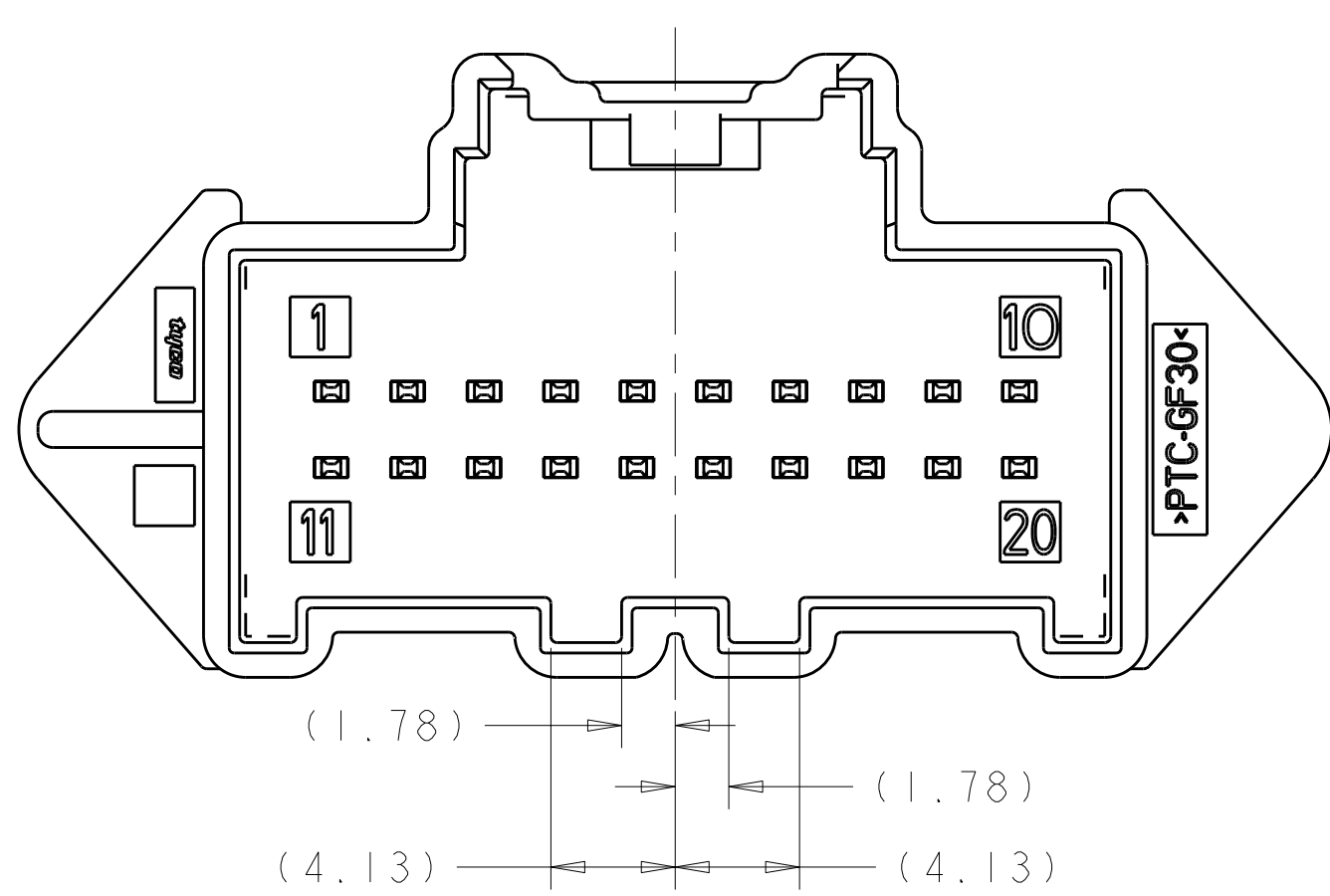
KEYING CODE "B"
SCALE 4:1



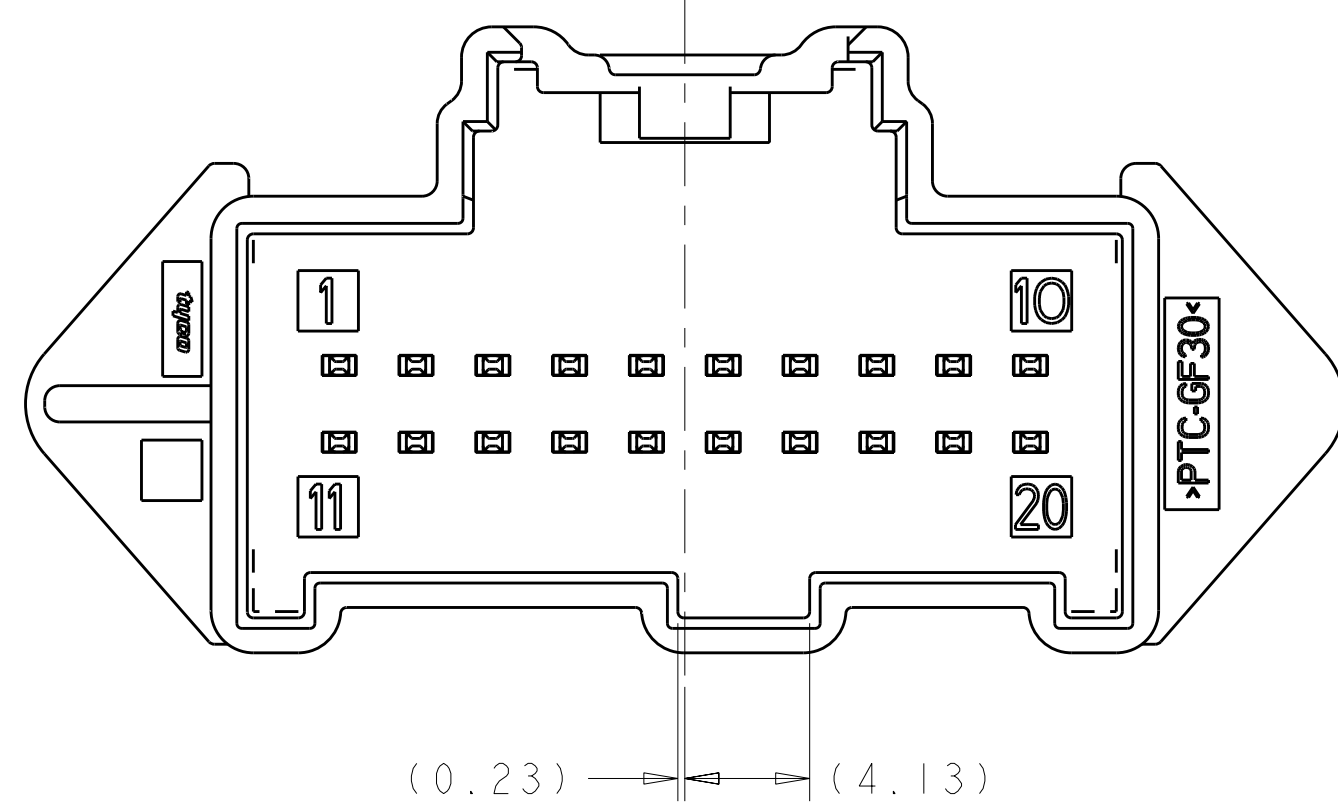
KEYING CODE "C"
SCALE 4:1



KEYING CODE "D"
SCALE 4:1



KEYING CODE "E"
SCALE 4:1



KEYING CODE "F"
SCALE 4:1

<small>THIS DRAWING IS UNPUBLISHED. RELEASED FOR PUBLICATION. IT IS SUBJECT TO CHANGE WITHOUT NOTICE. THE USER SHALL BE RESPONSIBLE FOR VERIFYING THE DIMENSIONS AND TOLERANCES OF THE PARTS AND ASSEMBLIES. CONTACT THE SUPPLIER FOR THE LATEST REVISION.</small>		DWN: H. MOLL 04APR2005 CHK: D. FRY 04APR2005 APVD: D. FRY 04APR2005	Tyco Electronics Harrisburg, PA 17105-3608
DIMENSIONS: mm 	TOLERANCES UNLESS OTHERWISE SPECIFIED: 9 PLC ± 1 PLC ±0.10 5 PLC ± 4 PLC ± ANGLES ± FINISH SEE CALL OUT	NAME: HEADER ASSEMBLY, 2x10, UNSEALED, VERTICAL, WITH BOARDLOCKS, USCAR SIZE: A1100779 CAGE CODE: C-776669 DRAWING NO: 776669	RESTRICTED TO: - SCALE: 3:1 SHEET: 2 OF 2 REV: A2
MATERIAL: -		CUSTOMER DRAWING	

单击下面可查看定价，库存，交付和生命周期等信息

[>>TE Connectivity\(泰科\)](#)